

RoHS

This products can apply to the SWB Doc NO. QA-3-04-005 of Environmental&Material Management Rules

RD-1

NOTES:

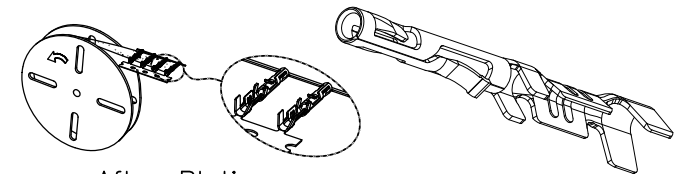
- 1.MATERIAL: BeCu
- 2.Product Specification:PS-1274-01
- 3.Packaging:see SWB drawing: PK-1274T-EXXS-01F

Specifications :

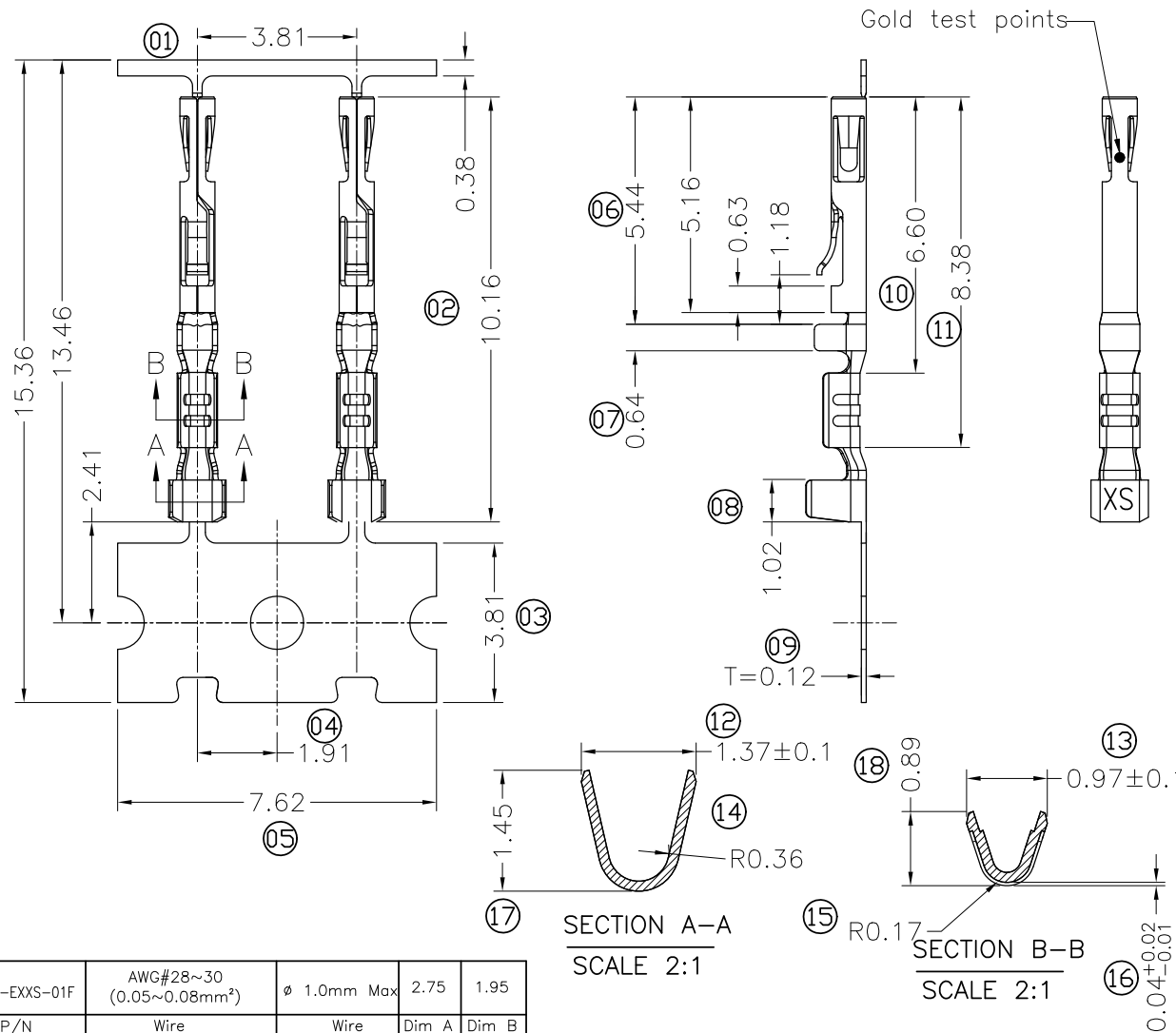
- Voltage rating: 275V AC / DC
- Current rating: 2A AC / DC
- Withstanding voltage: 500V AC/minute
- Temperature range: -25°C~+85°C
- Insulation resistance:≥1000MΩ
- Contact resistance:≤30mΩ
- After environmental testing:≤50mΩ
- Suitable SWB Housing:1274HM

1274 T - E XX S -01F
 ① ② ③ ④ ⑤ ⑥

- ① Series Number
- ② Category: T-terminal
- ③ Material: E-Be Copper
- ④ Plating style:
 35-Underplate: Ni 50u"(1.25um)min overall
 Contact area: Gold 10u"(0.25um)min
 Tin plating area 80u"(2um)min
- ⑤ Plating method: S-Stamping before plating
- ⑥ Sequence Number: 01F



After Plating



1274T-EXXS-01F	AWG#28~30 (0.05~0.08mm ²)	∅ 1.0mm Max	2.75	1.95
P/N	Wire	Wire	Dim A	Dim B

DATE	REV	ECN NO.	DESCRIPTION	MODIFY	APPROVAL
1		2		4	

GENERAL TOLERANCE				APPROVAL	CHECK	DRAWN	DATE	
.X	±0.35							
.XX	±0.25							
.XXX	±0.15							
X.°	±0.2°			PROJECT	Kevin	JohnYang	Jiang	2021/7/13

PART NO. 1274T-EXXS-01F				
TITLE 1.27mm Pitch Crimp Terminal				
UNIT	SCALE	SHEET	REV	NUMBER
mm	6:1	1/1	A	A-000

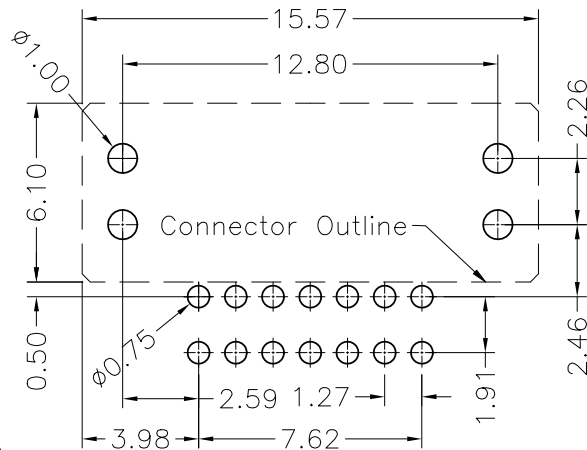
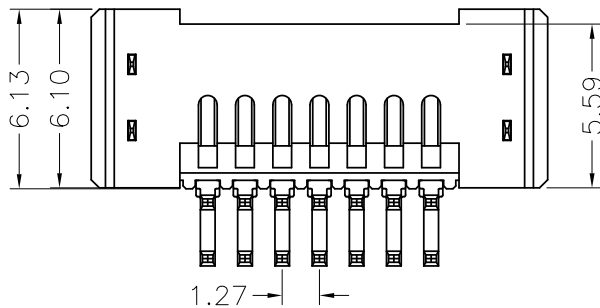
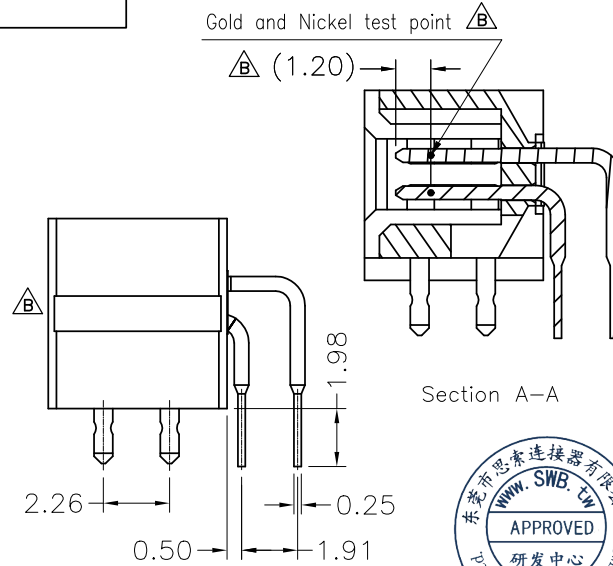
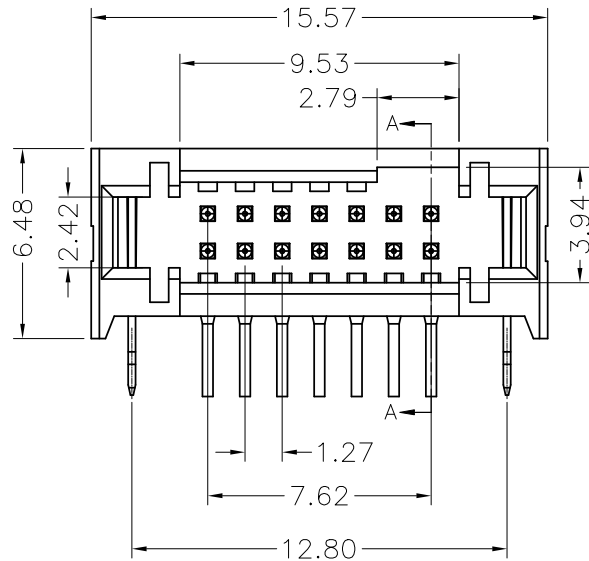


东莞市思索连接器有限公司
 SWB CONNECTORS CO.,LTD

RoHS

This products can apply to the SWB Doc NO. QA-3-04-005 of Environmental&Material Management Rules

RD-1



Recommended P.C.B Layout
General Tolerance ±0.05

Specifications:

- Voltage rating: 275V AC/DC
- Current rating: 2A AC/DC (One pin powered per row)
- Withstanding voltage: 500V AC/minute
- Temperature range: -25°C~+85°C
- Insulation resistance: ≥1000MΩ
- Contact resistance: ≤30mΩ
- After environmental testing: ≤50mΩ
- Material(Pin): Phosphor Copper
- Mates With SWB Housing: 1274HM

1274 W R - 2x07 - LP X P XX X H 001F
① ② ③ ④ ⑤ ⑥ ⑦ ⑧ ⑨ ⑩ ⑪

- ① Series No.
- ② Category: W-wafer
- ③ Connector Type: R-Right Angle 90°
- ④ Row No.-Pin No: 2x07-Double Row x 07 Pin
- ⑤ Plastic material: LP- LCP UL94V-0
- ⑥ Color: N-Natural; B-Black;
- ⑦ Metal material: P-Phosphor Copper
- ⑧ Plating Code:
32-Underplate:Ni 50 u"(1.25um)min overall
Contact area:Gold 15 u"min
Other area:Matte Sn 100u" (2.5um)min
35-Underplate:Ni 50 u"(1.25um)min overall
Contact area:Gold 10 u"min
Other area:Matte Sn 100u" (2.5um)min
30-Underplate:Ni 50 u"(1.25um)min overall
Contact area:Gold Flash
Other area:Matte Sn 100u" (2.5um)min
09-Underplate:Ni 50 u"(1.25um)min overall
Top plating:Matte Sn 80~200u"(2~5um) overall
- ⑨ Packing: G-Tube ; R-Reel
- ⑩ RoHS/HF Code: H-Halogen-Free
- ⑪ Sequence Number: 001F

NOTES:

- 1.Pin/Welding TABS Retention Force: 3.43N(0.35kgf)Min.
- 2.Mating Force: 4.4lbs (2.0kgf) Max;
Un-mating Force(Without Latch): 0.33lbs(0.15kgf) Min;
Un-mating Force(With Latch): 3.3lbs(1.5kgf) Min;

A	2019/11/10	c	/	Add Plating and Packing Code	TengMin	Harvey Yan	东莞市思索连接器有限公司 SWB CONNECTORS CO.,LTD	PART NO. 1274WR-2x07-LPXPXXH001F								
	2019/04/29	B	/	Revised Dimension	Hu Chuan	Harvey Yan		APPROVAL	CHECK	DRAWN	DATE	TITLE 1.27mm Pitch DIP Wafer				
	DATE	REV	ECN NO.	DESCRIPTION	MODIFY	APPROVAL	PROJECT	Kim Huang	Harvey Yan	Hu Chuan	2020/04/07	UNIT	SCALE	SHEET	REV	NUMBER
	1		2	3	4	5						mm	4:1	1/1	C	A-000

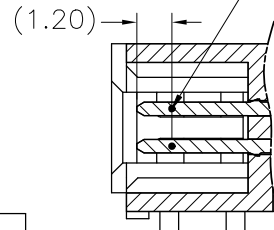
RoHS

This products can apply to the SWB Doc NO. QA-3-04-005 of Environmental&Material Management Rules

RD-1



Gold and Nickel test point



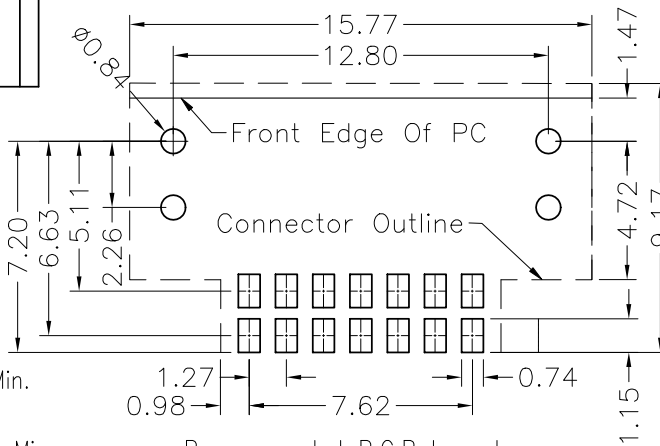
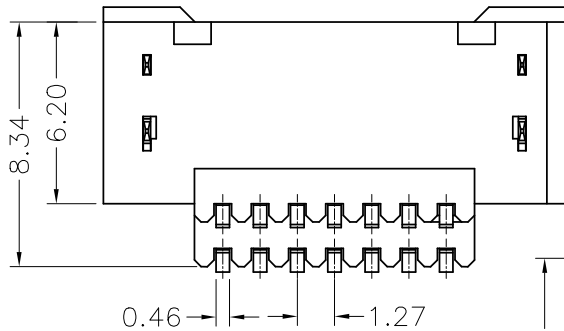
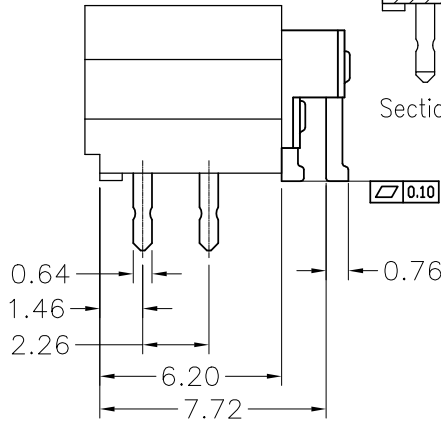
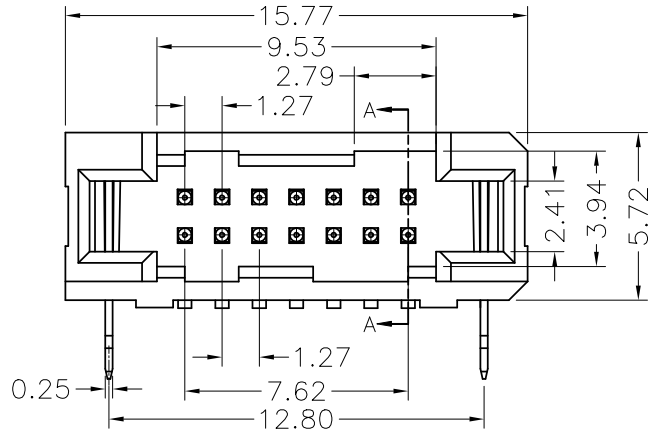
Section A-A

Specifications:

- Voltage rating: 275V AC/DC
- Current rating: 2A AC/DC
(One pin powered per row)
- Withstanding voltage: 500V AC/minute
- Temperature range: -25°C~+85°C
- Insulation resistance: ≥1000MΩ
- Contact resistance: ≤30mΩ
- After environmental testing: ≤50mΩ
- Material(Pin): Phosphor Copper
- Mates With SWB Housing: 1274HM

1274 W R S - 2x07 - LP X P XX R H 001F
① ②③④ ⑤ ⑥⑦⑧⑨⑩⑪ ⑫


- ① Series No.
- ② Category: W-wafer
- ③ Connector Type: R-Right Angle 90°
- ④ Mounting Type: S-SMT
- ⑤ Row No.-Pin No: 2x07-Double Row x 07 Pin
- ⑥ Plastic material: LP- LCP UL94V-0
- ⑦ Color: N-Natural; B-Black;
- ⑧ Metal material: P-Phosphor Copper
- ⑨ Plating Code:
35-Underplate:Ni 50 u"(1.25um)min overall
Contact area:Gold 10 u"min
Other area:Matte Sn 100u" (2.5um)min
△32-Underplate:Ni 50 u"(1.25um)min overall
Contact area:Gold 15 u"min
Other area:Matte Sn 100u" (2.5um)min
△30-Underplate:Ni 50 u"(1.25um)min overall
Contact area:Gold Flash
Other area:Matte Sn 100u" (2.5um)min
△09-Underplate:Ni 50 u"(1.25um)min overall
Top plating:Matte Sn 80~200u"(2~5um) overall
- ⑩ Packing: R-Reel
- ⑪ RoHS/HF Code: H-Halogen-Free
- ⑫ Sequence Number: 001F



Recommended P.C.B Layout
General Tolerance±0.05

NOTES:

- 1.Pin/Welding TABS Retention Force: 3.43N(0.35kgf)Min.
- 2.Mating Force: 4.4lbs (2.0kgf) Max;
Un-mating Force(Without Latch): 0.33lbs(0.15kgf) Min;
Un-mating Force(With Latch): 3.3lbs(1.5kgf) Min;

					GENERAL TOLERANCE		 东莞市思索连接器有限公司 SWB CONNECTORS CO.,LTD				PART NO.				
					.X ±0.35						1274WRS-2x07-LPXPXRH001F				
					.XX ±0.25		APPROVAL				TITLE				
					.XXX ±0.15						CHECK				1.27mm Pitch SMT Wafer
					X.° ±0.2°		DRAWN				DATE				
					PROJECT						DATE				2020/04/07
					PROJECT		Kim Huang Harvey Yan Hu Chuan				UNIT				
					APPROVAL						NUMBER				mm
					APPROVAL		Harvey Yan Hu Chuan				SCALE				
					APPROVAL						SHEET				4:1
					APPROVAL		Harvey Yan Hu Chuan				REV				
					APPROVAL						NUMBER				C
					APPROVAL		Harvey Yan Hu Chuan				REV				
					APPROVAL						NUMBER				A-082