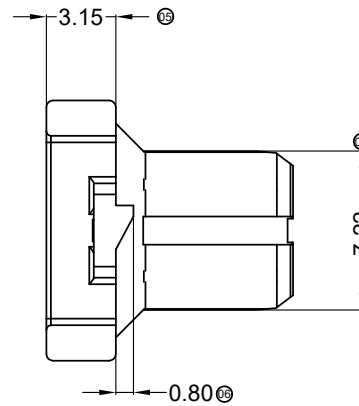
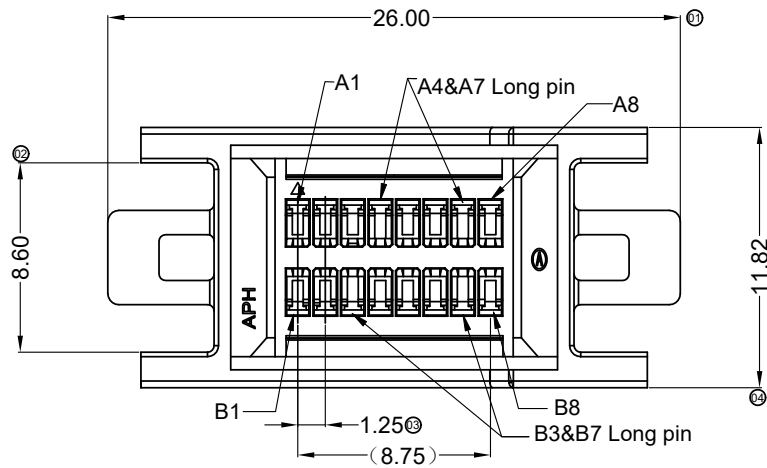


RoHS

This products can apply to the SWB Doc NO. QA-3-04-005 of Environmental&Material Management Rules



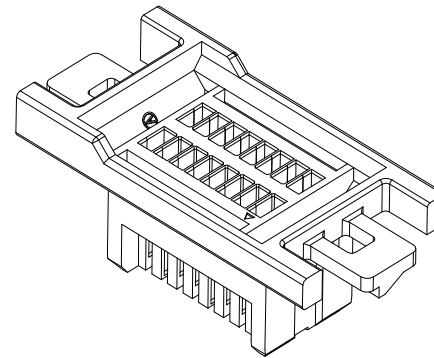
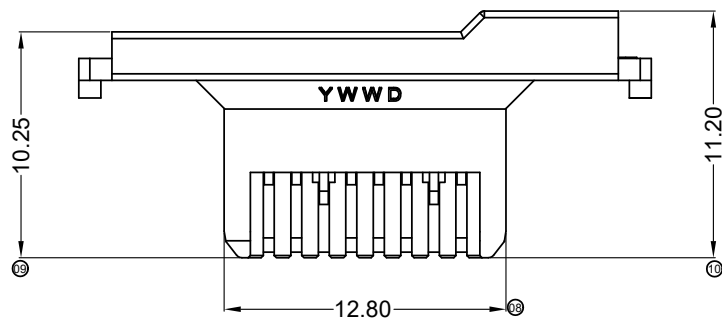
■ Specifications :

- Voltage rating: 100V AC / DC
- Current rating: 2.8A AC / DC
- Withstanding voltage: 250V AC/minute
- Temperature range: -25°C~+85°C
- Insulation resistance: ≥500MΩ
- Contact resistance: ≤20mΩ
- After environmental testing: ≤40mΩ
- Mates With SWB Terminal 1256T

1256 H M - 2*08 - N0 B B H 01 F

① ②③ ④ ⑤ ⑥⑦⑧⑨⑩

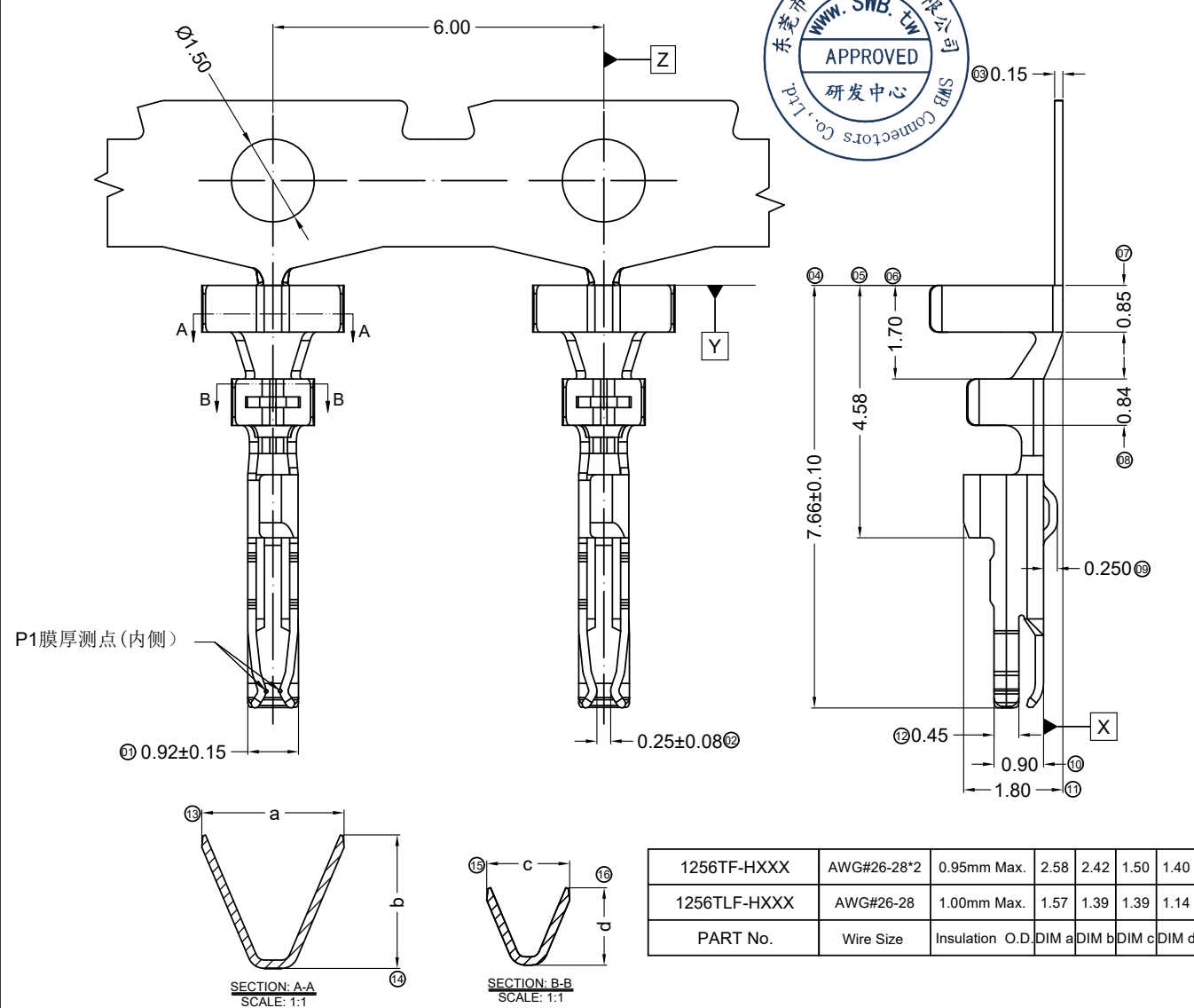
- ① NoSeries encoding: 1256
- ② Category: H-Housing
- ③ Product Form Coding: M-Male
- ④ Pin Number.: 2*08 Pin;
- ⑤ material quality: N0-PA66 94V-0
- ⑥ Color code: B-Black
- ⑦ Packaging code: B- Bag
- ⑧ Environmental Code: H-Halogen-free
- ⑨ Fluid code: 01-99
- ⑩ Non-vehicle codes: F



					GENERAL TOLERANCE .X ±0.30 .XX ±0.20 .XXX ±0.10 X° ±2° PROJECT 				东莞市思索连接器有限公司 SWB CONNECTORS CO.,LTD APPROVAL CHECK DRAWN DATE Mike Chen 2019/07/09				PART NO. 1256HM-2*08-N0BBH01F TITLE 1.25mm Crimp Style Connectors				
20-08-12	B	EN20200429002	update Specifications	Joshua	Joshua					UNIT	SCALE	SHEET	REV	NUMBER			
DATE	REV	ECN NO	DESCRIPTION	MODIFY	APPROVAL					mm	1:1	1/1	B	A-022			

RoHS

This products can apply to the SWB Doc NO. QA-3-04-005 of Environmental&Material Management Rules



Specifications :

- Voltage rating: 100V AC / DC
- Current rating: 2.8A AC / DC
- Withstanding voltage: 250V AC/minute
- Temperature range: -25°C~+85°C
- Insulation resistance: ≥500MΩ
- Contact resistance: ≤20mΩ
- After environmental testing: ≤40mΩ
- Wire Range: See Below Table
- Insulation O.D: 1.00mm(Max)
- Mates With SWB Housing: 1256H

1256 TX F -H XXX X

- ① Series Number: 1256
- ② Category: T- Ordinary Crimp Terminal
TH- High Crimp Terminal TL- Low Crimp Terminal
- ③ Shape: F- Female
- ④ Material: H-High conductivity copper
- ⑤ Plating style:
SW1-Matte Tin 100u"Min.; Ni 50u"Min.
V01-Gold Flash Plated ; Ni 50u"Min.
V05-Contact Area gold 5u"Min.;Other Area G/F Ni 50u"Min.
V10-Contact Area gold 10u"Min.;Other Area G/F Ni 50u"Min.
V15-Contact Area gold 15u"Min.;Other Area G/F Ni 50u"Min.
V30-Contact Area gold 30u"Min.;Other Area G/F Ni 50u"Min.
- ⑥ Electroplating way:
Blank-Stamping Before Plating
B-Plating Before Plating

1256TF-HXXX	AWG#26-28*2	0.95mm Max.	2.58	2.42	1.50	1.40
1256TLF-HXXX	AWG#26-28	1.00mm Max.	1.57	1.39	1.39	1.14
PART No.	Wire Size	Insulation O.D	DIM a	DIM b	DIM c	DIM d

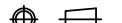
SECTION: A-A
SCALE: 1:1

SECTION: B-B
SCALE: 1:1

GENERAL TOLERANCE

- .X ±0.30
- .XX ±0.20
- .XXX ±0.10
- X.° ±2°

PROJECT



东莞市思索连接器有限公司
SWB CONNECTORS CO.,LTD

PART NO. 1256TXF-HXXXX

TITLE 1.25mm Crimp Style Terminal

UNIT	SCALE	SHEET	REV	NUMBER
mm	1:1	1/1	A	A-000

DATE	REV	ECN NO.	DESCRIPTION	MODIFY	APPROVAL
1		2	3	4	5

APPROVAL	CHECK	DRAWN	DATE
		Mali	2021/04/27