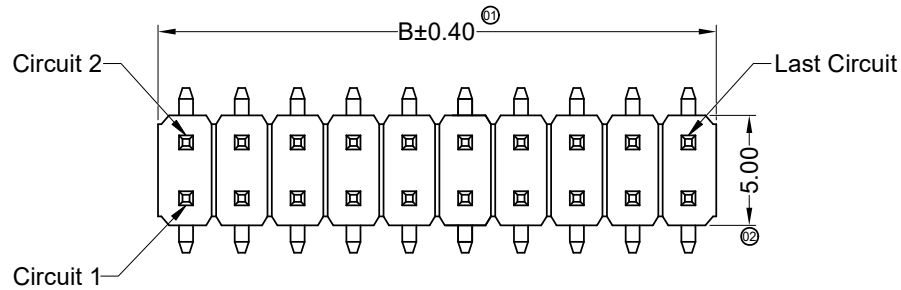


RoHS

This products can apply to the SWB Doc NO. QA-3-04-005 of Environmental&Material Management Rules

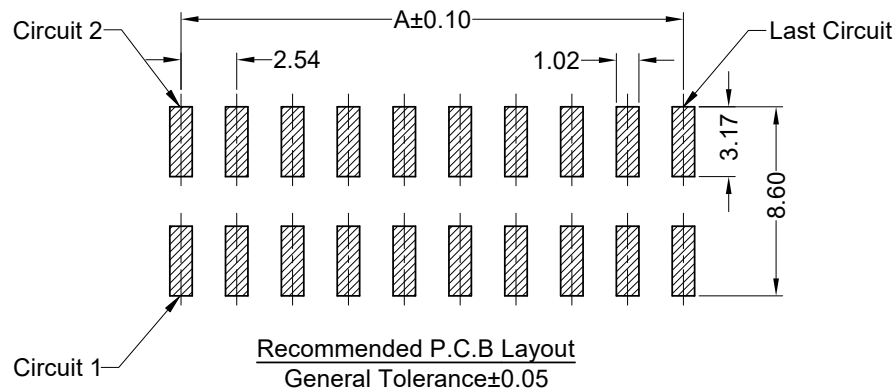
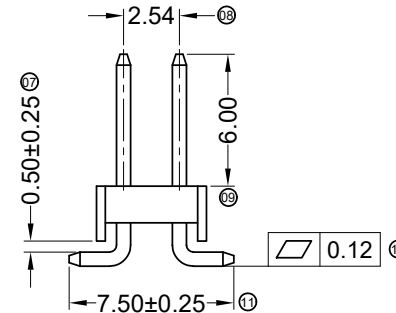
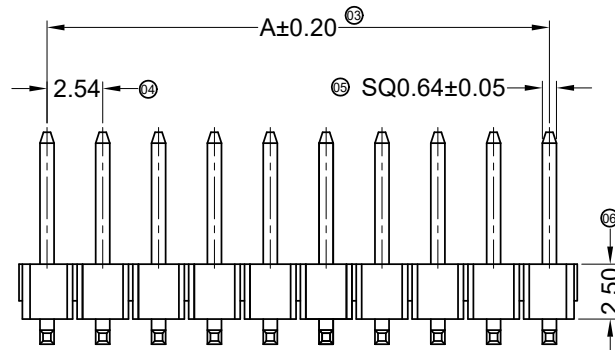


Specifications :

- Voltage rating: 250V AC / DC
- Current rating: 3A AC / DC
- Withstanding voltage: 800V AC/minute
- Temperature range: -40°C~+105°C
- Insulation resistance: ≥1000MΩ
- Contact resistance: ≤20mΩ
- After environmental testing: ≤30mΩ
- Material(Pin): Brass

6501 W V S-2\*XX X-XX V01 XX -02  
 ① ② ③ ④ ⑤ ⑥ ⑦ ⑧ ⑨ ⑩

- ① Series No.
- ② Category: W-wafer
- ③ Connector Type: V- Straight 180°
- ④ Mounting Type: S-SMT
- ⑤ Row No.-Pin No Per Row: 2\*XX-2\*02P~2\*40P
- ⑥ Special No.: Blank-Ordinary
- ⑦ Material: 6T-PA6T 94V-0 ; 9T-PA9T 94V-0
- ⑧ Plating Code: V01- Gold Flash
- ⑨ Color: Blank-Black Color
- ⑩ 02-6.00/2.50/7.50

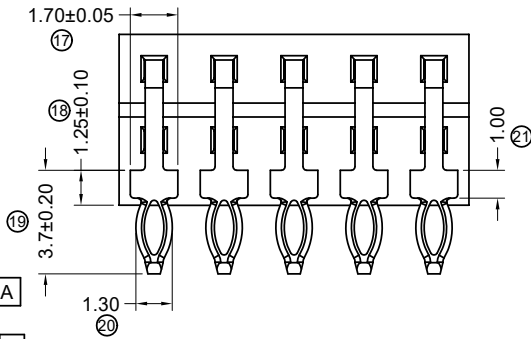
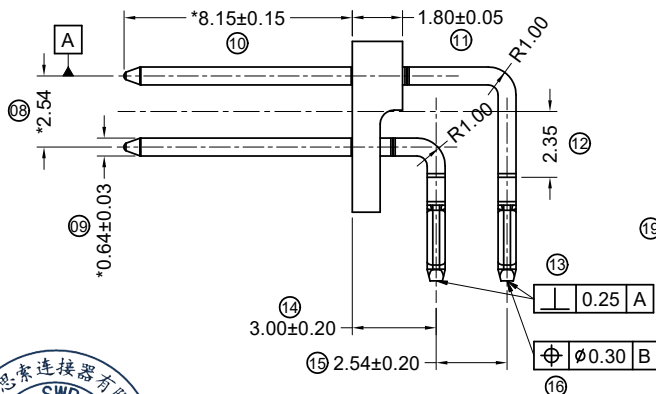
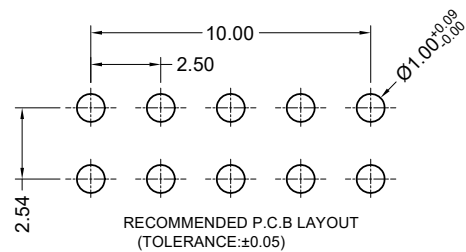
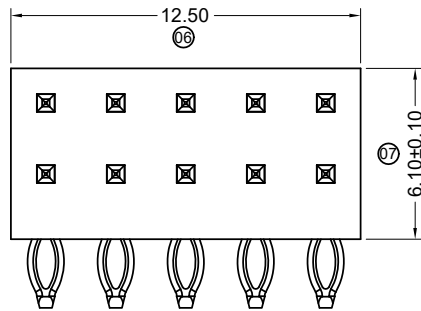
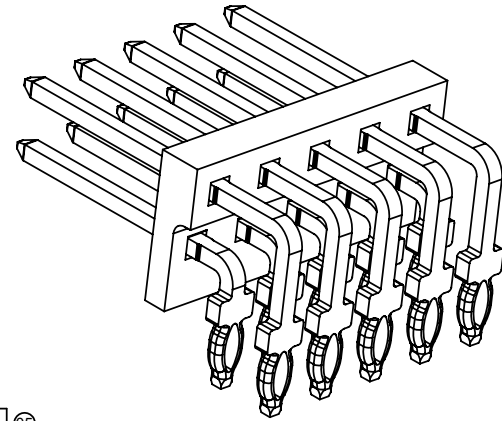
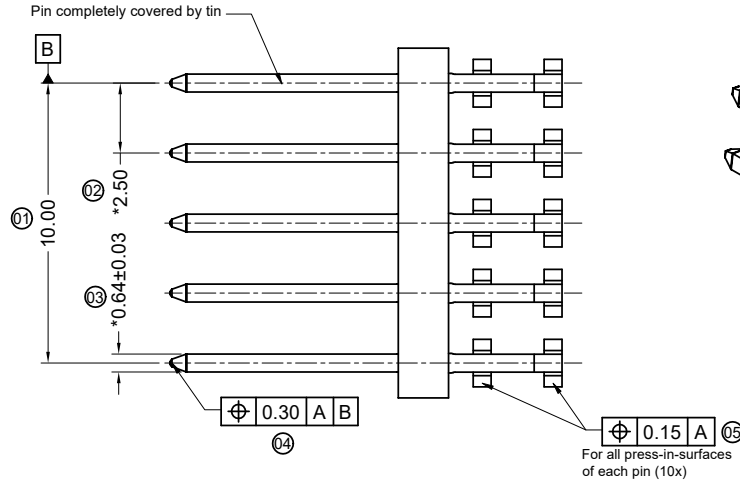
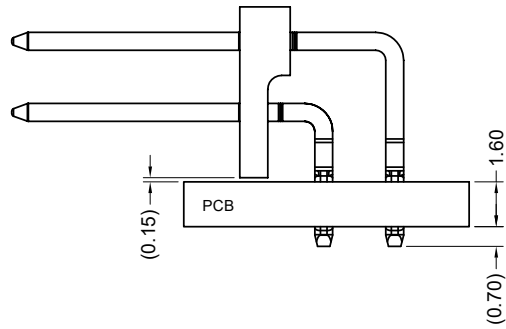


Poles	Dimensions(mm)		Poles	Dimensions(mm)		Poles	Dimensions(mm)	
	A	B		A	B		A	B
2*02	2.54	5.08	2*15	35.56	38.10	2*28	68.58	71.12
2*03	5.08	7.62	2*16	38.10	40.64	2*29	71.12	73.66
2*04	7.62	10.16	2*17	40.64	43.18	2*30	73.66	76.20
2*05	10.16	12.70	2*18	43.18	45.72	2*31	76.20	78.74
2*06	12.70	15.24	2*19	45.72	48.26	2*32	78.74	81.28
2*07	15.24	17.78	2*20	48.26	50.80	2*33	81.28	83.82
2*08	17.78	20.32	2*21	50.80	53.34	2*34	83.82	86.36
2*09	20.32	22.86	2*22	53.34	55.88	2*35	86.36	88.90
2*10	22.86	25.40	2*23	55.88	58.42	2*36	88.90	91.44
2*11	25.40	27.94	2*24	58.42	60.96	2*37	91.44	93.98
2*12	27.94	30.48	2*25	60.96	63.50	2*38	93.98	96.52
2*13	30.48	33.02	2*26	63.50	66.04	2*39	96.52	99.06
2*14	33.02	35.56	2*27	66.04	68.58	2*40	99.06	101.60

					GENERAL TOLERANCE				<b>东莞市思索连接器有限公司</b> <b>SWB CONNECTORS CO.,LTD</b>				PART NO. 6501WVS-2*XX-XXV01-02				
					.X ±0.30								TITLE 2.54 mm Pin Header connectors				
					.XX ±0.20				APPROVAL    CHECK    DRAWN    DATE Robing    Alan qin    Mandy    2019/12/07								
					.XXX ±0.10									UNIT    SCALE    SHEET    REV    NUMBER mm    1:1    1/1    B    A-013			
					X.° ±2°												
					PROJECT												
2020/03/16	B	EN20200316005	Update Drawing Frame	Mandy	Robing												
DATE	REV	ECN NO.	DESCRIPTION	MODIFY	APPROVAL												

RoHS

This products can apply to the SWB Doc NO. QA-3-04-005 of Environmental&Material Management Rules



Electrical properties  
Starting current 4.5A for 3s  
Nominal Current 650mA

Temperature properties:  
Storage temperature: -40°C ~ +90°C  
Operating temperature -40°C ~ +80°C  
Functional temperature: -20°C ~ +60°C

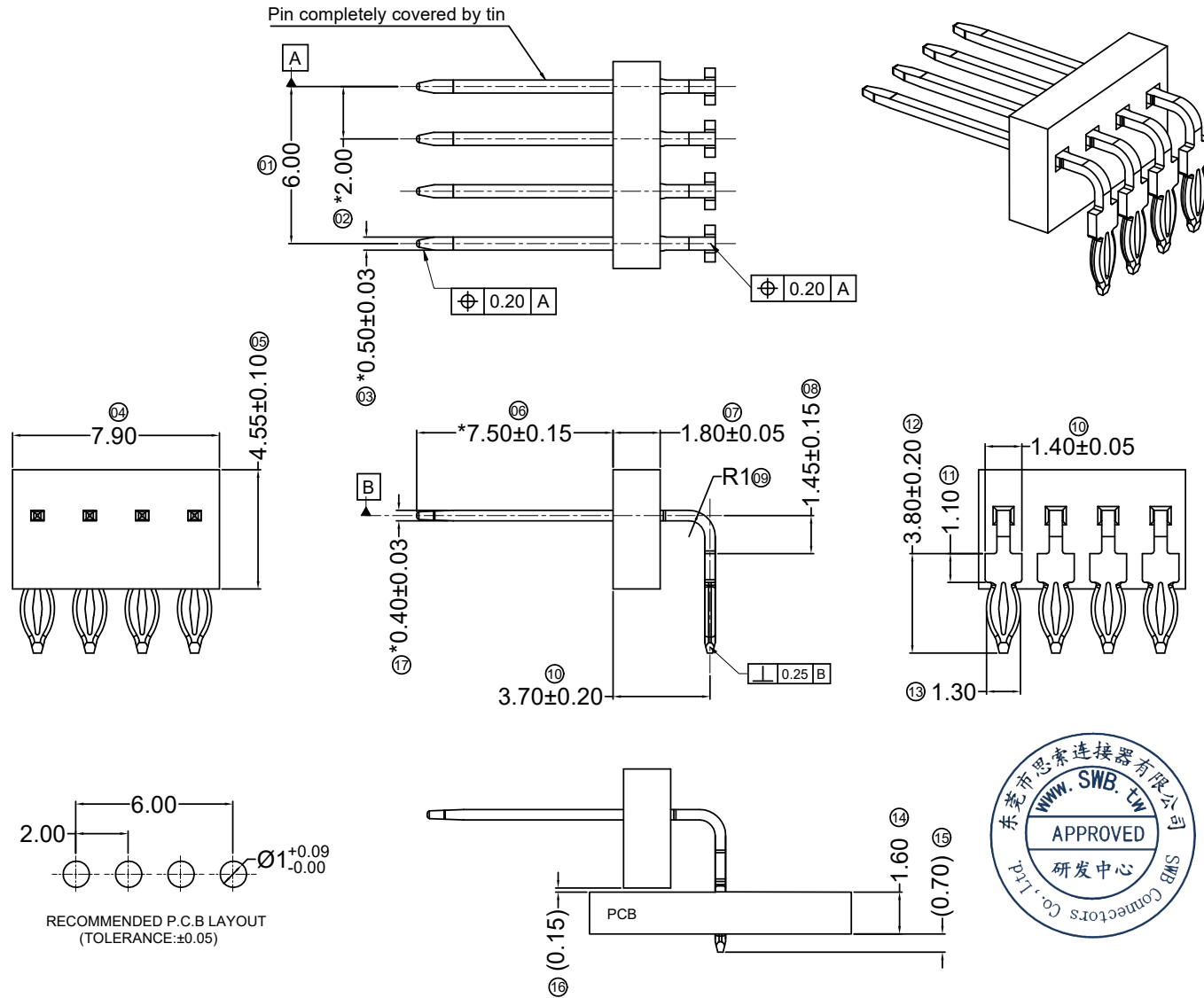
Mechanical properties  
Push out force from plastic before temperature treatment:  
Upper row >= 24N  
Lower row >= 10N  
Assembly force into PCB of each pin: <= 110N  
Push out force from PCB of each pin: >= 20N

Plating:  
0.4-1.5µm Sn over 0.8-1.3µm Ni  
Surface: Matt  
Material:  
Plastic: PA4T UL94V-0, Black color.  
Metall: Cu-Alloy

						<p>GENERAL TOLERANCE</p> <p>.X ±0.30</p> <p>.XX ±0.20</p> <p>.XXX ±0.10</p> <p>X.° ±2°</p>				<p>东莞市思索连接器有限公司</p> <p>SWB CONNECTORS CO.,LTD</p>				<p>PART NO.</p> <p>6503WR-2*05Y-4TSWBKR</p>												
						<p>APPROVAL</p> <p>Robing</p>				<p>CHECK</p> <p>Joshua</p>				<p>DRAWN</p> <p>Alan_qin</p>				<p>DATE</p> <p>2017/08/25</p>				<p>TITLE</p> <p>Pin Header 2 rows 10Pins 90° Press-Fit</p>				
2020/03/16	B	EN20200316004	Update Drawing Frame	Alan qin	Robing	PROJECT		UNIT		SCALE		SHEET		REV		NUMBER										
DATE	REV	ECN NO.	DESCRIPTION	MODIFY	APPROVAL	PROJECT		UNIT		SCALE		SHEET		REV		NUMBER										
1	2	3	4	5	6	7	8	9	10	11	12	13	14	15	16	17	18	19	20	21	22					

RoHS

This products can apply to the SWB Doc NO. QA-3-04-005 of Environmental&Material Management Rules



- Electrical Properties
  - Starting current 4.5A for 3s
  - Nominal Current 650mA
  - Temperature properties:
    - Storage temperature: -40°C ~ +90°C
    - Operating temperature -40°C ~ +80°C
    - Functional temperature: -20°C ~ +60°C
- Mechanical Properties
  - Push our force from plastic before temperature treatment: >= 10N
  - Assembly force into PCB of each pin: <=110N (Goal to achieve <=100N)
  - Push out force from PCB of each pin: >=20N
- Plating:
  - 0.4-1.5µm Sn over 0.8-1.3µm Ni
  - Surface:Matte
- Material:
  - Plastic: PA4T UL94V-0,Black color.
  - Metall: Cu-Alloy

4603 W R X- 04 Y - 4T SW BK R  
 ① ② ③ ④ ⑤ ⑥ ⑦ ⑧ ⑨ ⑩

- ① Series No.
- ② Category: W - wafer
- ③ Connector Type: R - Right Angle 90°
- ④ Mouting Type: Dip - Vacant Code
- ⑤ Row No.-Pin No: 04-4Pin
- ⑥ Special code: Y- fish-eye welding - free construction
- ⑦ Plastic material: 4T- PA4T 94V0 HF
- ⑧ Plating Code: SW - Ni32~52u",Matt-Tin 16~60Uu"
- ⑨ Color: BK- Black;
- ⑩ Packing: R - Reel;



					GENERAL TOLERANCE .X ±0.30 .XX ±0.20 .XXX ±0.10 X.° ±2°				东莞市思索连接器有限公司 SWB CONNECTORS CO.,LTD				PART NO. 4603WR-04Y-4TSWBKR																
					APPROVAL Robing				CHECK YYting				DRAWN Alan_qin				DATE 2017/08/25				TITLE Pin Header 1 rows 4Pins 90° Press-Fit								
2020.7.22	B	ER20200722001	Update Drawing Frame	YYting	Robing																								
DATE	REV	ECN NO.	DESCRIPTION	MODIFY	APPROVAL	PROJECT				UNIT				SCALE				SHEET				REV				NUMBER			
1	2	3	4	5	6	7	8	9	10	11	12	13	14	15	16	17	18	19	20	21	22	23	24	25	26	27	28	29	30

RoHS

This products can apply to the SWB Doc NO. QA-3-04-005 of Environmental&Material Management Rules



Specifications :

- Voltage rating: 250V AC / DC
- Current rating: 2A AC / DC
- Withstanding voltage: 500V AC/minute
- Temperature range: -40°C~+105°C
- Insulation resistance: ≥1000MΩ
- Contact resistance: ≤20mΩ
- After environmental testing: ≤30mΩ
- Material(CAP): PA6T Black Halogen Free
- Mates With SWB 4601FX

4601 W V S - 2\*XX HF- 6T XX XX C-05

① ② ③ ④ ⑤ ⑥ ⑦ ⑧ ⑨ ⑩ ⑪

① Series No.

② Category: W-Wafer

③ Connector Type: V- 180°

④ Mouting Type: S-SMT

⑤ Row No.-Pin No.: 2\*XX-Double Row

⑥ HF-Halogen Free

⑦ Material: 6T-PA6T 94V-0

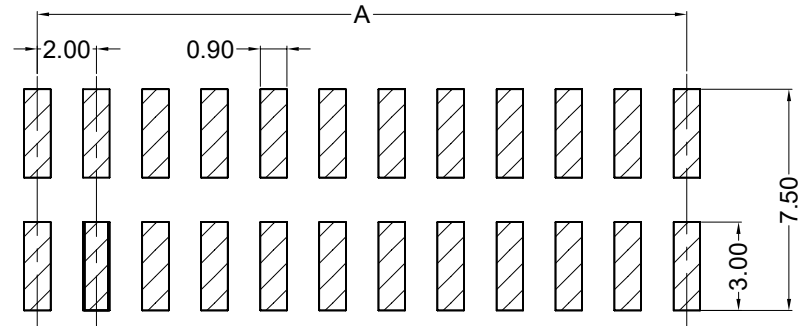
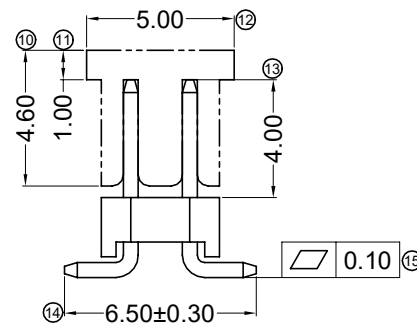
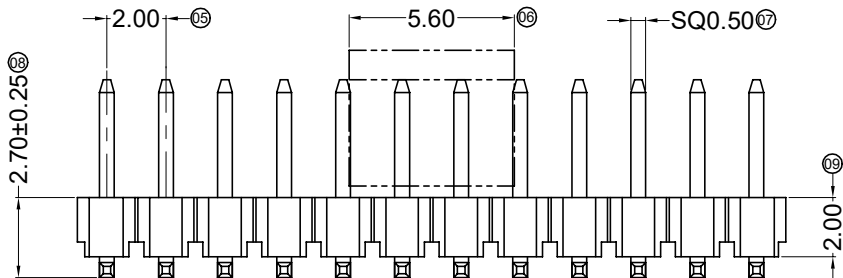
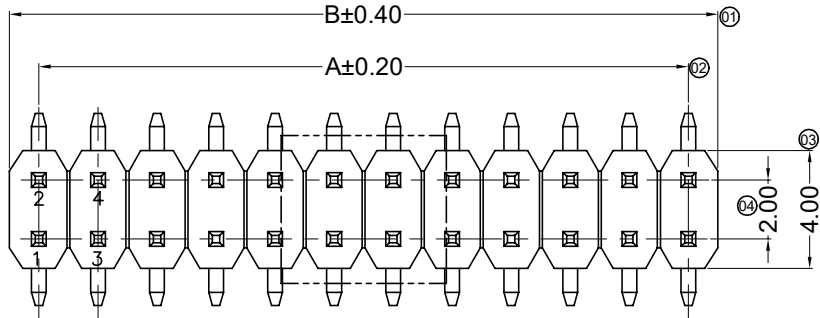
⑧ Plating Category: V01-All Area Gold Flash; Ni 50u" Min.

⑨ Color: Blank-Black Color

⑩ C-With CAP

⑪ 05-4.00/2.00/6.50

Poles	Dimensions (mm)		Poles	Dimensions (mm)		Poles	Dimensions (mm)	
	A	B		A	B		A	B
2*02	2.00	4.00	2*15	28.00	30.00	2*28	54.00	56.00
2*03	4.00	6.00	2*16	30.00	32.00	2*29	56.00	58.00
2*04	6.00	8.00	2*17	32.00	34.00	2*30	58.00	60.00
2*05	8.00	10.00	2*18	34.00	36.00	2*31	60.00	62.00
2*06	10.00	12.00	2*19	36.00	38.00	2*32	62.00	64.00
2*07	12.00	14.00	2*20	38.00	40.00	2*33	64.00	66.00
2*08	14.00	16.00	2*21	40.00	42.00	2*34	66.00	68.00
2*09	16.00	18.00	2*22	42.00	44.00	2*35	68.00	70.00
2*10	18.00	20.00	2*23	44.00	46.00	2*36	70.00	72.00
2*11	20.00	22.00	2*24	46.00	48.00	2*37	72.00	74.00
2*12	22.00	24.00	2*25	48.00	50.00	2*38	74.00	76.00
2*13	24.00	26.00	2*26	50.00	52.00	2*39	76.00	78.00
2*14	26.00	28.00	2*27	52.00	54.00	2*40	78.00	80.00



Recommended P.C.B Layout  
General Tolerance±0.05

					<p>GENERAL TOLERANCE</p> <p>.X ±0.30</p> <p>.XX ±0.20</p> <p>.XXX ±0.10</p> <p>X.° ±2°</p>				<p>APPROVAL</p> <p>CHECK</p> <p>DRAWN</p> <p>DATE</p>				<p>PART NO.</p> <p>4601WVS-2*XXHF-6TXXXXC-05</p>				
					<p>PROJECT</p> <p>APPROVAL</p>				<p>DATE</p> <p>Mali</p> <p>2020/06/23</p>				<p>TITLE</p> <p>2.00 mm Pin Header connectors</p>				
DATE	REV	ECN NO.	DESCRIPTION	MODIFY	APPROVAL					UNIT	SCALE	SHEET	REV	NUMBER			
1										mm	1:1	1/1	A	A-213			

