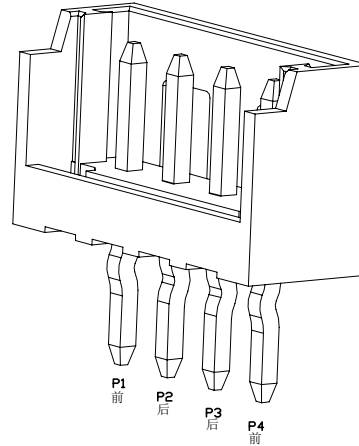
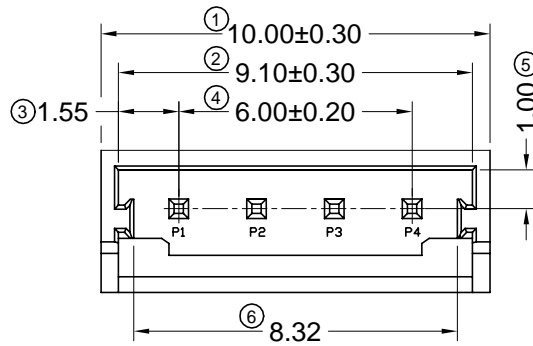


RoHS

This products can apply to the SWB Doc NO. QA-3-04-005 of Environmental&Material Management Rules



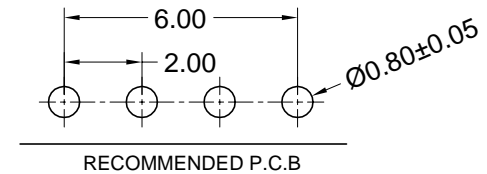
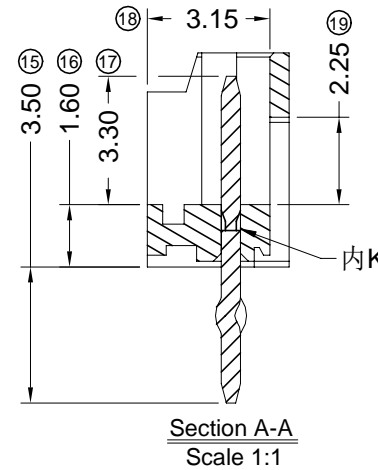
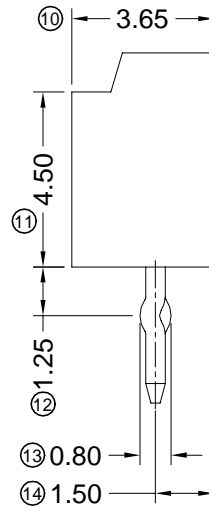
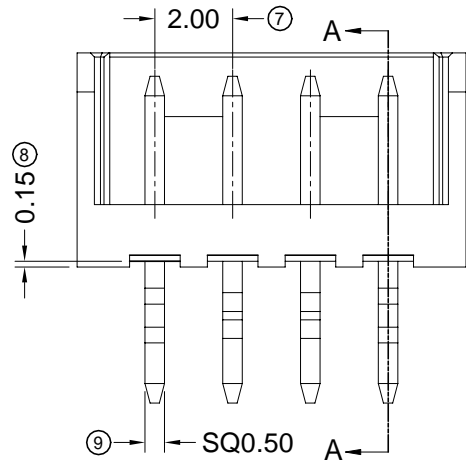
Specifications :

- Voltage rating: 250V AC / DC
- Current rating: 3A AC / DC
- Withstanding voltage: 800V AC/minute
- Temperature range: -25°C~+85°C
- Insulation resistance: ≥1000MΩ
- Contact resistance: ≤10mΩ
- After environmental testing: ≤20mΩ

2018 W V X-1xXX -XX N B 03 X R 001 F

① ② ③ ④ ⑤ ⑥ ⑦ ⑧ ⑨ ⑩ ⑪ ⑫ ⑬

- ① Series No.
- ② Category: W-Wafer
- ③ Welding Board Angle: V-180°
- ④ Welding form: Blank-DIP
- ⑤ Row No.-Pin No.: 1x04-Single Row 1x04P
- ⑥ Plastic material: 46-PA46 94V-0
- ⑦ Color : N-Natural
- ⑧ Metal material: B-Brass
- ⑨ Plating Category: 03-Bright Tin Plating (Ni 50", Tin100μ" Min)
- ⑩ Packag: B-Bag
- ⑪ Green code: R-RoHS
- ⑫ Water code: 001
- ⑬ Special code:F-Other Connectors



GENERAL TOLERANCE

.X ±0.35

.XX ±0.25

.XXX ±0.15

X.° ±2°

PROJECT

⊕ ⊖



东莞市思索连接器有限公司
SWB CONNECTORS CO.,LTD

PART NO.
2018WV-1x04-46NB03BR001F

TITLE
2.00mm Wafer Connector

2020/07/15

B

Update Drawing Frame

Roy.Hu

Robing

APPROVAL

CHECK

DRAWN

DATE

DATE

REV

ECN NO

DESCRIPTION

MODIFY

APPROVAL

Smark Guo

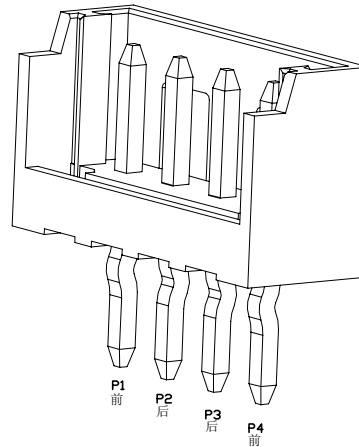
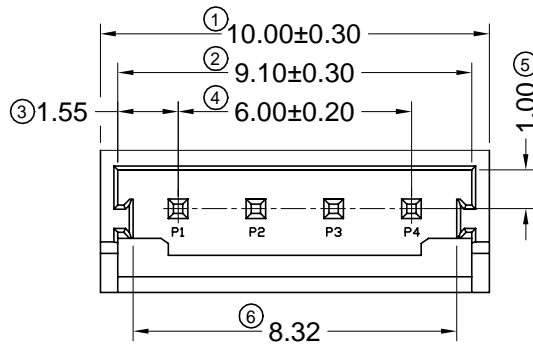
Oneh

2018/08/16

UNIT	SCALE	SHEET	REV	NUMBER
mm	1:1	1/1	B	A-000

RoHS

This products can apply to the SWB Doc NO. QA-3-04-005 of Environmental&Material Management Rules



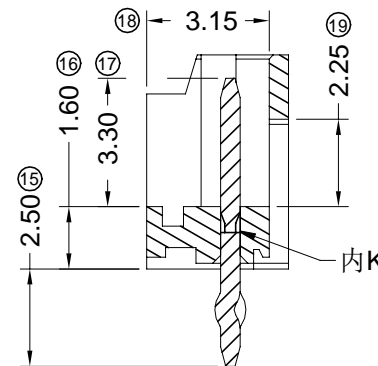
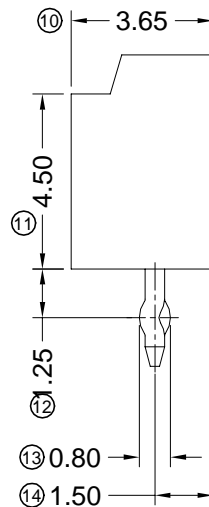
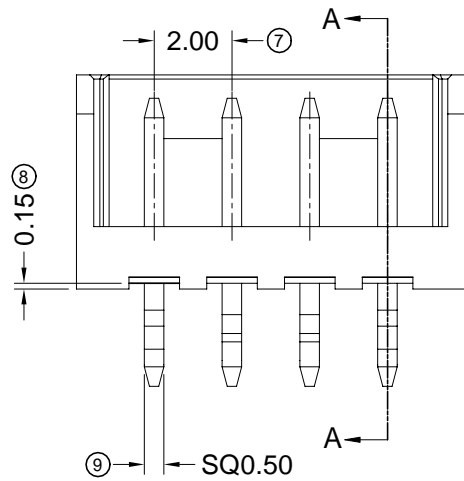
Specifications :

- Voltage rating: 250V AC / DC
- Current rating: 3A AC / DC
- Withstanding voltage: 800V AC/minute
- Temperature range: -25°C~+85°C
- Insulation resistance: ≥1000MΩ
- Contact resistance: ≤10mΩ
- After environmental testing: ≤20mΩ

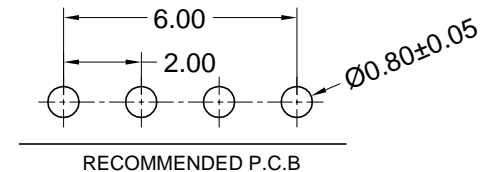
2018 W V X-1xXX -XX N B 03 X R 002 F

① ② ③ ④ ⑤ ⑥ ⑦ ⑧ ⑨ ⑩ ⑪ ⑫ ⑬

- ① Series No.
- ② Category: W-Wafer
- ③ Welding Board Angle: V-180°
- ④ Welding form: Blank-DIP
- ⑤ Row No.-Pin No.: 1x04-Single Row 1x04P
- ⑥ Plastic material: 46-PA46 94V-0
- ⑦ Color : N-Natural
- ⑧ Metal material: B-Brass
- ⑨ Plating Category: 03-Bright Tin Plating (Ni 50", Tin100μ" Min)
- ⑩ Packag: B-Bag
- ⑪ Green code: R-Rohs
- ⑫ Water code: 002
- ⑬ Special code:F-Other Connectors



Section A-A
Scale 1:1



GENERAL TOLERANCE

.X	±0.35
.XX	±0.25
.XXX	±0.15
X.°	±2°

PROJECT



东莞市思索连接器有限公司
SWB CONNECTORS CO.,LTD

PART NO.
2018WV-1x04-46NB03BR002F

TITLE
2.00mm Wafer Connector

2020/07/15	B		Update Drawing Frame	Roy.Hu	Robing
DATE	REV	ECN NO	DESCRIPTION	MODIFY	APPROVAL

APPROVAL	CHECK	DRAWN	DATE
Smark Guo		Oneh	2018/08/16

UNIT	SCALE	SHEET	REV	NUMBER
mm	1:1	1/1	B	A-000