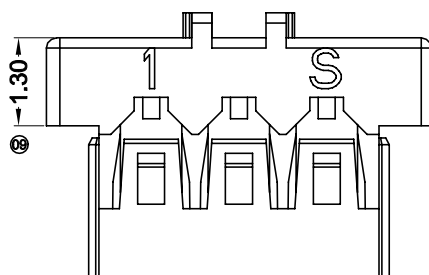
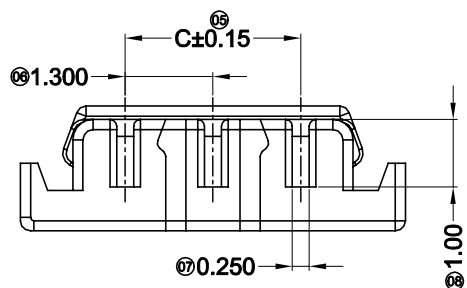
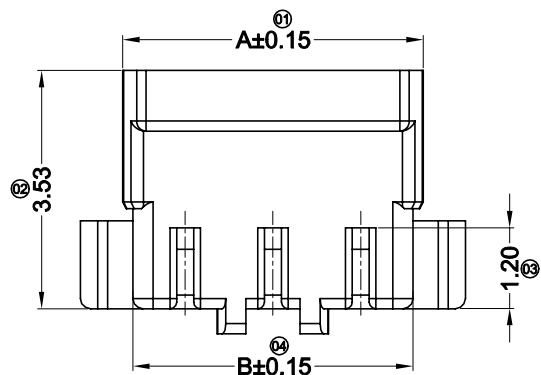
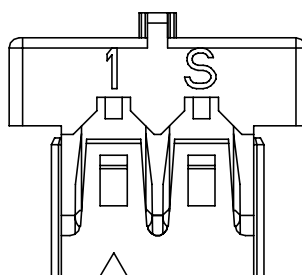
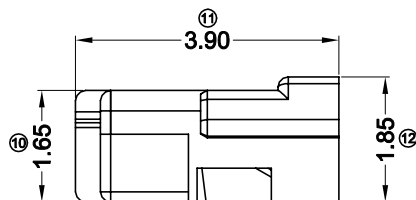
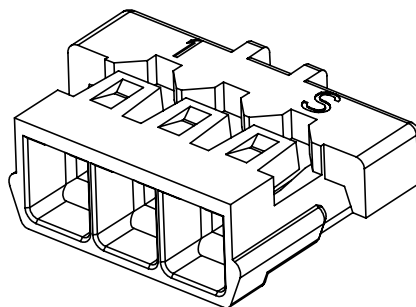


RoHS

This products can apply to the SWB Doc NO. QA-3-04-005 of Environmental&Material Management Rules



3~12Pin Shape



2Pin Shape



Specifications :

- Voltage rating: 30V AC / DC
- Current rating: 3.0A AC / DC
- Withstanding voltage: 500V AC/minute
- Temperature range: -40°C~+105°C
- Insulation resistance: ≥100MΩ
- Contact resistance: ≤20mΩ
- After environmental testing: ≤40mΩ
- Suitable SWB Terminal: 1300T
- Suitable SWB Wafer: 1300WRS

1300 H X-1xXX- NL N B H 01 F

① ②③ ④ ⑤ ⑥⑦⑧⑨⑩

- ① Series No.
- ② Category: H-Housing
- ③ Welding Board Angle: Blank-ordinary
- ④ Row No.-Pin No.: 1xXX-1x02~1x12P
- ⑤ Material: NL-PA66 94V-0
- ⑥ Color: N-natural color B-Black
- ⑦ Packag: B-Bag
- ⑧ Green code: H-Halogen Free
- ⑨ Water code:01
- ⑩ F-Other Connectors

Poles	Dimensions(mm)		
	A	B	C
1x02	3.15	2.85	1.30
1x03	4.45	4.15	2.60
1x04	5.75	5.45	3.90
1x05	7.05	6.75	5.20
1x06	8.35	8.05	6.50
1x07	9.65	9.35	7.80
1x08	10.95	10.65	9.10
1x09	12.25	11.95	10.40
1x10	13.55	13.25	11.70
1x11	14.85	14.55	13.00
1x12	16.15	15.85	14.30

DATE	REV	ECN NO	DESCRIPTION	MODIFY	APPROVAL	PROJECT
2020/06/01	E		Update Drawing Frame & temperature	Roy.Hu	Robing	GENERAL TOLERANCE
2019/07/04	D	ER20190704001	Optimize product, and change the material to PA66, then update the drawing.	Hai Li	Robing	.X ±0.35
2019/06/17	C	ER20190617001	The drawing was updated since LCP product was added.	Hai Li	Robing	.XX ±0.25
						.XXX ±0.15
						X.* ±2°
						PROJECT
						⊕ ⊖

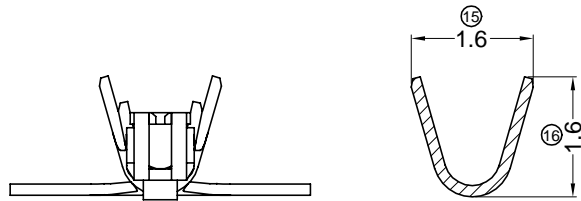
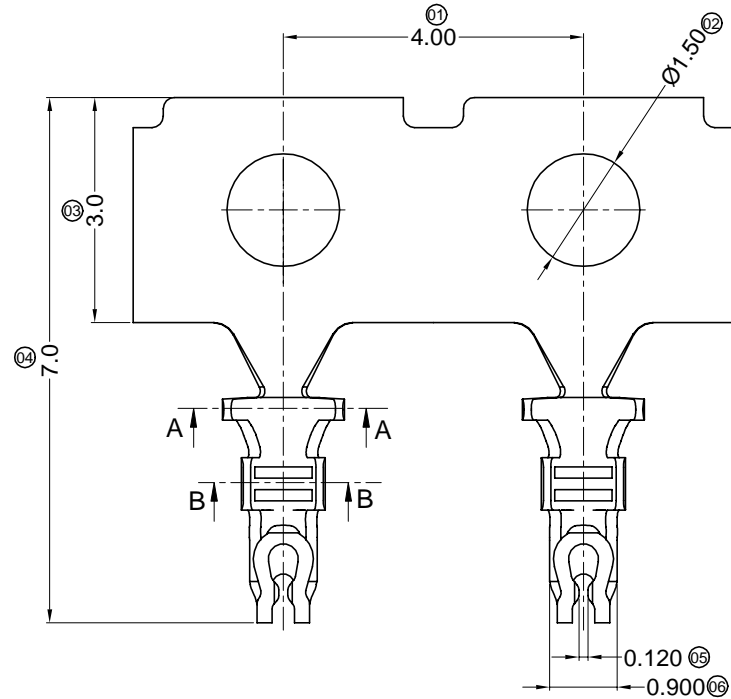


APPROVAL	CHECK	DRAWN	DATE
Robing	Hai Li	Jason	2018/09/027

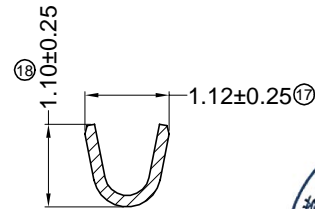
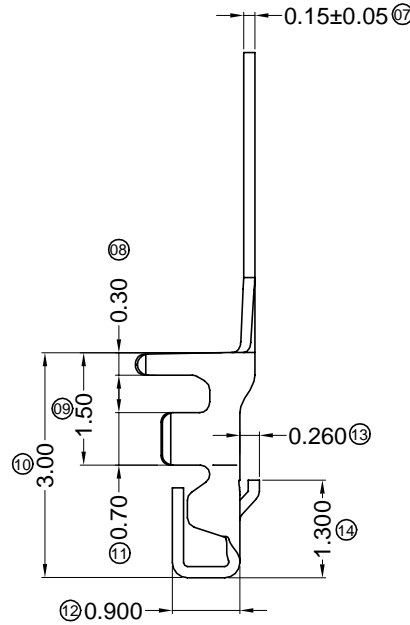
PART NO.				
1300H-1xXX-NLXBH01F				
TITLE				
1.30 mm Crimp Style Connectors				
UNIT	SCALE	SHEET	REV	NUMBER
mm	1:1	1/1	E	A-022

RoHS

This products can apply to the SWB Doc NO. QA-3-04-005 of Environmental&Material Management Rules



SECTION A-A
SCALE 1:1



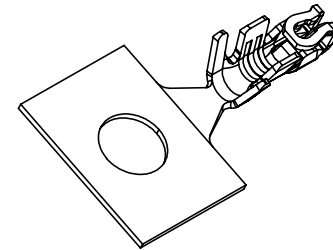
SECTION B-B
SCALE 1:1

Specifications :

- Voltage rating: 30V AC / DC
- Current rating: 3.0A AC / DC
- Withstanding voltage: 500V AC/minute
- Temperature range: -40°C~+105°C
- Insulation resistance: ≥100MΩ
- Contact resistance: ≤20mΩ
- After environmental testing: ≤30mΩ
- Wire Range: AWG#26~28
- Insulation O.D:0.98mm (Max)
- Used In SWB Housing:1300H

1300 T X X-H 10 S X-01 F
① ②③④⑤⑥⑦⑧⑨⑩

- ① Series Number
- ② Category: T-terminal
- ③ Shape: Blank-ordinary
- ④ Appearance encoding:Blank-Ordinary
- ⑤ Material: H-High conductivity copper
- ⑥ Plating style: 10- Whole Gold :Gold Flash
- ⑦ Plating method: S-Stamping before plating
- ⑧ Special No: Blank-Normal Leads
- ⑨ Water code:01
- ⑩ F-Other Connectors



					<p>GENERAL TOLERANCE</p> <p>.X ±0.35</p> <p>.XX ±0.25</p> <p>.XXX ±0.15</p> <p>X.° ±2°</p> <p>PROJECT</p> <p>⊕ ⊖</p>				<p>东莞市思索连接器有限公司 SWB CONNECTORS CO.,LTD</p> <p>APPROVAL CHECK DRAWN DATE</p> <p>Smark Joshua Jason 2018/09/27</p>				<p>PART NO. 1300T-H10S-01F</p> <p>TITLE 1.30 mm Crimp Style Connectors</p> <p>UNIT SCALE SHEET REV NUMBER</p> <p>mm 1:1 1/1 C A-295</p>				
2020/06/02	C		Update Drawing Frame& temperature	Roy.Hu	Robing												
2018/12/13	B	EN20181213001	按客户要求修改PIN针材质为高导电铜	Joshua	Smark												
DATE	REV	ECN NO	DESCRIPTION	MODIFY	APPROVAL												

RoHS

This products can apply to the SWB Doc NO. QA-3-04-005 of Environmental&Material Management Rules

■ Specifications :

- Voltage rating: 30V AC / DC
- Current rating: 3.0A AC / DC
- Withstanding voltage: 500V AC/minute
- Temperature range: -25°C~+85°C
- Insulation resistance:≥100MΩ
- Contact resistance: ≤20mΩ
- After environmental testing: ≤40mΩ
- Mates With SWB Housing:1300H

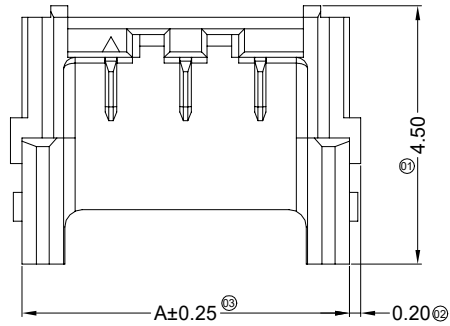
1300 W R S-1xXX-4T X H 10 R H 001 F

① ② ③ ④ ⑤ ⑥ ⑦ ⑧ ⑨ ⑩ ⑪ ⑫ ⑬

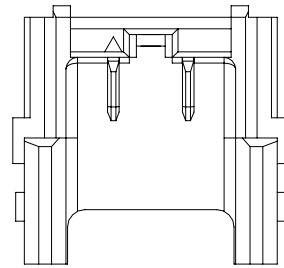
- ① Series No.
- ② Category: W-wafer
- ③ Welding Board Angle: R- 90°
- ④ Welding Way: S-SMT
- ⑤ Row No.-Pin No.: 1xXX-1x02~1x12P
- ⑥ Plastic material: 4T-PA4T 94V-0 ;
- ⑦ Color: B-Black; N-Natural
- ⑧ Metal material:H-High conductivity copper
- ⑨ Planting Category: 10-All Gold Flash
- ⑩ Packag: R-Reel
- ⑪ Green code: H-Halogen-Free
- ⑫ Water code:001-Normal PIN number
002-3Pin, missing 1PIN.number
- ⑬ F-Other Connectors

备注说明

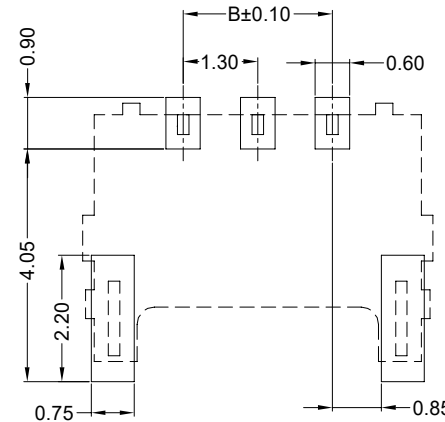
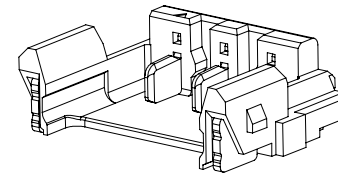
1300WRS-1xXX-4TXH10RH001F	正常PIN 料号
1300WRS-1x03-4TXH10RH002F	3Pin中间缺1PIN 料号



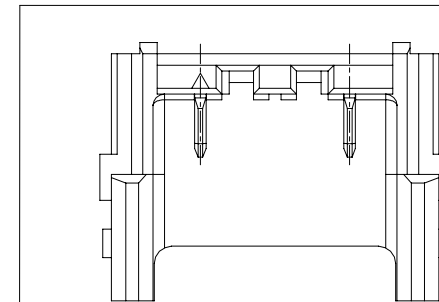
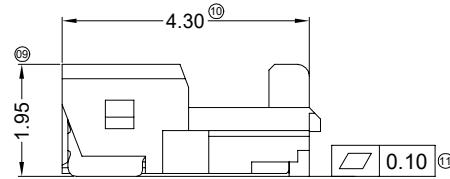
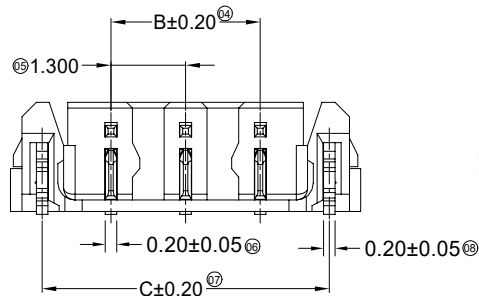
3~12Pin Shape



2Pin Shape



Recommended P.C.B Layout
General Tolerance±0.05



3Pin中间缺1PIN 视图

料号为:1300WRS-1x03-4TXH10RH002F

Poles	Dimensions (mm)		
	A	B	C
1x02	4.40	1.30	3.70
1x03	5.70	2.60	5.00
1x04	7.00	3.90	6.30
1x05	8.30	5.20	7.60
1x06	9.60	6.50	8.90
1x07	10.90	7.80	10.20
1x08	12.20	9.10	11.50
1x09	13.50	10.40	12.80
1x10	14.80	11.70	14.10
1x11	16.10	13.00	15.40
1x12	17.40	14.30	16.70

2020/07/23	D		Update Drawing Frame	Xue	Robing	GENERAL TOLERANCE .X ±0.30 .XX ±0.20 .XXX ±0.10 X° ±2° PROJECT 	东莞市思索连接器有限公司 SWB CONNECTORS CO.,LTD	PART NO. 1300WRS-1xXX-4TXH10RH00XF TITLE 1.30 mm Crimp Style Connectors
2019/07/18	C	ER20190718004	Optimize product, update drawing.	HAILI.WANG	ROBING			
2018/12/13	B	EN20181213001	Optimize product, change the pin material to high conductivity copper	Joshua	Smarm			
DATE	REV	ECN NO	DESCRIPTION	MODIFY	APPROVAL			

APPROVAL	CHECK	DRAWN	DATE
		Jason	2018/09/27

UNIT	SCALE	SHEET	REV	NUMBER
mm	1:1	1/1	A	A-000