

RoHS

This products can apply to the SESO Doc NO. QA-3-04-005 of Environmental&Material Management Rules



Specifications :

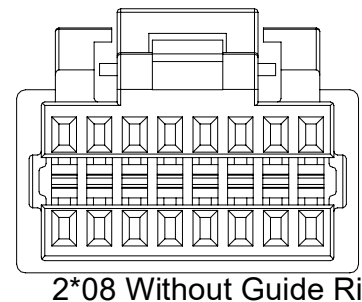
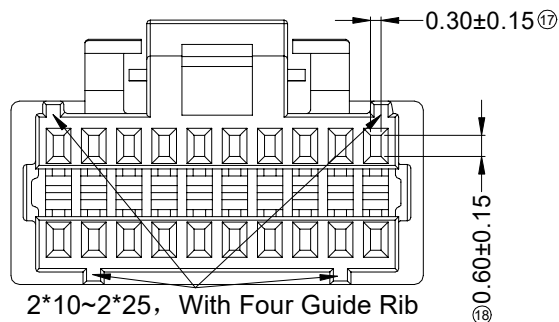
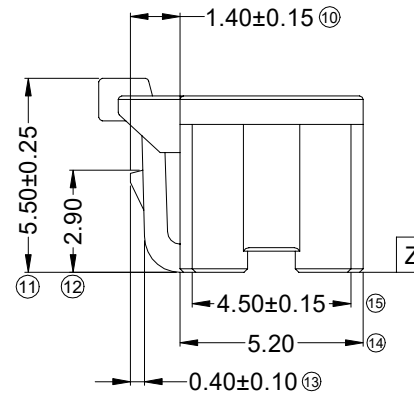
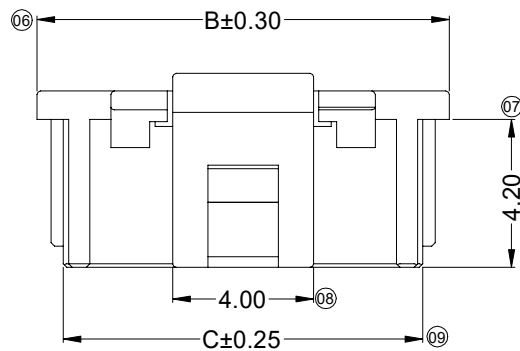
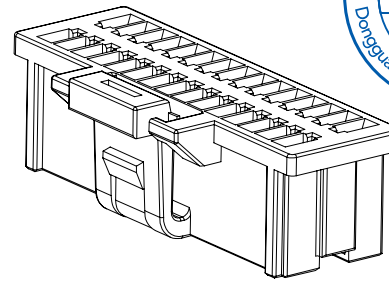
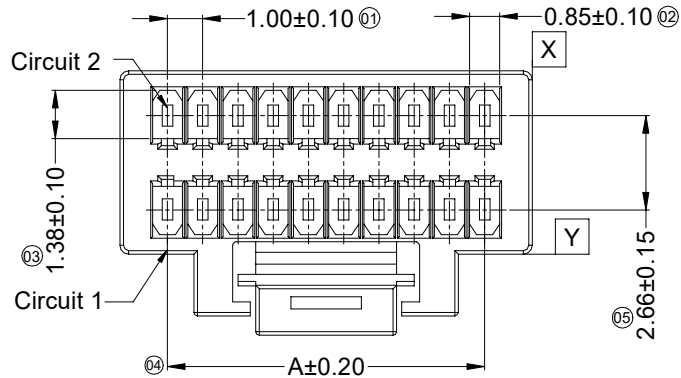
- Voltage rating: 50V AC / DC
- Current rating: 1A AC / DC
- Withstanding voltage: 250V AC/minute
- Temperature range: -25°C~+85°C
- Insulation resistance: ≥100MΩ
- Contact resistance: ≤20mΩ
- After environmental testing: ≤40mΩ
- Mates With SESO Terminal 1038T

1038 H X- 2*XX - N0 HF XX

① ② ③ ④ ⑤ ⑥ ⑦

- ① Series No.
- ② Category:H-HSG
- ③ Connector type:Blank-ordinary
- ④ Row No.-Pin No Per Row: 2*XX-Double row
- ⑤ Material:N0-PA66 94V-0
- ⑥ Special No.:HF-Halogen-free
- ⑦ Color:Blank-Natural color BK-Black color

Poles	Dimensions (mm)		
	A	B	C
2x08	7.00	9.70	8.30
2x10	9.00	11.70	10.30
2x12	11.00	13.70	12.30
2x13	12.00	14.70	13.30
2x14	13.00	15.70	14.30
2x15	14.00	16.70	15.30
2x18	17.00	19.70	18.30
2x20	19.00	21.70	20.30
2x25	24.00	26.70	25.30



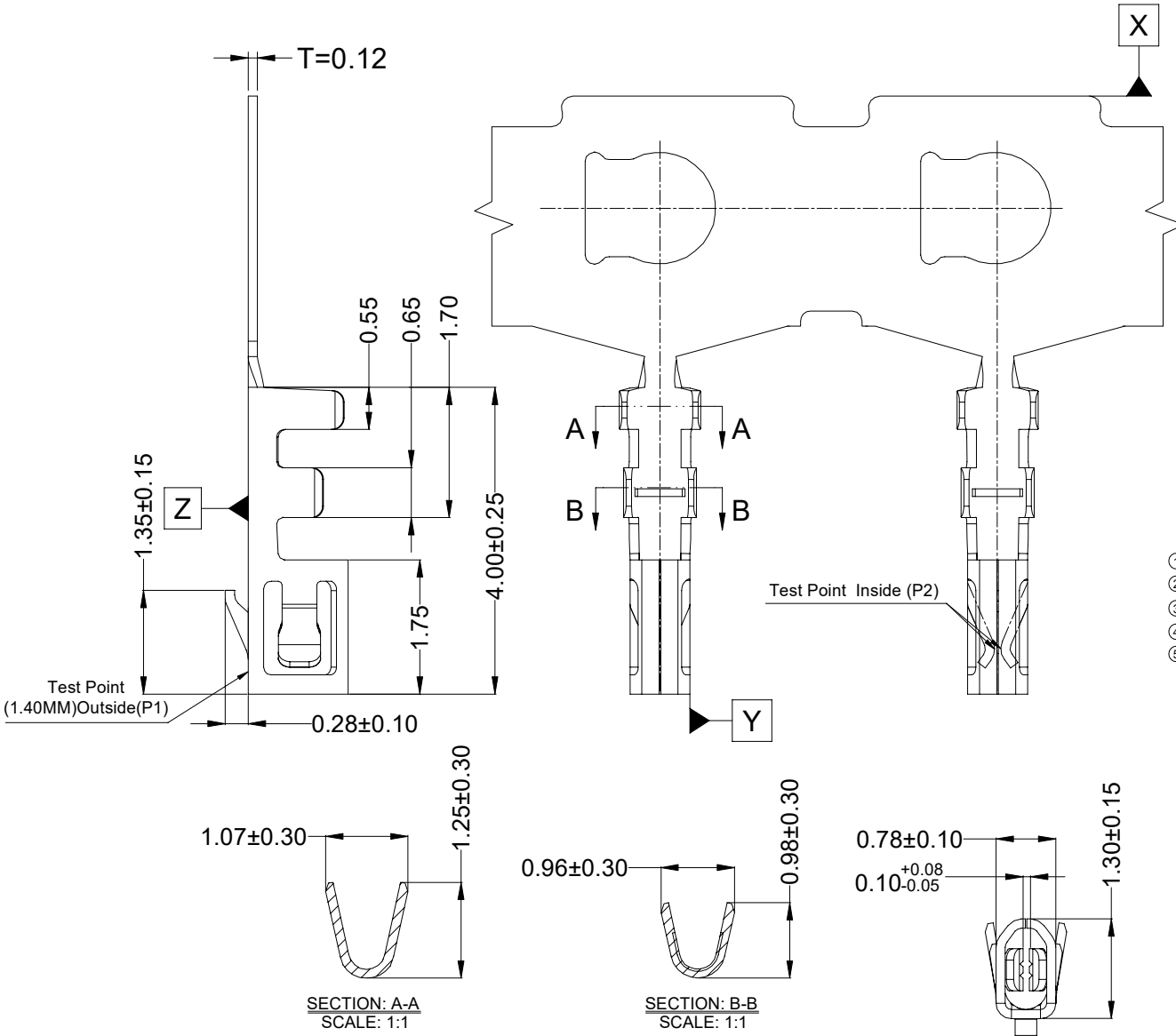
DATE	REV	ECN NO	DESCRIPTION	MODIFY	APPROVAL	GENERAL TOLERANCE				PART NO.					
						.X	.XX	.XXX	X°	1038H-2*XX-N0HFXX					
20240304	A1	/	Updated version	Aump chua	Jack Zhang	±0.30	±0.20	±0.10	±2°	TITLE					
						PROJECT	APPROVAL	CHECK	DRAWN	DATE	1.00mm Crimp Style Connectors				
						PROJECT	Jack Zhang	Larry Yang	HuangTao	2021/3/22	UNIT	SCALE	SHEET	REV	NUMBER
											mm	1:1	1/1	A1	A-000

SMS 东莞市思索技术股份有限公司
Dongguan SESO Technology Co.,Ltd.

PART NO.				
1038H-2*XX-N0HFXX				
TITLE				
1.00mm Crimp Style Connectors				
UNIT	SCALE	SHEET	REV	NUMBER
mm	1:1	1/1	A1	A-000

RoHS

This products can apply to the SESO Doc NO. QA-3-04-005 of Environmental&Material Management Rules



Specifications :

- Voltage rating: 50V AC / DC
- Current rating: 1A AC / DC
- Withstanding voltage: 250V AC/minute
- Temperature range: -40°C~+105°C
- Insulation resistance: $\geq 100M\Omega$
- Contact resistance: $\leq 20m\Omega$
- After environmental testing: $\leq 40m\Omega$
- Wire Range: AWG#28~32
- Insulation O.D: 0.80mm(Max)
- Mates With SESO Housing: 1038H

1038 T X-P XXX

- ① ② ③ ④ ⑤

- ① Series Number
- ② Category: T-terminal
- ③ Shape: Blank-ordinary
- ④ Material: P-Phosphor bronze
- ⑤ Plating code:

- SN1-Nickel 30u" Min.; Bright Tin Plating 100u" Min. (Test Point: P1)
- V01-Ni: 30u" Min. ; Gold flash (Test Point: P1)
- V05-Ni: 30u" Min.; Contact Area 5u" Min. (Test Point: P2)
Other Area: Gold flash (Test Point: P1)
- V04-Ni: 30u" Min. ; Contact Area Gold 4u" Min. (Test Point: P2)
Other Area: Gold flash (Test Point: P1)
- V15-Ni: 30u" Min. ; Contact Area Gold 15u" Min. (Test Point: P2)
Other Area: Gold flash (Test Point: P1)
- V30-Ni: 30u" Min. ; Contact Area Gold 30u" Min. (Test Point: P2)
Other Area: Gold flash (Test Point: P1)



20240321	A3	/	Updated version	Aump chua	Larry Yang
DATE	REV	ECN NO	DESCRIPTION	MODIFY	APPROVAL

GENERAL TOLERANCE	
.X	± 0.30
.XX	± 0.20
.XXX	± 0.10
X°	$\pm 2^\circ$
PROJECT	

SMS 东莞市思索技术股份有限公司
Dongguan SESO Technology Co.,Ltd.

APPROVAL	CHECK	DRAWN	DATE
Jack Zhang	Larry Yang	Fang wei	2021/03/24

PART NO.				
1038T-PXXX				
TITLE				
1.00mm Crimp Style Connectors				
UNIT	SCALE	SHEET	REV	NUMBER
mm	1:1	1/1	A3	A-000

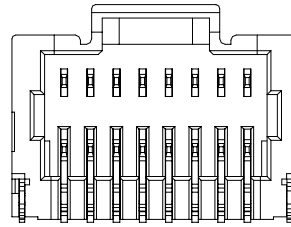
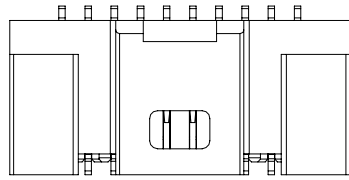
RoHS

This products can apply to the SESO Doc NO. QA-3-04-005 of Environmental&Material Management Rules

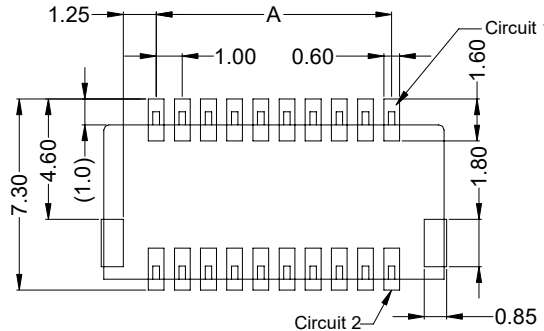
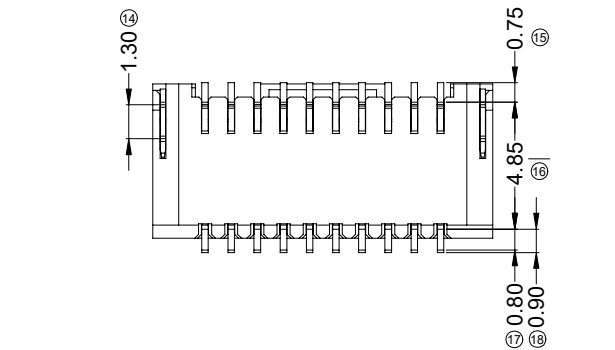
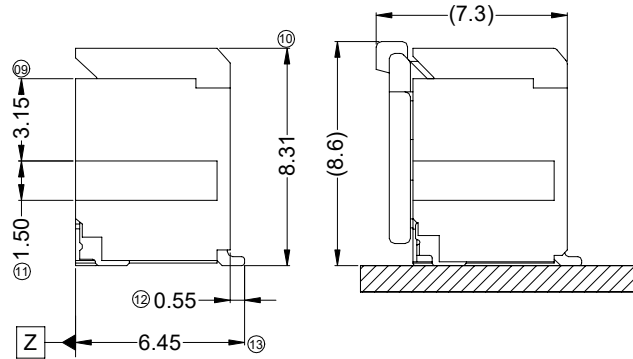
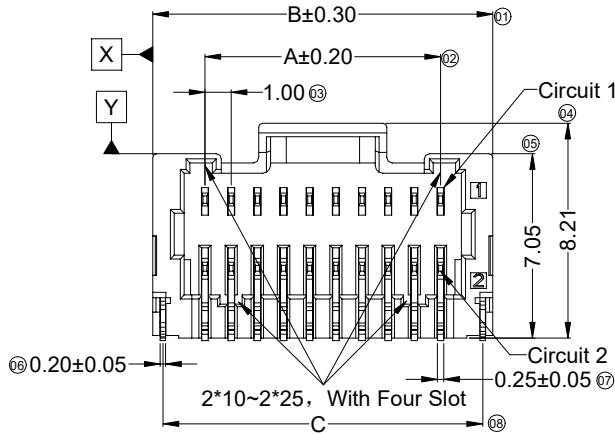


Specifications :

- Voltage rating: 50V AC / DC
- Current rating: 1.0A AC / DC
- Withstanding voltage: 250V AC/minute
- Temperature range: -25°C~+105°C
- Insulation resistance: ≥100MΩ
- Contact resistance: ≤20mΩ
- After environmental testing: ≤30mΩ
- Material(Pin): Phosphor Bronze
- Material(Solder Tabs): Brass
- Finish(Solder Tabs): Matte Tin Plating
- Mates With SESO Housing: 1038H-2*XX



2*08, Without Slot



Recommended P.C.B Layout
General Tolerance±0.05

1038 W R S-2*XX -4T XXX X XX
① ② ③ ④ ⑤ ⑥ ⑦ ⑧ ⑨

- ① Series No.
- ② Category: W-wafer
- ③ Connector type: R-Right Angle 90°
- ④ Mouting type: S-SMT
- ⑤ Row No.-Pin No per row: 2*XX-Double row
- ⑥ Material: 4T-PA4T 94V-0
- ⑦ Plating code:
V01-Pin Contact Area Gold Flash. Solder Area: Gold flash.
V04-Pin Contact Area Gold 4u" Min. ; Solder Area G/F;Ni 50u" Min.
V15-Pin Contact Area Gold 15u" Min. ; Solder Area G/F;Ni 50u" Min.
V30-Pin Contact Area Gold 30u" Min. ; Solder Area G/F;Ni 50u" Min.
SW-Matte Tin 100u" Min. ; Ni 50u" Min.
- ⑧ Color: Blank-Natural color B-Black
- ⑨ Package: R- Carrier (Color-Black; ESD)
R1- Carrier Color-Natural

Poles	Dimensions (mm)		
	A	B	C
2*08	7.00	11.00	10.22
2*10	9.00	13.00	12.22
2*12	11.00	15.00	14.22
2*15	14.00	18.00	17.22
2*20	19.00	23.00	22.22
2*25	24.00	28.00	27.22

					<p>GENERAL TOLERANCE</p> <p>.X ±0.30</p> <p>.XX ±0.20</p> <p>.XXX ±0.10</p> <p>X.° ±2°</p>				<p>SMS 东莞市思索技术股份有限公司 Dongguan SESO Technology Co.,Ltd.</p>				<p>PART NO. 1038WRS-2*XXX-4TXXXXX</p>				
2024/04/24 A4 / Updated version Aump chua Larry Yang					APPROVAL CHECK DRAWN DATE				<p>TITLE 1.00mm Crimp Style Connectors</p>								
DATE	REV	ECN NO.	DESCRIPTION	MODIFY	APPROVAL	PROJECT	Jack Zhang	Larry Yang	Fang wei	2021/10/09	UNIT	SCALE	SHEET	REV	NUMBER		
											mm	1:1	1/1	A4	A-000		

RoHS

This products can apply to the SESO Doc NO. QA-3-04-005 of Environmental&Material Management Rules

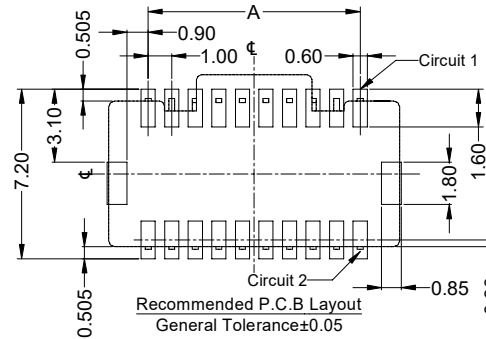
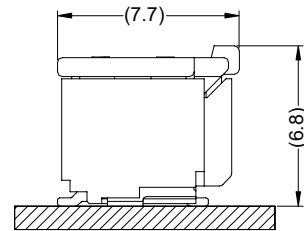
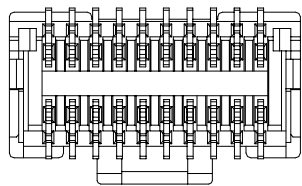
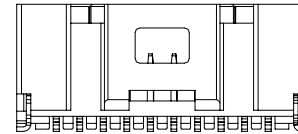
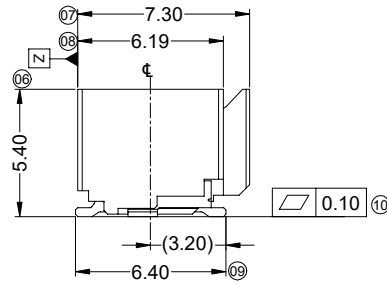
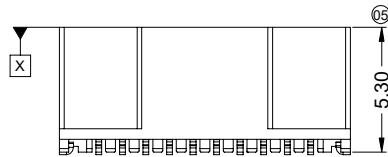
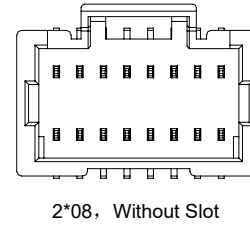
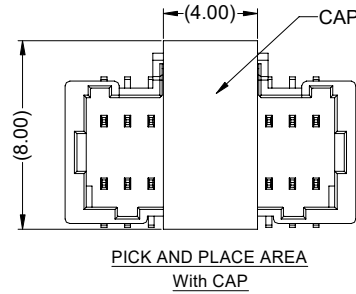
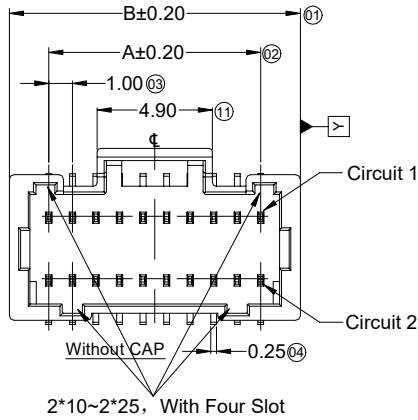


Specifications :

- Voltage rating: 50V AC / DC
- Current rating: 1.0A AC / DC
- Withstanding voltage: 250V AC/minute
- Temperature range: -25°C~+85°C
- Insulation resistance: ≥100MΩ
- Contact resistance: ≤20mΩ
- After environmental testing: ≤30mΩ
- Material(Pin): Phosphor Bronze
- Material(Solder Tabs): Brass
- Material(CAP): LCP UL 94V-0 Black
- Finish(Solder Tabs): Matte Tin Plating
- Mates With SESO Housing: 1038H-2*XX

1038 W V S-2*XX -4T XXX X X
① ② ③ ④ ⑤ ⑥ ⑦ ⑧ ⑨

- ① Series No.
- ② Category: W-wafer
- ③ Connector type: V-180°
- ④ Mounting type: S-SMT
- ⑤ Row No.-Pin No per row: 2*XX-Double Row
- ⑥ Material : 4T-PA4T 94V-0
- ⑦ Plating Code:
SW-Matte Tin 100u" Min.; Underplated Nickel 50u"Min.
V01-Pin Contact Area Gold flash; Solder Area: Gold flash
V04-Pin Contact Area Gold 4u" Min. ; Solder Area: Gold flash.
V15-Pin Contact Area Gold 15u" Min. ; Solder Area: Gold flash.
Underplated Nickel 50u"Min.
V30-Pin Contact Area Gold 30u" Min. ; Solder Area: Gold flash.
Underplated Nickel 50u"Min.
- ⑧ Color: Blank-Natural Color ; B-Black Color
- ⑨ Package: C- With CAP / Carrier(Color-Black; ESD)
R- Without CAP / Carrier (Color-Black; ESD)
C1- With CAP / Carrier Color-Natural
R1- Without CAP / Carrier Color-Natural



Poles	Dimensions (mm)	
	A	B
2*08	7.00	10.35
2*10	9.00	12.35
2*12	11.00	14.35
2*13	12.00	15.35
2*14	13.00	16.35
2*15	14.00	17.35
2*18	17.00	20.35
2*20	19.00	22.35
2*25	24.00	27.35

					GENERAL TOLERANCE				PART NO.					
					.X ±0.30				1038WVS-2*XX-4TXXXXX					
					.XX ±0.20				TITLE					
					.XXX ±0.10				1.00mm Crimp Style Connector					
					X.° ±2°				APPROVAL					
20240424	A1	/	Updated version	Aump chua	Jack Zhang	APPROVAL	CHECK	DRAWN	DATE	UNIT				
DATE	REV	ECN NO.	DESCRIPTION	MODIFY	APPROVAL	Jack Zhang	Larry Yang	HuangTao	2021/3/22	mm	SCALE	SHEET	REV	NUMBER
1	2	3	4	5	6	7	8	9	10	1:1	1/1	A1	A-000	

SMS 东莞市思索技术股份有限公司
Dongguan SESO Technology Co.,Ltd.