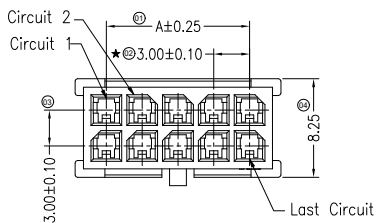
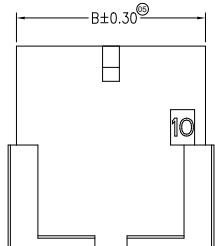
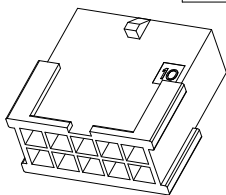


RoHS

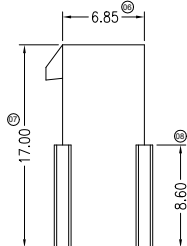
This products can apply to the SESO Doc NO. QA-3-04-005 of Environmental&Material Management Rules



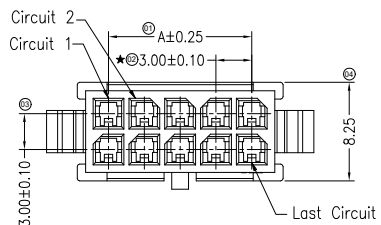
3025HF-2*XX-N0XX-01



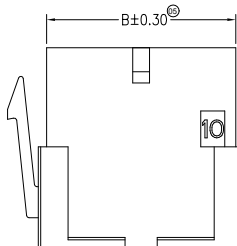
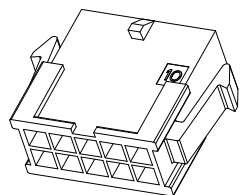
2*03PIN~2*12PIN



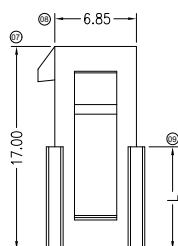
2*01PIN~2*02PIN



3025HF-2*XX-N0XX-02
3025HF-2*XX-N0XX-03



2*03PIN~2*12PIN



2*01PIN~2*02PIN



2*7PIN



2*6PIN



2*8PIN



2*5PIN



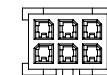
2*9PIN



2*4PIN



2*10PIN



2*3PIN



2*11PIN



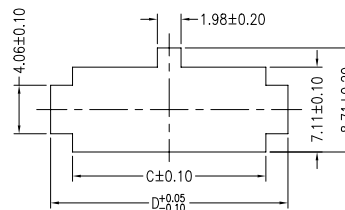
2*2PIN



2*12PIN



2*1PIN



With Ears Recommended P.C.B Layout
Thick=1.20~2.20±0.05mm

Specifications :

- Voltage rating: 250V AC / DC
- Current rating: 5A Max AC / DC
- Withstanding voltage: 1000V AC/minute
- Temperature range: -40°C~+105°C
- Insulation resistance: >1000MΩ
- Contact resistance: <10mΩ
- After environmental testing: <20mΩ
- Suitable SESO Terminal: 3025TM
- Mates With SESO Housing: 3025HM
- "★"Critical dimension

3025 H F-2*XX-N0 XX XX-XX X
① ②③ ④ ⑤ ⑥ ⑦ ⑧ ⑨

- ① Series No.
- ② Category: H-HSG
- ③ Connector type: F-Female HSG
- ④ Row No.-Pin No Per Row: 2*XX-2*01P~2*12P
- ⑤ Material: N0-PA66 94V-0
- ⑥ HF-Halogen Free Blank-RoHS
- ⑦ Color: Blank-Black; BE-Beige △
- ⑧ Sequence Number:
01-Without Ears
△02-With Ears, L=8.60mm, H=2.30mm
03-With Ears, L=9.60mm, H=1.30mm
- ⑨ Special code: Blank-Ordinary;
△C-The Glow-Wire test of 750/850°C

Poles	Dimensions(mm)				Poles	Dimensions(mm)			
	A	B	C	D		A	B	C	D
2*01	3.85	4.21	7.89	2*07	18.00	21.85	22.21	25.89	
2*02	3.00	6.85	7.21	2*08	21.00	24.85	25.21	28.89	
2*03	6.00	9.85	10.21	2*09	24.00	27.85	28.21	31.89	
2*04	9.00	12.85	13.21	2*10	27.00	30.85	31.21	34.89	
2*05	12.00	15.85	16.21	2*11	30.00	33.85	34.21	37.89	
2*06	15.00	18.85	19.21	2*12	33.00	36.85	37.21	40.89	

2023/10/10	C1	/	Update borders LOGO	Larry Lin	Jack Zhang
2021/06/17	C	EN20210617002	Add new product type △	sylvia	Robing
2019/10/18	B	ER20191018002	Add 06 dimension control for ear specification	Alan qin	Robing
DATE	REV	ECN NO.	DESCRIPTION	MODIFY	APPROVAL

GENERAL TOLERANCE	
.X	±0.30
.XX	±0.20
.XXX	±0.10
X.*	±2'
PROJECT	

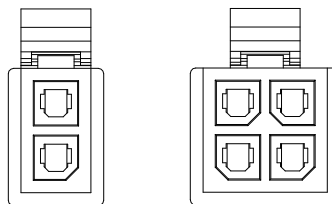
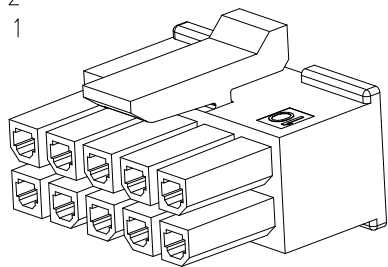
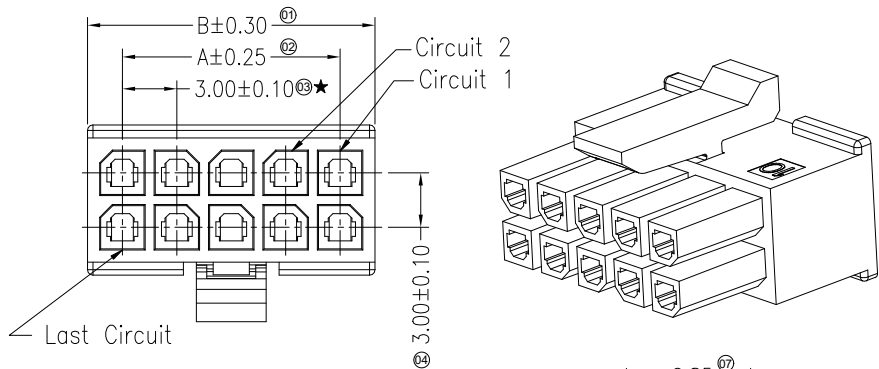
SMS 东莞市思索技术股份有限公司
Dongguan SESO Technology Co.,Ltd.

APPROVAL	CHECK	DRAWN	DATE
Jack Zhang	Larry Yang	Larry Lin	2017/08/21

PART NO.				
3025HF-2*XX-N0XX-XXX				
TITLE				
3.00 mm Crimp Style Connectors				
UNIT	SCALE	SHEET	REV	NUMBER
mm	1:1	1/1	C1	CD

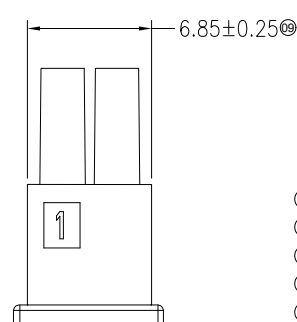
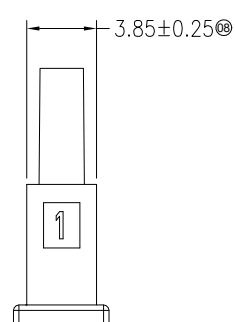
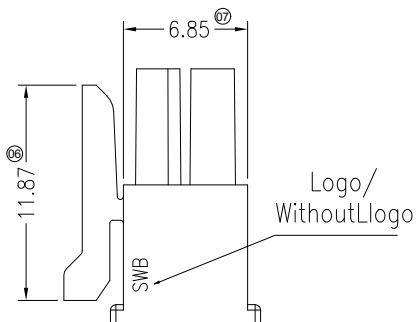
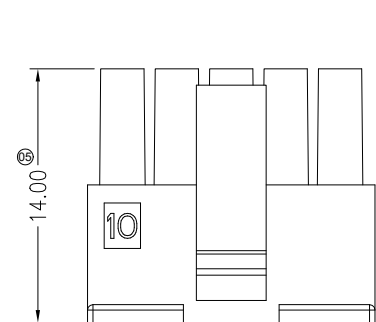
RoHS

This products can apply to the SESO Doc NO. QA-3-04-005 of Environmental&Material Management Rules



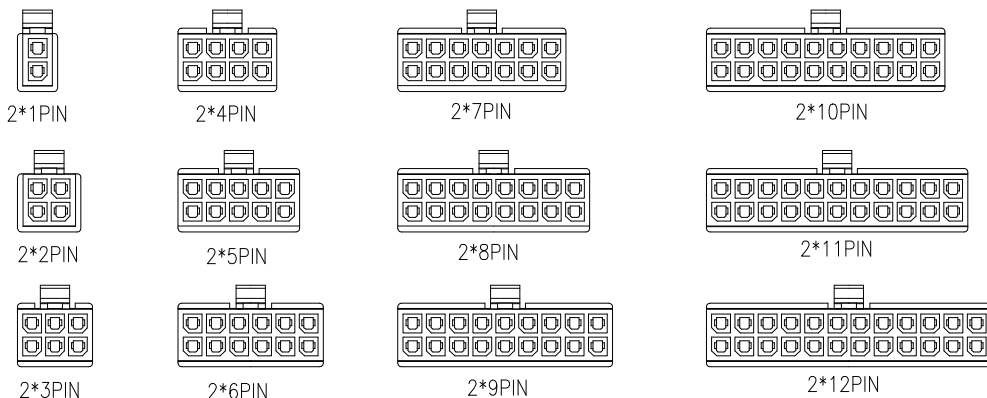
Specifications :

- Voltage rating: 250V AC / DC
- Current rating: 5A Max AC / DC
- Withstanding voltage: 1000V AC/minute
- Temperature range: -40°C~+105°C
- Insulation resistance: ≥1000MΩ
- Contact resistance: <10mΩ
- After environmental testing: <20mΩ
- Suitable SESO Terminal: 3025TF
- Mates With SESO Wafer: 3025W
- "★"Critical dimension



3025 H M-2*XX X -NO XX XX-00 X
 ① ② ③ ④ ⑤ ⑥ ⑦ ⑧ ⑨ ⑩

- ① Series No.
- ② Category: H-HSG
- ③ Connector type: M-Male HSG
- ④ Row No.-Pin No Per Row: 2*XX-2*01P~2*12P
- ⑤ Special No.: Blank-Ordinary/Without Logo
S-Ordinary/With "SWB" Logo
- ⑥ Material: NO-PA66 94V-0
- ⑦ Blank-RoHS;HF-Halogen Free
- ⑧ Color: Blank-Black;BE-Beige
- ⑨ 00-Number
- ⑩ Special No.: Blank-Ordinary;C-GWFI 750°C



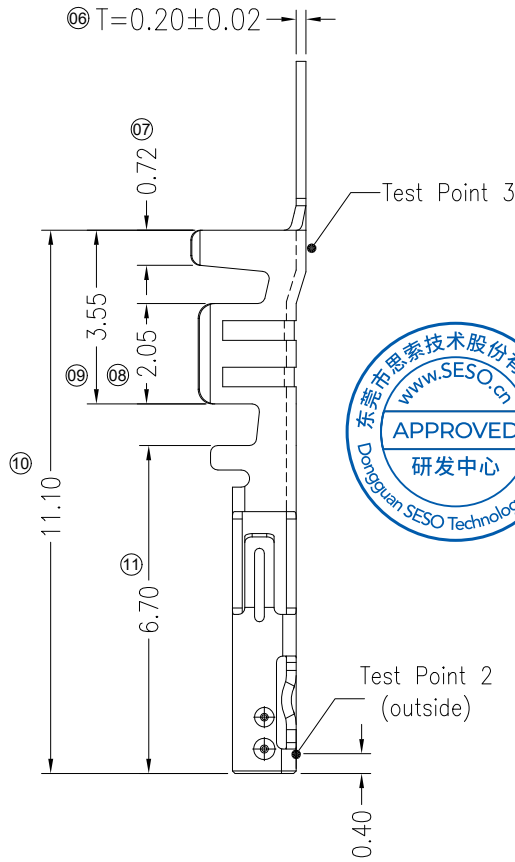
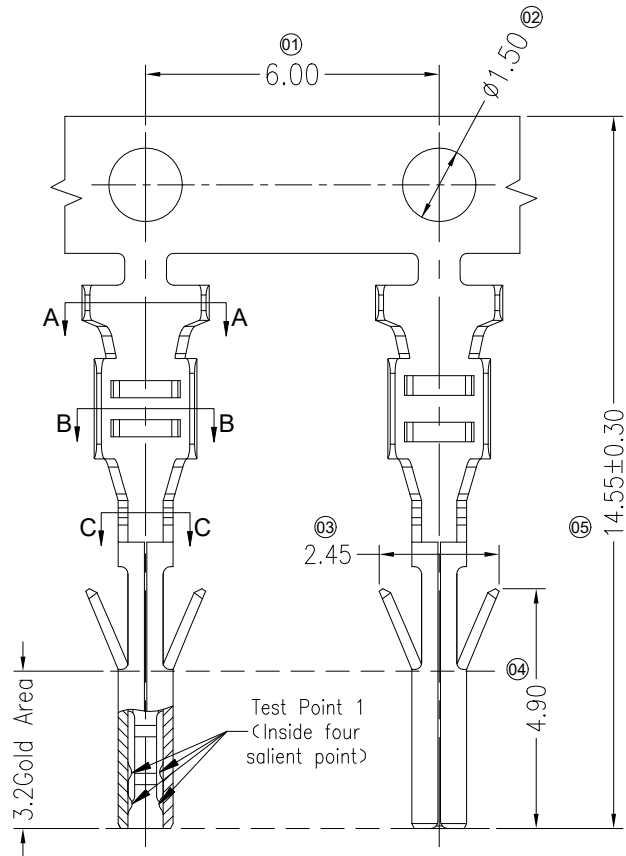
Poles	Dimensions(mm)		Poles	Dimensions(mm)	
	A	B		A	B
2*01			2*07	18.00	21.85
2*02	3.00		2*08	21.00	24.85
2*03	6.00	9.85	2*09	24.00	27.85
2*04	9.00	12.85	2*10	27.00	30.85
2*05	12.00	15.85	2*11	30.00	33.85
2*06	15.00	18.85	2*12	33.00	36.85

DATE	REV	ECN NO.	DESCRIPTION	MODIFY	APPROVAL	GENERAL TOLERANCE	APPROVAL				PART NO.				
2021/10/29	B1	EN20211029004	Add New Model "SWB"Logo	Gu	Larry	.X ±0.30	APPROVAL	CHECK	DRAWN	DATE	3025HM-2*XXX-NOXX-00X				
2020/03/18	B	EN20200318001	Update Drawing Frame	Alan qin	Robing	.XX ±0.20					Larry	Gu	Yu wei	2018/03/15	TITLE
						.XXX ±0.10									3.00mm Crimp Style Connectors
						X.* ±2'					UNIT	SCALE	SHEET	REV	NUMBER
						PROJECT					mm	1:1	1/1	B1	CD

SMS 东莞市思索技术股份有限公司
 Dongguan SESO Technology Co.,Ltd.

RoHS

This products can apply to the SESO Doc NO. QA-3-04-005 of Environmental&Material Management Rules

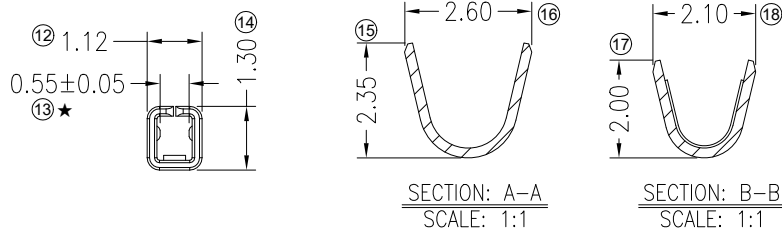


- Specifications :
- Voltage rating: 250V AC / DC
 - Current rating: 5A Max AC / DC
 - Withstanding voltage: 1000V AC/minute
 - Temperature range: -40°C~+105°C
 - Insulation resistance: ≥1000MΩ
 - Contact resistance: <10mΩ
 - After environmental testing: <20mΩ

- Wire Size: AWG#20~22(0.5~0.35mm²)
- Insulation O.D.: 1.85mm Max
- Used In SESO Housing: 3025HM
- "★"Critical dimension

3025 T F-P XX X- V
 ① ② ③ ④ ⑤ ⑥ ⑦

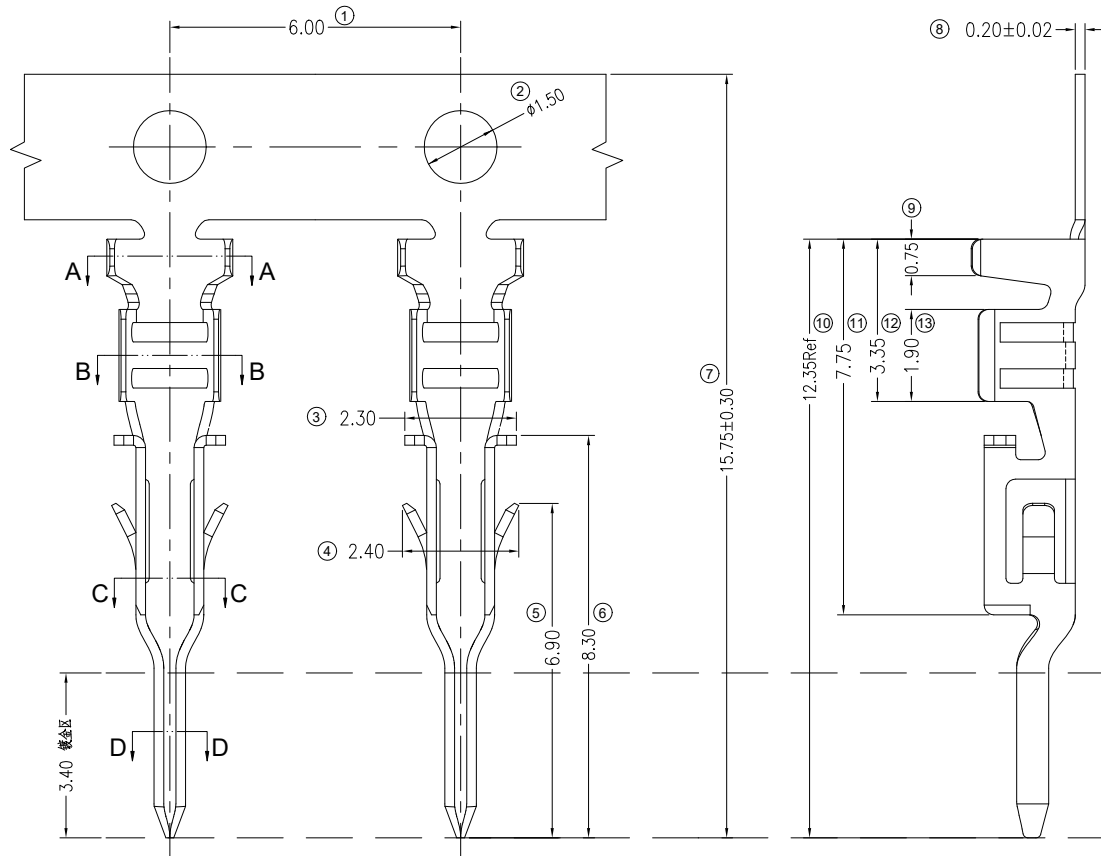
- ① Series Number
- ② Category: T-terminal
- ③ Shape: F-Female Terminal
- ④ Material: P-Phosphor bronze
- ⑤ Plating Code:
 GW30-Contact point gold 30u"(inside test point 1)
 Gold area1u"(outside test point 2)
 Matte tin plating(outside test point 3)
- G30- Contact point gold 30u"(inside test point 1)
 Gold area1u"(outside test point 2)
 Other area Ni 30u" Min
- G15- Contact point gold 15u"(inside test point 1)
 Gold area1u"(outside test point 2)
 Other area Ni 30u" Min
- G01-Contact Area Gold Flash (outside test point 2)
 SN-Bright tin plating(outside test point 2)
- ⑥ Plating method: Blank-Stamping before plating
- ⑦ V- Convex hull limit



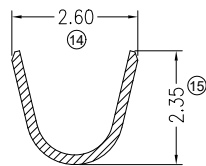
					GENERAL TOLERANCE				PART NO: 3025TF-PXXX-V				
					.X ±0.35				东莞市思索技术股份有限公司 Dongguan SESO Technology Co.,Ltd.				
					.XX ±0.25								
					.XXX±0.15				TITLE: 3.00mm Crimp Style Connectors				
					X' ±2'				APPROVAL CHECK DRAWN DATE				
					PROJECT				UNIT SCALE SHEET REV NUMBER				
									mm 1:1 1/1 B1 CD				
					LARRY YANG JANE ALAN QIN 2017/09/14								

RoHS

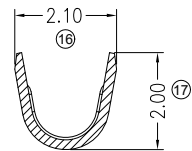
This products can apply to the SESO Doc NO. QA-3-04-005 of Environmental&Material Management Rules



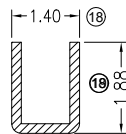
3.40 模合区



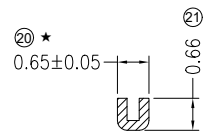
SECTION: A-A
SCALE: 1:1



SECTION: B-B
SCALE: 1:1



SECTION: C-C
SCALE: 1:1



SECTION: D-D
SCALE: 1:1

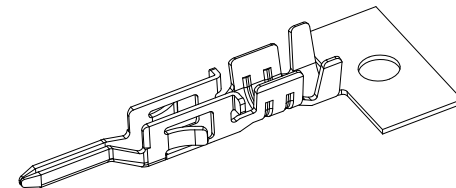
- Specifications :
- Voltage rating: 250V AC / DC
 - Current rating: 5A Max AC / DC
 - Withstanding voltage: 1000V AC/minute
 - Temperature range: -40°C~+105°C
 - Insulation resistance: \geq 1000M Ω
 - Contact resistance: \leq 10m Ω
 - After environmental testing: \leq 20m Ω

- Wire Size:AWG#20~22(0.5~0.35mm²)
- Insulation O.D.:1.85mm Max
- Used In SESO Housing:3025HF
- "★"Critical dimension

3025 T M-P XX X-X
① ② ③ ④ ⑤ ⑥ ⑦



- ① Series Number
- ② Category: T-terminal
- ③ Shape: M-male
- ④ Material: P-Phosphor bronze
- ⑤ Plating code:
SN-Bright tin plating(30u" Ni Min;70u"Sn Min)
SN1-Bright tin plating(50u" Ni Min;100u"Sn Min)
G01-Contact area gold flash,Other area Ni 30u" Min;
G03-Contact point gold 3u" ,Other area Ni 30u" Min;
G30-Contact point gold 30u" ,Other area Ni 30u" Min
- ⑥ Plating method: Blank-Stamping before plating
- ⑦ Mold No./Mark/Special No.

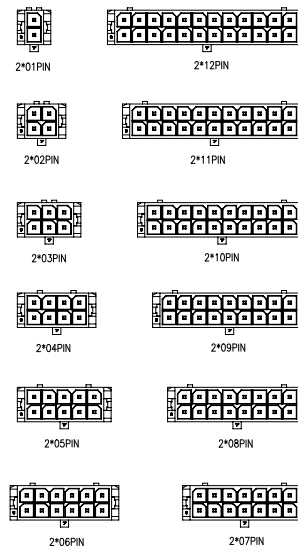
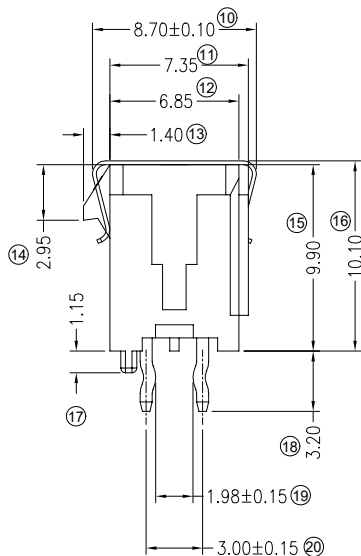
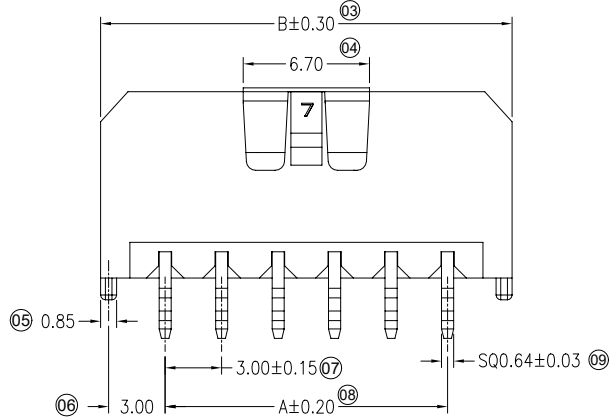
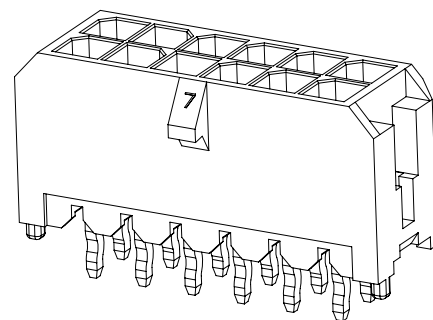
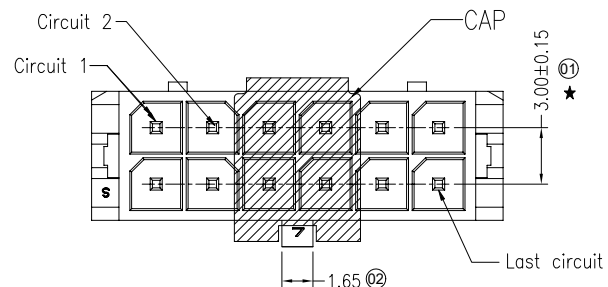


20221201	F1	/	ADD Plating Code	Jane	Larry Yang	GENERAL TOLERANCE				PART NO: 3025TM-PXX									
20200318	F	ER20191018002	Update Drawing Frame, The Same ECR And ECN No	Alan qin	Robing	.X \pm 0.30				TITLE: 3.00mm Crimp Style Connectors									
20191018	E	ER20191018002	Modify the tolerance of size 20	Alan qin	Robing	.XX \pm 0.20				APPROVAL									
						.XXX \pm 0.10				CHECK									
						X* \pm 2'				DRAWN									
						PROJECT				DATE									
DATE	REV	ECN NO.	DESCRIPTION	MODIFY	APPROVAL	PROJECT				Larry Yang	Jane	Wuxiaotao	2015/04/10	UNIT		SCALE	SHEET	REV	NUMBER
						PROJECT								mm	1:1	1/1	F1	CD	

SMS 东莞市思索技术股份有限公司
Dongguan SESO Technology Co.,Ltd.

RoHS

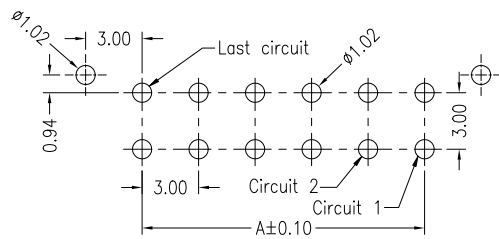
This products can apply to the SESO Doc NO. QA-3-04-005 of Environmental&Material Management Rules



- Specifications :
- Voltage rating: 250V AC / DC
 - Current rating: 5A Max AC / DC
 - Withstanding voltage: 1000V AC/minute
 - Temperature range: -40°C~+105°C
 - Insulation resistance: ≥1000MΩ
 - Contact resistance: ≤10mΩ
 - After environmental testing: ≤20mΩ
 - Material(Pin): Brass
 - Mates With SESO Housing: 3025HM-2*XX
- ★ "Critical dimension"

3025 W V X - 2*XX X - LP XX XX X
 ① ② ③ ④ ⑤ ⑥ ⑦ ⑧ ⑨ ⑩

- ① Series No.
- ② Category: W-Wafer
- ③ Connector Type: V-Straight 180°
- ④ Mouting Type: Blank-DIP
- ⑤ Row No.-Pin No Per Row: 2*XX-2*01P~2*12P
- ⑥ Special No.: Blank-Ordinary
- ⑦ Material: LP-LCP 94V-0;
- ⑧ Plating Code:
 SW-Matte Tin
 SN-Bright Tin
 V01-Gold Flash; V04-Gold 4u"
 G30-Contact Area Au 30u" Min; Solder Area Sn 100u"Min; Ni 50u" Min
- ⑨ Color: Blank-Black Color
- ⑩ Packing: Blank-Bag; T-Tray; R-Reel /Without CAP
 C-Reel /With CAP



Recommended P.C.B Layout
 General Tolerance±0.05

Poles	Dimensions(mm)		Poles	Dimensions(mm)	
	A	B		A	B
2*01	---	6.85	2*07	18.00	24.85
2*02	3.00	9.85	2*08	21.00	27.85
2*03	6.00	12.85	2*09	24.00	30.85
2*04	9.00	15.85	2*10	27.00	33.85
2*05	12.00	18.85	2*11	30.00	36.85
2*06	15.00	21.85	2*12	33.00	39.85

2023/10/10	B2		Update borders LOGO, Remove size C	Larry Lin	Jack Zhang
2022/08/17	B1		Add capping specifications for roll	Alan qin	Robing
2020/03/18	B	EN20170720002	Update Drawing Frame	Alan qin	Robing
DATE	REV	ECN NO.	DESCRIPTION	MODIFY	APPROVAL

GENERAL TOLERANCE	
.X	±0.30
.XX	±0.20
.XXX	±0.10
X.*	±2'
PROJECT	

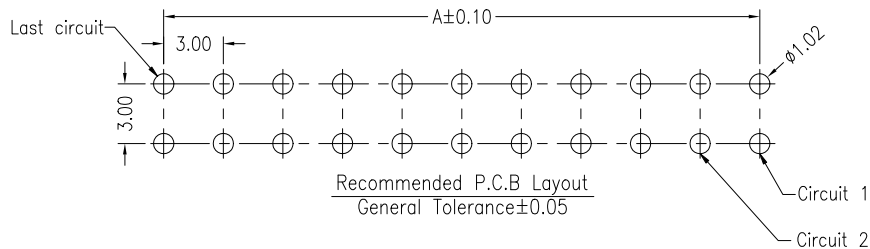
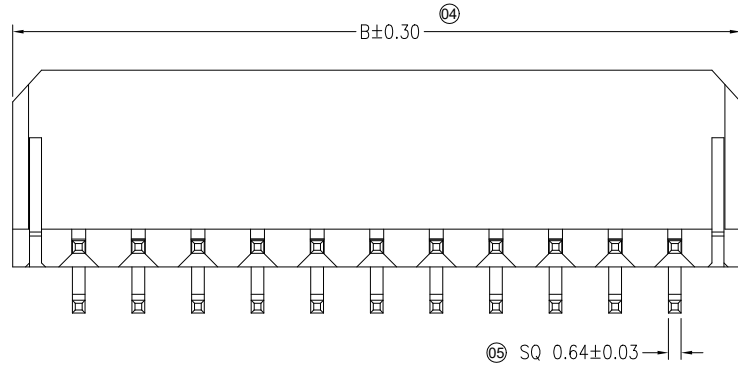
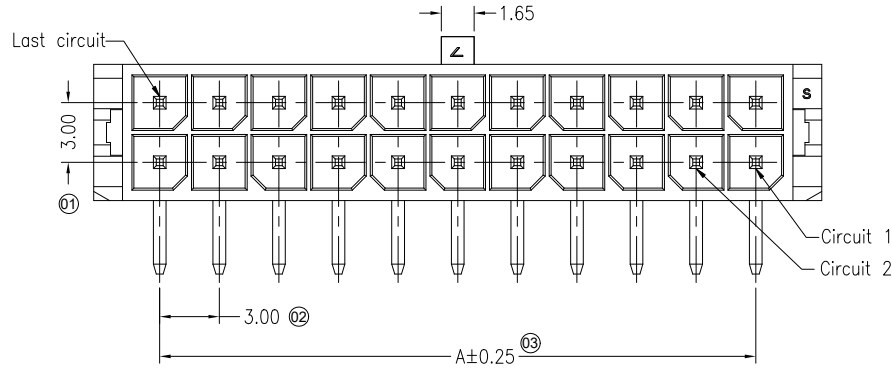
SMS 东莞市思索技术股份有限公司
 Dongguan SESO Technology Co.,Ltd.

APPROVAL	CHECK	DRAWN	DATE
Jack Zhang	Larry Yang	Larry Lin	2019/08/19

PART NO. 3025WV-2*XX-LPXXX				
TITLE 3.00mm Crimp Style Connectors				
UNIT	SCALE	SHEET	REV	NUMBER
mm	1:1	1/1	B2	CD

RoHS

This products can apply to the SWB Doc NO. QA-3-04-005 of Environmental&Material Management Rules

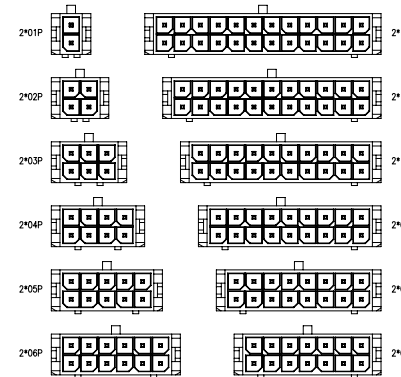
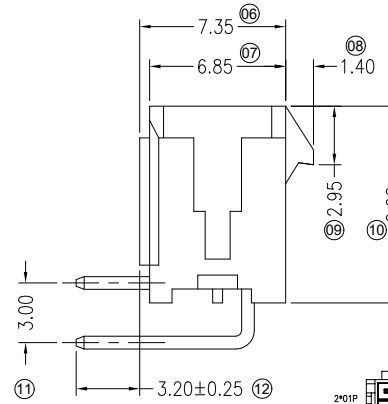


Specifications :

- Voltage rating: 250V AC / DC
- Current rating: 5A Max AC / DC
- Withstanding voltage: 1000V AC/minute
- Temperature range: -40°C~+105°C
- Insulation resistance: >1000MΩ
- Contact resistance: <10mΩ
- After environmental testing: <20mΩ
- Material(Pin): Brass
- Mates With SESO Housing:3025HM-2*XX

3025 W R X- 2*XX B-LP XX XX X
 ① ②③④ ⑤ ⑥⑦ ⑧ ⑨⑩

- ① Series No.
- ② Category: W-wafer
- ③ Connector Type: R-90°
- ④ Mounting Type: Blank-DIP
- ⑤ Row No.-Pin No Per Row: 2*XX-2*01P~2*12P
- ⑥ Special No.: B-Without Positioning Column
- ⑦ Material: LP-LCP 94V-0
- ⑧ Plating Code:
 G01-Contact Gold Flash
 SN-Bright Tin
 SW-Matte Tin
 G30-Contact Area Au 30u" Min;Solder Area Sn 100u"min; Ni 50u" Min
- ⑨ Color: Blank-Black
- ⑩ Packing: R-Reel ;T-Tray



Poles	Dimensions (mm)	
	A	B
2*01	---	6.65
2*02	3.00	9.65
2*03	6.00	12.65
2*04	9.00	15.65
2*05	12.00	18.65
2*06	15.00	21.65
2*07	18.00	24.65
2*08	21.00	27.65
2*09	24.00	30.65
2*10	27.00	33.65
2*11	30.00	36.65
2*12	33.00	39.65

Scale 1:3

DATE	REV	ECN ON.	DESCRIPTION	MODIFY	APPROVAL	PROJECT	APPROVAL	CHECK	DRAWN	DATE	PART NO.	TITLE	UNIT	SCALE	SHEET	REV	NUMBER					
2023/10/10	B1	/	Update borders LOGO	Larry Lin	Jack Zhang	GENERAL TOLERANCE .X ±0.30 .XX ±0.20 .XXX ±0.10 X.* ±2° PROJECT		APPROVAL	LARRY YANG	LARRY LIN	2018/10/10	3025WR-2*XXB-LPXXXX	3.00mm Crimp Style Connectors	mm	1:1	1/1	B1	CD				
2020/03/18	B	EN20170720002	Update Drawing Frame	Alan qin	Robing														APPROVAL	CHECK	DRAWN	DATE
																			Jack Zhang	Larry Yang	Larry Lin	2018/10/10

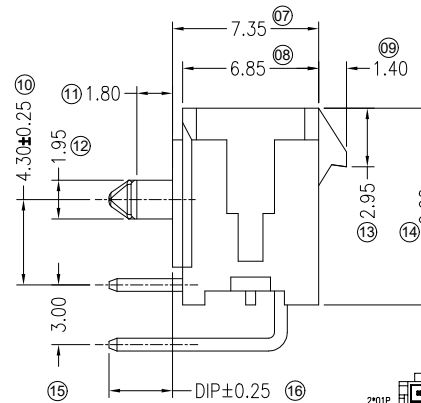
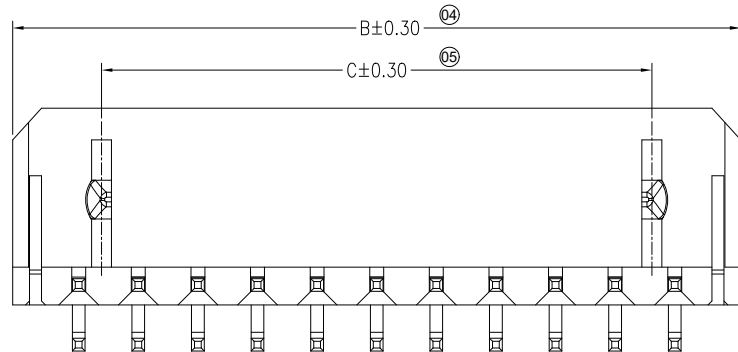
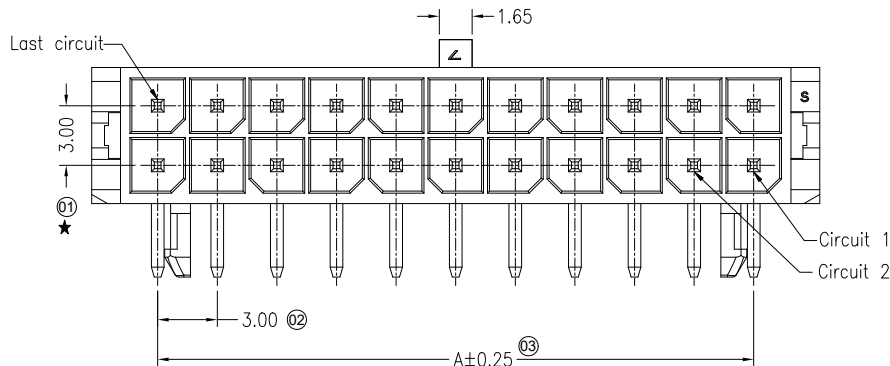
SMS 东莞市思索技术股份有限公司
 Dongguan SESO Technology Co.,Ltd.

RoHS

This products can apply to the SESO Doc NO. QA-3-04-005 of Environmental&Material Management Rules

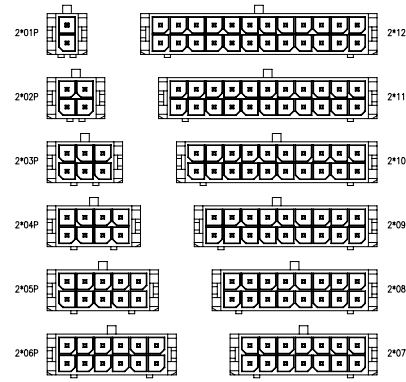
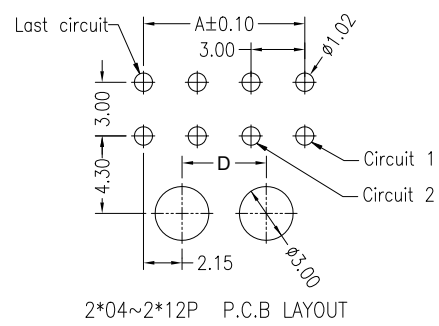
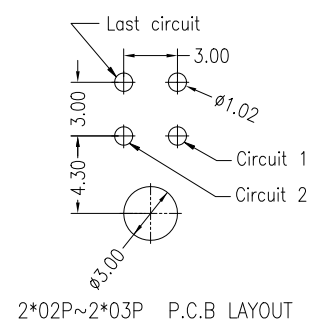
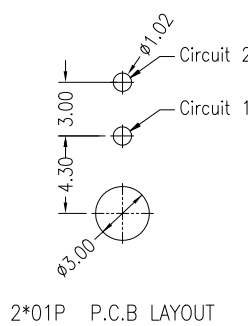


- Specifications :
- Voltage rating: 250V AC / DC
 - Current rating: 5A Max AC / DC
 - Withstanding voltage: 1000V AC/minute
 - Temperature range: -40°C~+105°C
 - Insulation resistance: >1000MΩ
 - Contact resistance: <10mΩ
 - After environmental testing: <20mΩ
 - Material(Pin):Brass
 - Mates With SESO Housing: 3025HM-2*XX
 - * ★ "Critical dimension"



3025 W R X- 2*XX X-LP XX XX X
 ① ② ③ ④ ⑤ ⑥ ⑦ ⑧ ⑨ ⑩

- ① Series No.
- ② Category: W-Wafer
- ③ Connector Type: R-Right Angle 90°
- ④ Mounting Type: Blank-DIP
- ⑤ Row No.-Pin No Per Row: 2*XX-2*01P~2*12P
- ⑥ Special No.: Blank-DIP 3.20mm J-DIP 2.20mm
- ⑦ Material: LP-LCP 94V-0
- ⑧ Plating Code:
 G01-Contact Gold Flash
 SN-Bright Tin
 SW-Matte Tin
 G30-Contact Area Au 30u" Min;Solder Area Sn 100u"min; Ni 50u" Min
- ⑨ Color: Blank-Black
- ⑩ Packing: R-Reel ;T-Tray



Scale 1:3

Poles	Dimensions (mm)		
	A	B	C
2*01	---	6.65	2.00
2*02	3.00	9.65	2.00
2*03	6.00	12.65	2.00
2*04	9.00	15.65	6.70
2*05	12.00	18.65	9.70
2*06	15.00	21.65	12.70
2*07	18.00	24.65	15.70
2*08	21.00	27.65	18.70
2*09	24.00	30.65	21.70
2*10	27.00	33.65	24.70
2*11	30.00	36.65	27.70
2*12	33.00	39.65	30.70

2022/11/02	B1	/	ADD DIP=2.20mm SPEC	Jane	Larry
2020/03/18	B	EN20200318001	Update Drawing Frame	Alan qin	Robing
DATE	REV	ECN NO.	DESCRIPTION	MODIFY	APPROVAL

GENERAL TOLERANCE	
.X	±0.30
.XX	±0.20
.XXX	±0.10
X.'	±2'
PROJECT	

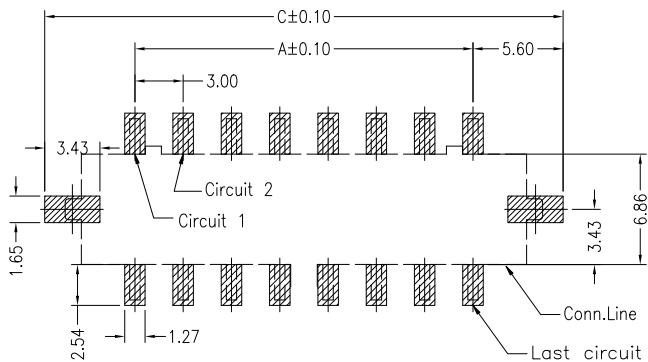
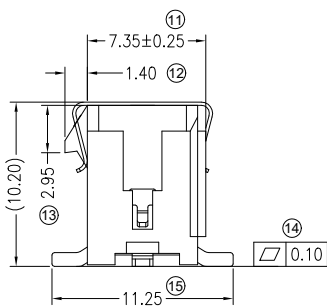
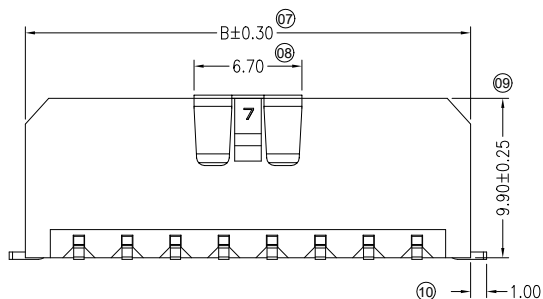
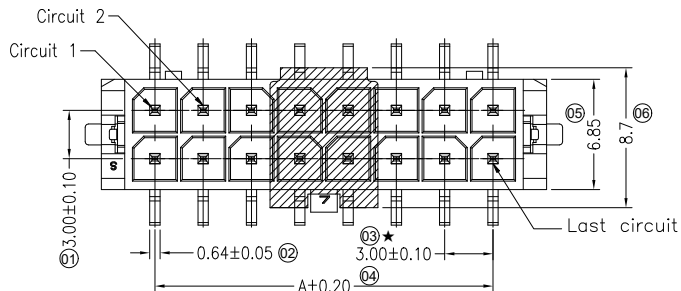
SMS 东莞市思索技术股份有限公司
 Dongguan SESO Technology Co.,Ltd.

APPROVAL	CHECK	DRAWN	DATE
Larry	Jane	Alan qin	2017/05/03

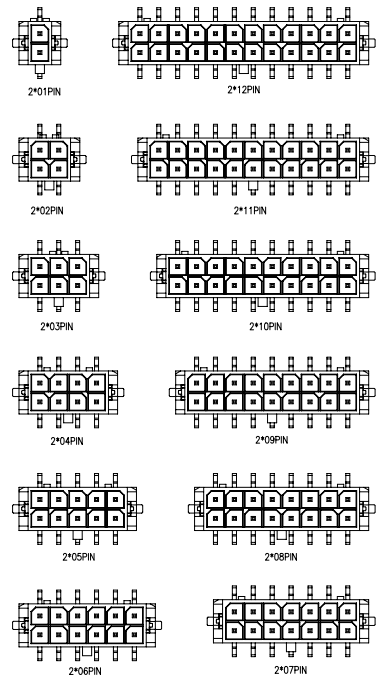
PART NO.				
3025WR-2*XXX-LPXXXX				
TITLE				
3.00mm Crimp Style Connectors				
UNIT	SCALE	SHEET	REV	NUMBER
mm	1:1	1/1	B1	CD

RoHS

This products can apply to the SESO Doc NO. QA-3-04-005 of Environmental&Material Management Rules



Recommended P.C.B Layout
General Tolerance±0.05



Specifications :

- Voltage rating: 250V AC / DC
- Current rating: 5A Max AC / DC
- Withstanding voltage: 1000V AC/minute
- Temperature range: -40°C~+105°C
- Insulation resistance:>1000MΩ
- Contact resistance: ≤10mΩ
- After environmental testing: ≤20mΩ
- Material(Pin&Solder tab):Brass(C2680)
- Finish(Solder tab):Matte Tin plating
- Mates With SESO Housing:3025HM-2*XX
- "★"Critical dimension

3025 W V S-2*XX D-LP XX XX
① ② ③ ④ ⑤ ⑥ ⑦ ⑧ ⑨

- ① Series No.
- ② Category: W-wafer
- ③ Connector type: V-Stright 180°
- ④ Mounting type: S-SMT
- ⑤ Row No.-Pin No per row: 2*XX-2*01P~2*12P
- ⑥ Special No.: D-The Solder tab
- ⑦ Material: LP-LCP 94V-0
- ⑧ Plating code:
SW-Ni 50u"Min;Matte Tin 100u"Min
G30-Contact Area Au 30u"Min;
Solder Area Ni 50u"Min;Matte Tin 100u"Min
G15-Contact Area Au 15u"Min;
Solder Area Ni 50u"Min;Matte Tin 100u"Min
- ⑨ Color: Blank-Black

Poles	Dimensions(mm)		
	A	B	C
2*01	---	6.65	11.20
2*02	3.00	9.65	14.20
2*03	6.00	12.65	17.20
2*04	9.00	15.65	20.20
2*05	12.00	18.65	23.20
2*06	15.00	21.65	26.20
2*07	18.00	24.65	29.20
2*08	21.00	27.65	32.20
2*09	24.00	30.65	35.20
2*10	27.00	33.65	38.20
2*11	30.00	36.65	41.20
2*12	33.00	39.65	44.20

2022/04/28	C1	/	Add Conne.Line	Jane	Larry
2020/03/18	c	EN20170720002	Update Drawing Frame, The Same ECR And ECN No	Alan qin	Robing
2017/07/20	B	EN20170720002	Change the card point structure to improve card retention	Jova Lau	Jacky
DATE	REV	ECN NO.	DESCRIPTION	MODIFY	APPROVAL

GENERAL TOLERANCE	
.X	±0.30
.XX	±0.20
.XXX	±0.10
X.* ±2"	
PROJECT	

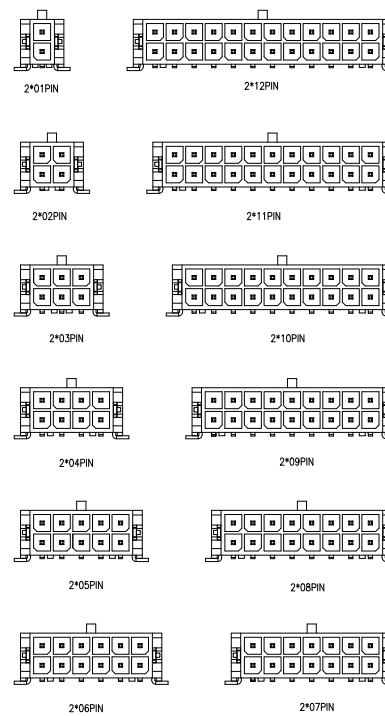
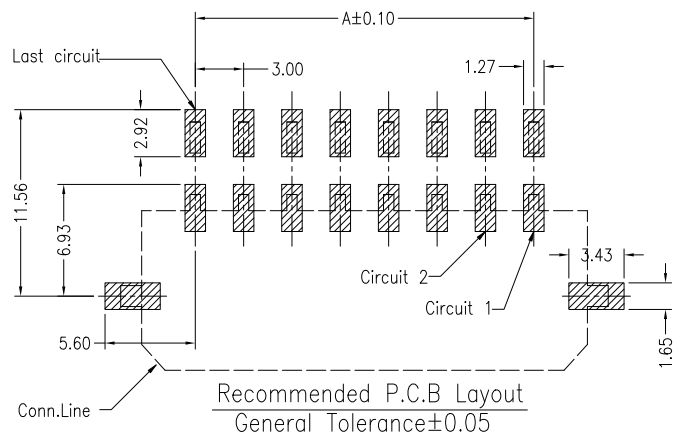
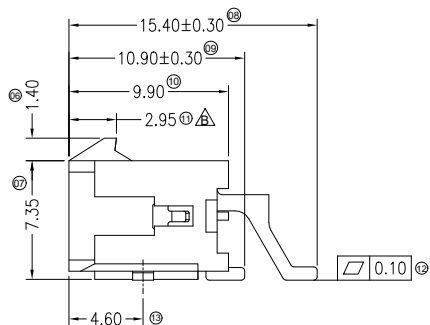
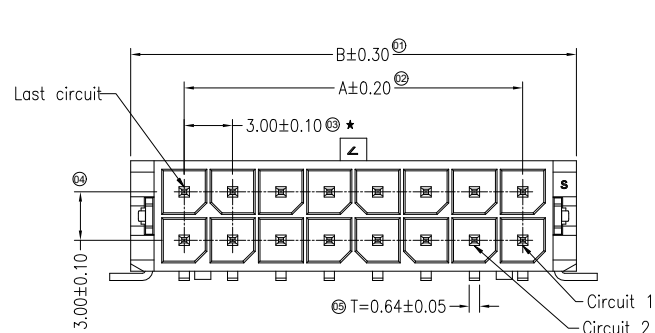
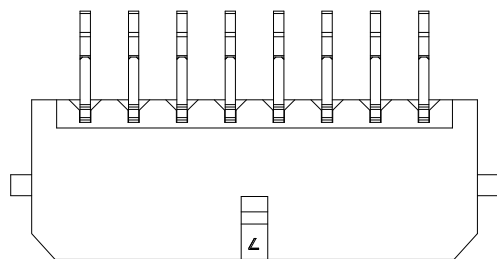
SMS 东莞市思索技术股份有限公司
Dongguan SESO Technology Co.,Ltd.

APPROVAL	CHECK	DRAWN	DATE
Larry	Jane	Joshua	2016/09/08

PART NO. 3025WVS-2*XXD-LPXXX				
TITLE 3.00mm Crimp Style Connectors				
UNIT	SCALE	SHEET	REV	NUMBER
mm	1:1	1/1	C1	CD

RoHS

This products can apply to the SESO Doc NO. QA-3-04-005 of Environmental&Material Management Rules



Specifications :

- Voltage rating: 250V AC / DC
- Current rating: 5A Max AC / DC
- Withstanding voltage: 1000V AC/minute
- Temperature range: -40°C~+105°C
- Insulation resistance:>1000MΩ
- Contact resistance: <10mΩ
- After environmental testing:<20mΩ
- Material(Pin):Brass
- Material(Solder Tabs):Brass
- Finish(Solder Tabs):Matte Tin Plating
- Mates With SESO Housing:3025HM-2*XX
- "★"Critical dimension

3025 W R S- 2*XX D - LP XX XX
① ② ③ ④ ⑤ ⑥ ⑦ ⑧ ⑨

- ① Series No.
- ② Category: W-wafer
- ③ Connector type: R-Right Angle 90°
- ④ Mounting type: S-SMT
- ⑤ Row No.-Pin No per row: 2*XX-Double row
- ⑥ Special NO.: D-Solder tab type
- ⑦ Material: LP-LCP 94V-0
- ⑧ Plating code:
SW-Ni 50u" Min; Matte Tin 100u"Min
G30-Contact Area Au 30u" Min;
Solder Area Ni 50u" Min; Matte Tin 100u"Min
G15-Contact Area Au 15u" Min;
Solder Area Ni 50u" Min; Matte Tin 100u"Min
- ⑨ Color: Blank-Black

Poles	Dimensions(mm)	
	A	B
2*01	6.65	6.65
2*02	9.65	9.65
2*03	12.65	12.65
2*04	15.65	15.65
2*05	18.65	18.65
2*06	21.65	21.65
2*07	24.65	24.65
2*08	27.65	27.65
2*09	30.65	30.65
2*10	33.65	33.65
2*11	36.65	36.65
2*12	39.65	39.65

2023/10/10	C2	/	Update borders LOGO, Remove size C	Larry Lin	Jack Zhang
2022/04/28	C1	/	Add Conn.Line	Jane	Larry
2020/03/18	C	ER20170707001	Update Drawing Frame, The Same ECR And ECN No	Alan qin	Robing
DATE	REV	ECN NO.	DESCRIPTION	MODIFY	APPROVAL

GENERAL TOLERANCE		东莞市思索技术股份有限公司 Dongguan SESO Technology Co.,Ltd.			
.X	±0.30				
.XX	±0.20				
.XXX	±0.10				
X.*	±2'	APPROVAL	CHECK	DRAWN	DATE
PROJECT		Jack Zhang	Larry Yang	Larry Lin	2016/09/08

PART NO.				
3025WRS-2*XXD-LPXXX				
TITLE				
3.00mm Crimp Style Connectors				
UNIT	SCALE	SHEET	REV	NUMBER
mm	1:1	1/1	C2	CD