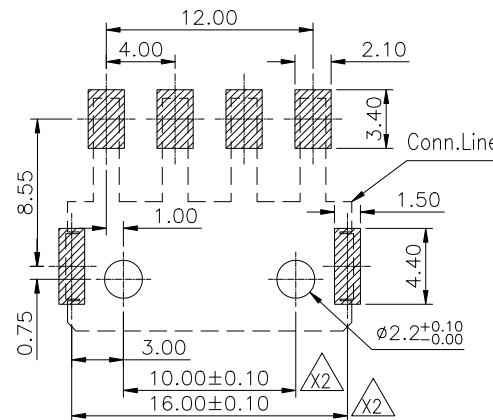
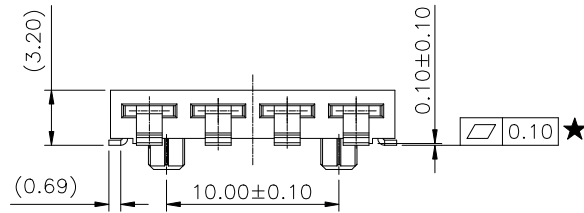
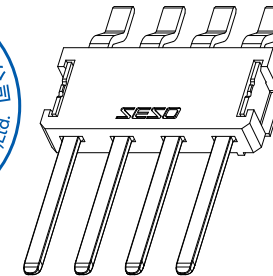


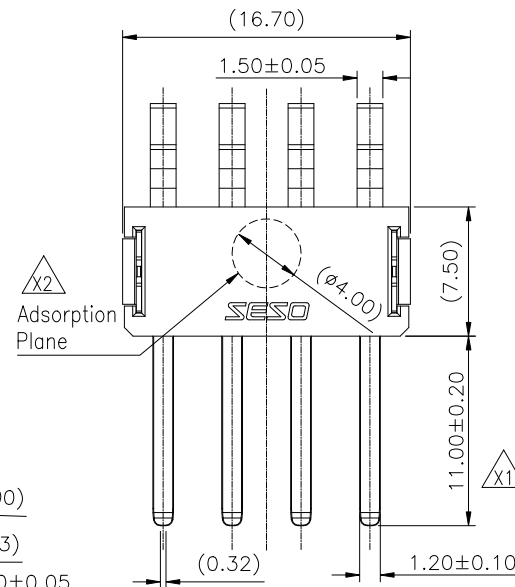
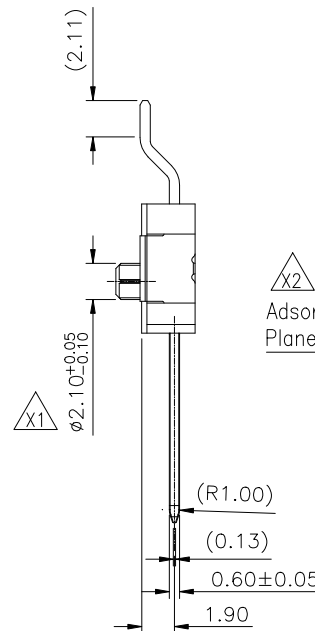
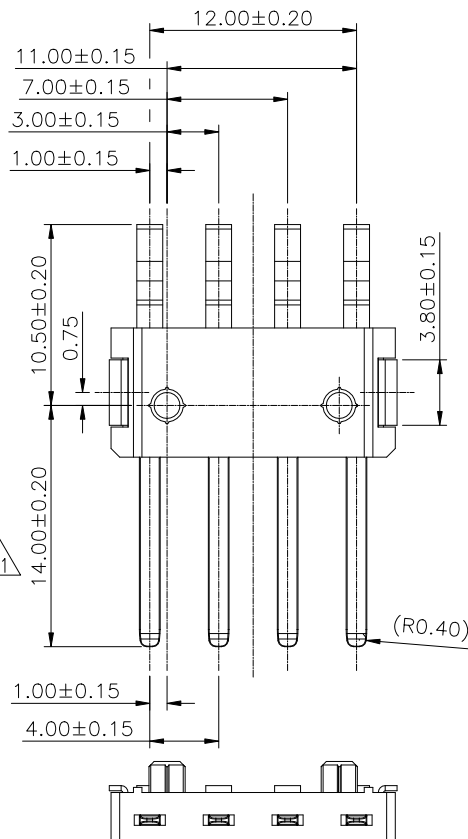
RoHS

This products can apply to the SESO Doc NO. QA-3-04-005 of Environmental&Material Management Rules

Preliminary drawing  
This is subject to change without notice



Recommended P.C.B Layout  
General Tolerance±0.05



Specifications :

- Current rating: 3A AC/DC
- Withstanding voltage: 500V AC/minute
- Temperature range: -40°C~+125°C
- Insulation resistance: >1000M $\Omega$
- Contact resistance: <math>\leq 15m\Omega</math>
- After environmental testing: <math>\leq 15m\Omega</math>
- Material(Pin and Solder Tabs):Brass
- Plating:Sn 120~160u", Ni 40~120u"

4009 W R S-04 P-9T SW B R 01 Q  
① ② ③ ④ ⑤ ⑥ ⑦ ⑧ ⑨ ⑩ ⑪ ⑫

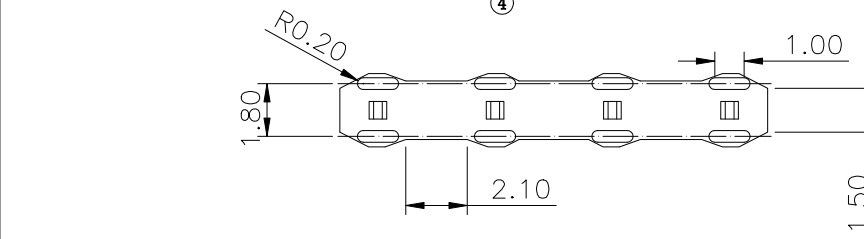
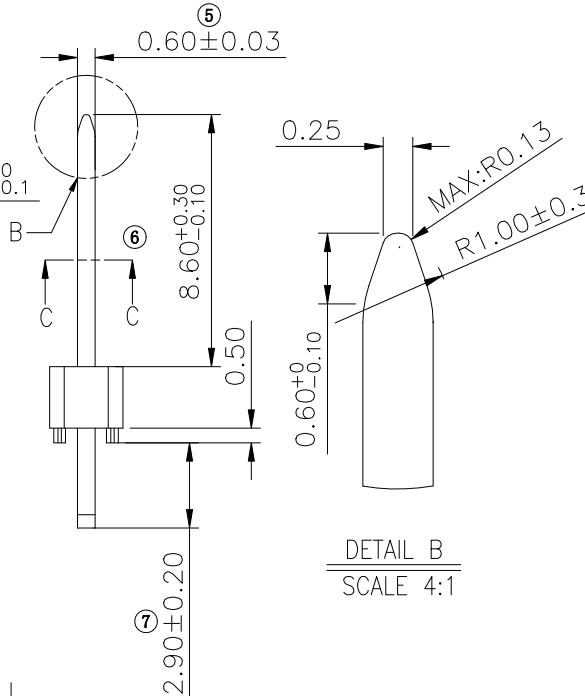
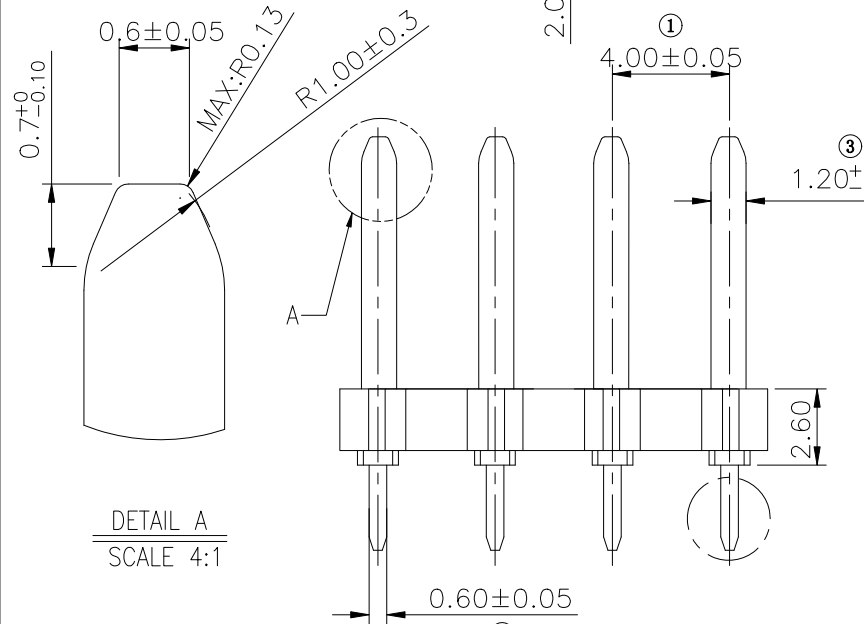
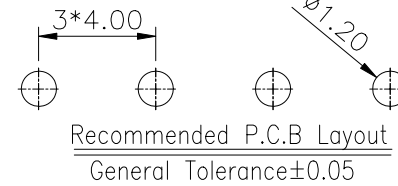
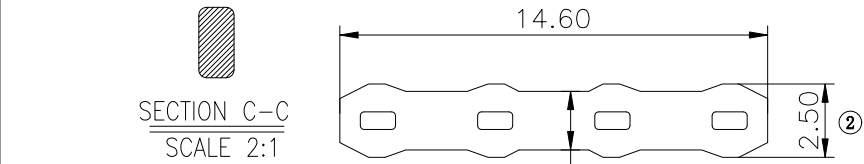
- ① Series No.:
- ② Category: W-Wafer
- ③ Connector Type: R-Right Angle 90°
- ④ Mounting Type: S-SMT
- ⑤ Row No.-Pin No.: 04-04Pin
- ⑥ Special NO.: P-With Post
- ⑦ Plastic Material: 9T-PA9T UL94V-0
- ⑧ Plating Code: SW-Matte Tin plating
- ⑨ Color: B-Black
- ⑩ Packing: R-Reel
- ⑪ 01: 6.00/7.50/12.50
- ⑫ Special code:Q-Automotive Connectors

20231211	X4	/	Update Drawing	Jane	Larry Yang	GENERAL TOLERANCE .X ±0.35 .XX ±0.25 .XXX±0.15 X.' ±2' PROJECT 	<b>SMS</b> 东莞市思索技术股份有限公司 Dongguan SESO Technology Co.,Ltd.	PART NO.				4009WRS-04P-9TSWBR-01Q						
20231115	X3	/	Update Drawing	Jane	Larry Yang			APPROVAL CHECK DRAWN DATE	TITLE									
20231107	X2	/	Update Drawing	Jane	Larry Yang				4.00mm Crimp Style Connectors									
DATE	REV	ECN NO.	DESCRIPTION	MODIFY	APPROVAL			Jack Zhang	Larry Yang	Jane	2023/06/08	UNIT	SCALE	SHEET	REV	NUMBER		
1	2	3	4	5	6	7	8	mm	1:1	1/1	X4	CD						

RoHS

This products can apply to the SESO Doc NO. QA-3-04-005 of Environmental&Material Management Rules

RD-1



Specifications :

- Insulating material: High temp. Thermoplast UL94V-0
- Contact material: BrassH65
- Plating: Tin
- Voltage rating: 250V Max. AC / DC
- Current rating: 3A Max.AC / DC
- Withstanding voltage: 500V AC/minute
- Temperature range: -40°C~+125°C
- Max.processing temp: 260°C for 10seconds
- Contact pin retention force: 1.0kgf/pin

4009 W V - 04-9T SN4 G - 01  
 ① ② ③ ④ ⑤ ⑥ ⑦ ⑧

- ① Series No.
- ② Category: W-wafer
- ③ Connector Type: V-Vertical 180°
- ④ Row No.-Pin No: 04-04Pin
- ⑤ Plastic material: 9T- PA9T+30%GF UL94V-0;
- ⑥ Plating Code:  
 SN4- Underplate:Ni 50~80u"(1.25~2.0um)  
 Top plating:bright Sn 40~160u"(1.0~4.0um)
- ⑦ Packing: G-Tube
- ⑧ 01-3.0/2.6/8.6

					GENERAL TOLERANCE .X ±0.35 .XX ±0.25 .XXX ±0.15 X° ±2° PROJECT				<b>SMS</b> 东莞市思索技术股份有限公司 Dongguan SESO Technology Co.,Ltd.				PART NO. 4009WV-04-9TSN4G-01							
					APPROVAL Jason. Huang				CHECK Harvey Yan				DRAWN Wang				DATE 2020/10/14			
20240129 A1 / Initial release Aump chua Larry YANG					DATE REV ECN NO. DESCRIPTION MODIFY APPROVAL					TITLE 4.0mm Pin Header connectors					UNIT SCALE SHEET REV NUMBER mm 1:1 1/1 A1 A-013					