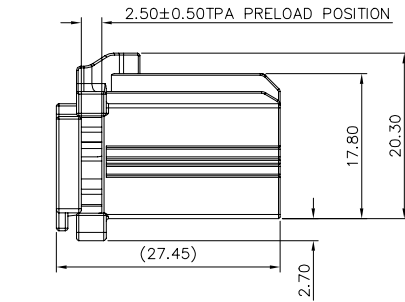
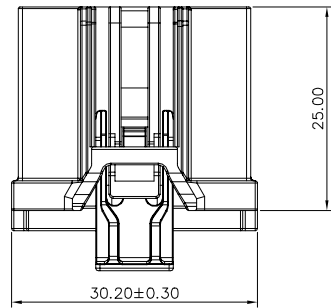
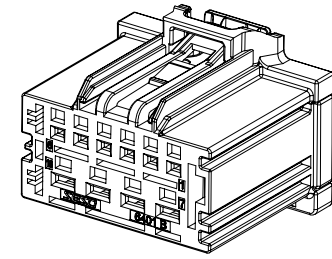
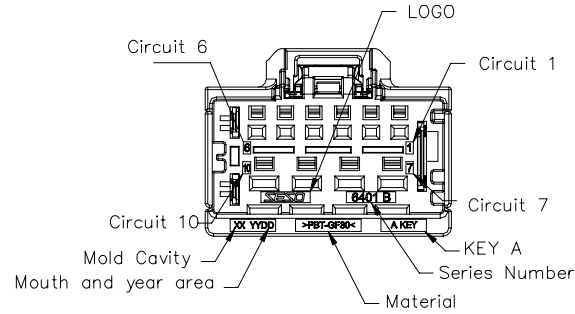


RoHS

This products can apply to the SESO Doc NO.QA-3-04-005 of Environmental&Material Management Rules

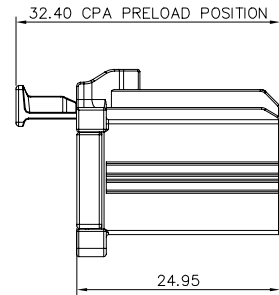
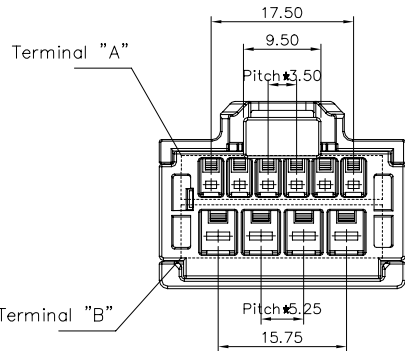


TPA PRE-LOCK AS ASSEMBLED(Without CPA)

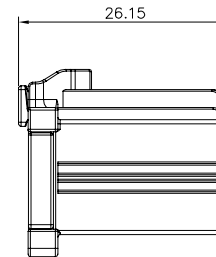


Specifications:

- Rated voltage: 250V AC/DC
- Rated current: 30A Max. AC/DC
- Contact resistance: $\leq 20m\Omega$
- Withstanding voltage: 500V AC/minute
- Temperature range: $-40^{\circ}C \sim +125^{\circ}C$
- Insulation resistance: $>100M\Omega$
- Mates With SESO WF: 6401WR-B10X & 6401WV-B10X
- Symbols for SPC dimensions: "★"
- Product Specification: PS-6401-1



TPA FINAL-LOCK AS ASSEMBLED(With CPA)

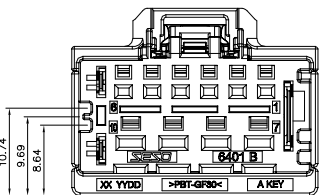


CPA FINAL-LOCK

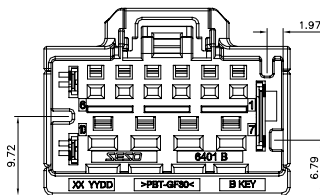


6401 A M - B 10 X X -PT XX
① ②③ ④ ⑤ ⑥ ⑦ ⑧ ⑨

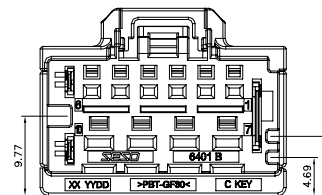
- ① Series No.: 6401
- ② Category: A-TPA Pre-Assembly Housing
- ③ Connector type: M-Male Housing
- ④ C-C Style
- ⑤ Row No.-Pin No.: 10-10 Pin
- ⑥ CPA: E-With CPA; Empty code-Without CPA
- ⑦ Key code: A-Key A, B-Key B, C-Key C
- ⑧ Plastic Material: PT-PBT(UL94V-0)
- ⑨ Color: BK-Black; BR-Brown; GY-Gray



Key A



Key B



Key C

Terminal	P/N	Material	Wire	Applicable Housing Pin Circuits
A	6401TXF-120-HY2B	High conductivity copper	AWG#14~22 (2.50~0.35mm ²)	Applied to circuits 1 to 6
B	6401TXF-250-HY2B		AWG#12~22 (4.00~0.35mm ²)	Applied to circuits 7 to 10

Note: Please refer to the crimping specification for details

20240111	X3		Change of material discharge hole	Yang He	Meng Yang
20231117	X2		Update terminal description	Yang He	Meng Yang
20230831	X1		Update structure	Yang He	Meng Yang
DATE	REV	ECN NO	DESCRIPTION	MODIFY	APPROVAL

GENERAL TOLERANCE	
.X	±0.35
.XX	±0.25
.XXX	±0.15
X.*	±2°
PROJECT	

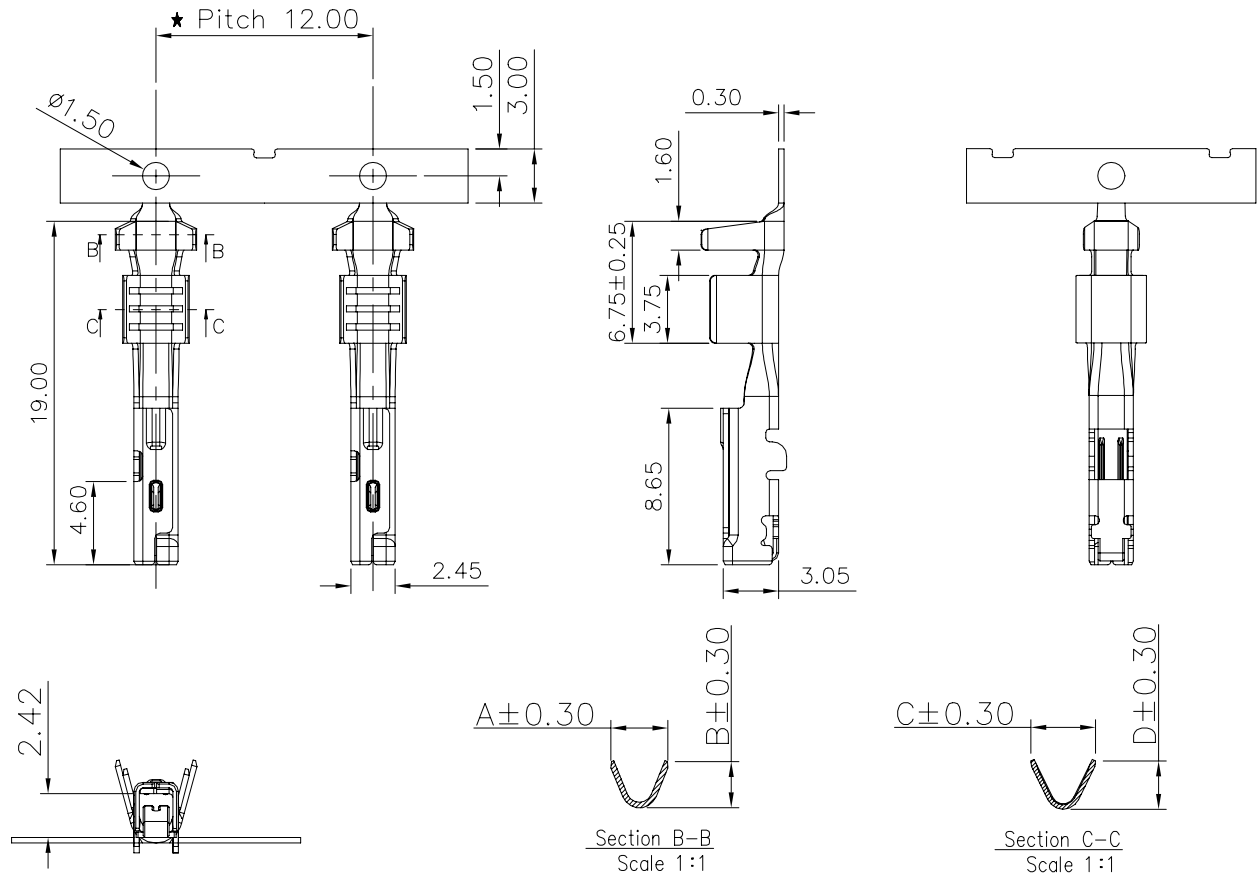
SMS 东莞市思索技术股份有限公司
Dongguan SESO Technology Co.,Ltd.

APPROVAL	CHECK	DRAWN	DATE
Jack Zhang	Meng Yang	Yang He	2023.06.14

PART NO. 6401AM-B10XX-PTXX				
TITLE 6401 Series Housing				
UNIT	SCALE	SHEET	REV	NUMBER
mm	1:1	1/1	X3	XXXX

RoHS

This products can apply to the SESO Doc NO.QA-3-04-005 of Environmental&Material Management Rules



- Specifications :
- Voltage rating: 250V Max. AC/DC
 - Current rating: 20A Max. AC/DC
 - Withstanding voltage: 500V AC/minute
 - Temperature range: -40°C~+125°C
 - Insulation resistance: $\geq 100M\Omega$
 - Contact resistance: $\leq 20m\Omega$
 - Mates With SESO Housing: H6401M-B10X
 - Symbols for SPC dimensions: " ★ "
 - Product Specification: PS-6401-1

6401 I X F- 120 -H Y2 B
 ① ② ③ ④ ⑤ ⑥ ⑦ ⑧

- ① Series No.: 6401
- ② Category: T-Terminal
- ③ Appearance type: H-3.90*3.80, Blank-3.00*2.80, L-2.15*2.20
- ④ Connector Type: :F-Female
- ⑤ 120-1.20mm
- ⑥ Material: H-High conductivity copper
- ⑦ Plating Code:
Y2-Top Plating: Sn 40~120u*(1~3um)overall
- ⑧ B-Plating before flushing

6401THF-120-HY2B	High conductivity copper	AWG#16~14 (1.50~2.50mm ²)	Ø2.70mm MAX	4.80	4.65	3.80	3.90
6401TF-120-HY2B		AWG#20~18 (0.50~1.00mm ²)	Ø2.20mm MAX	3.50	3.80	2.80	3.00
6401TLF-120-HY2B		AWG#22 (0.35mm ²)	Ø1.70mm Max	2.50	2.80	2.20	2.15
P/N	Material	Wire	Insulation O.D.	DIM A	DIM B	DIM C	DIM D

20231115	X3	Change P/N and Crimping size	Yang He	Meng Yang	
20230905	X2		Update specifications	Yang He	Meng Yang
20230831	X1		Update strip size	Yang He	Meng Yang
DATE	REV	ECN NO	DESCRIPTION	MODIFY	APPROVAL

GENERAL TOLERANCE
 .X ±0.35
 .XX ±0.25
 .XXX ±0.15
 X.* ±2*

PROJECT
 Jack Zhang

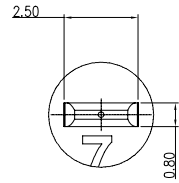
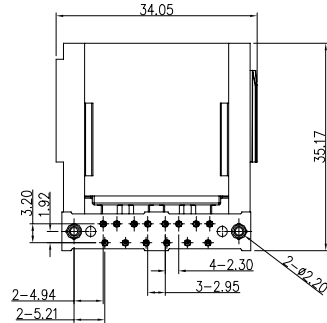
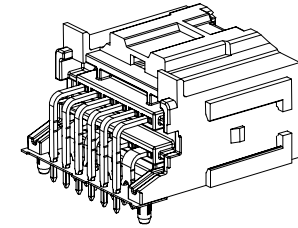
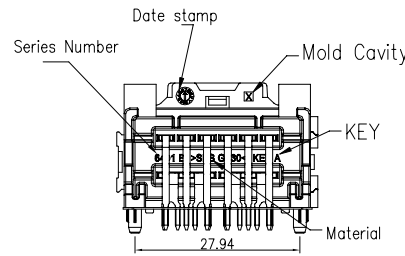
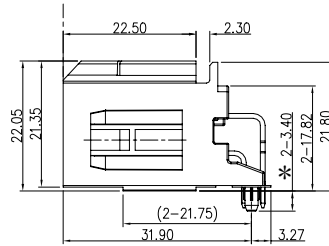
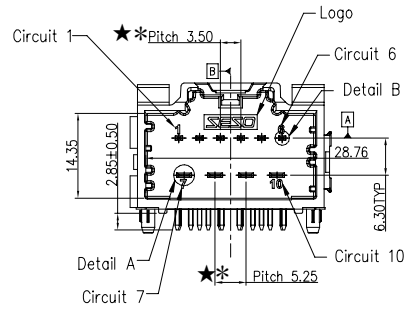
SMS 东莞市思索技术股份有限公司
 Dongguan SESO Technology Co.,Ltd.

APPROVAL: Meng Yang
 CHECK: Yang He
 DRAWN: Jack Zhang
 DATE: 2023.06.14

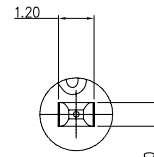
PART NO. 6401TXF-120-HY2B				
TITLE 6401 Series 120 Terminal				
UNIT	SCALE	SHEET	REV	NUMBER
mm	1:1	1/1	X3	XXXX

RoHS

This products can apply to the SESO Doc NO.QA-3-04-005 of Environmental&Material Management Rules



Detail A
SCALE 5:1



Detail B
SCALE 5:1

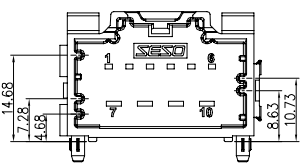


Specifications :

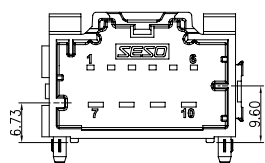
- Rated voltage: 250V AC/DC
- Rated current: 20A Max. AC/DC (<1.20PIN> 30A Max. AC/DC (<2.50PIN>)
- Contact resistance: <20mΩ
- Withstanding voltage: 500V AC/minute
- Temperature range: -40°C~+125°C
- Material (Pin): High conductivity copper
- Insulation resistance: >100MΩ
- Mates With SESO Housing: 6401AM-B10X-PTXX
- Symbols for SPC dimensions: "★"
- Product Specification: PS-6401-1

6401 W R-B 10 X-SS SN1 X X
① ② ③ ④ ⑤ ⑥ ⑦ ⑧ ⑨ ⑩

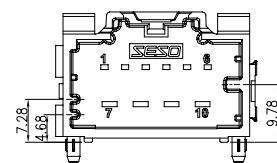
- ① Series No.: 6401
- ② Category: W-Wafer
- ③ Connector Tyoe: R-Right Angle 90°
- ④ B-B style
- ⑤ Row No.-Pin No.: 10-10 Pin
- ⑥ Coding Key Code: A-Key A; B-Key B; C-Key C
- ⑦ Plastics Material: SS-SPS GF30
- ⑧ Plating Code: SN1-Bright Tin
Underplate: Ni 40~120u"(1~3um) overall
Top Plating: Sn 80~200u"(2~5um) overall
- ⑨ Color: B-Black, Z-Brown, G-Gray
- ⑩ Packing: T-Tray



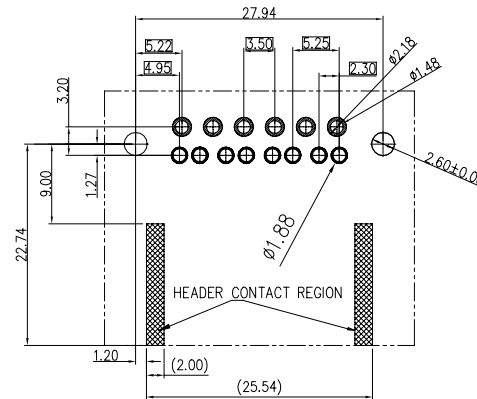
Key A



Key B



Key C

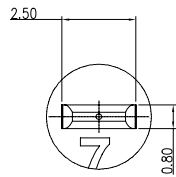
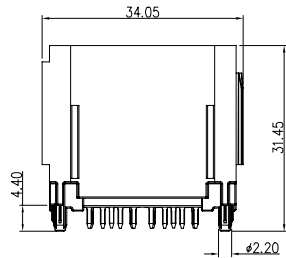
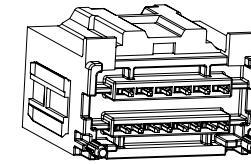
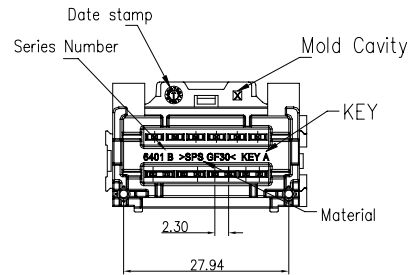
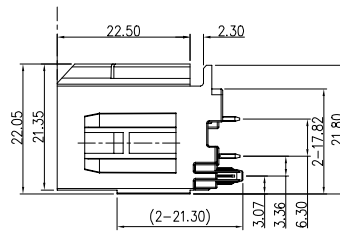
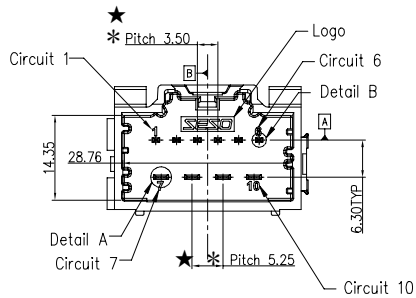


APPLICABLE P.C.B LAYOUT (REF.)
General Tolerance ±0.05 SCALE 1.5:1
P.C.B THICKNESS t=1.6mm

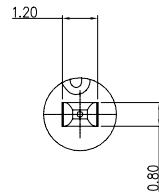
A	2023.11.15	X3		Cancel the rib structure	Yang He	Meng Yang	GENERAL TOLERANCE	东莞市思索技术股份有限公司 Dongguan SESO Technology Co.,Ltd.	PART NO. 6401WR-B10X-SSSN1XX							
	2023.09.05	X2		Update dimensions	Yang He	Meng Yang	.X ±0.35		TITLE 6401 Series 90° WF							
	2023.08.31	X1		Update structure	Yang He	Meng Yang	.XX ±0.25		APPROVAL	CHECK	DRAWN	DATE				
							.XXX±0.15		Jack Zhang	Meng Yang	Yang He	2023.06.14				
	DATE	REV	ECN NO	DESCRIPTION	MODIFY	APPROVAL	PROJECT									
												UNIT	SCALE	SHEET	REV	NUMBER
												mm	1:1	1/1	X3	XXXX

RoHS

This products can apply to the SESO Doc NO.QA-3-04-005 of Environmental&Material Management Rules



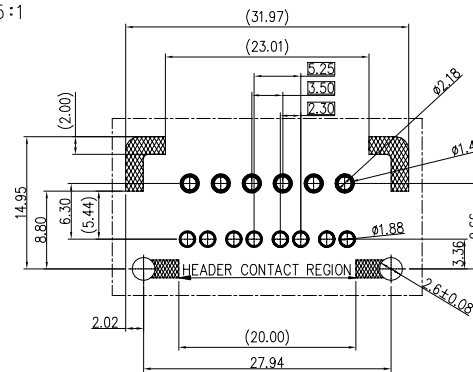
Detail A
SCALE 5:1



Detail B
SCALE 5:1



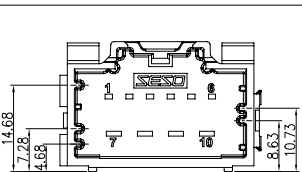
- Specifications:
- Rated voltage: 250V AC/DC
 - Rated current: 20A Max. AC/DC (<1.20PIN)
30A Max. AC/DC (<2.50PIN)
 - Contact resistance: <20mΩ
 - Withstanding voltage: 500V AC/minute
 - Temperature range: -40°C~+125°C
 - Material (Pin): High conductivity copper
 - Insulation resistance: >100MΩ
 - Mates With SESO Housing: 6401AM-B10X-PTXX
 - Symbols for SPC dimensions: "★"
 - Product Specification: PS-6401-1



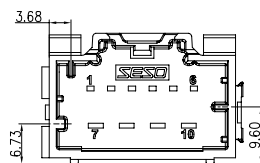
APPLICABLE P.C.B. LAYOUT (REF.)
General Tolerance ±0.05 SCALE 1.5:1
P.C.B THICKNESS t=1.6mm

6401 W V-B 10 X-SS SN1 X X
① ② ③ ④ ⑤ ⑥ ⑦ ⑧ ⑨ ⑩

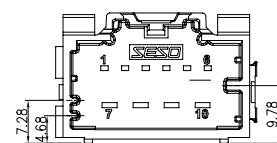
- ① Series No.: 6401
- ② Category: W-Wafer
- ③ Connector Tyoe: V-Straight Angle 180°
- ④ B-B style
- ⑤ Row No.-Pin No.: 10-10 Pin
- ⑥ Coding Key Code: A-Key A; B-Key B; C-Key C
- ⑦ Plastics Material: SS-SPS GF30
- ⑧ Plating Code: SN1-Bright Tin
- Underplate: Ni 40~120u" (1~3um) overall
- Top Plating: Sn 80~200u" (2~5um) overall
- ⑨ Color: B-Black, Z-Brown, G-Gray
- ⑩ Packing: T-Tray



Key A



Key B



Key C

A	2023.11.15	X3	Cancel the rib structure	Yang He	Meng Yang	东莞市思索技术股份有限公司 Dongguan SESO Technology Co., Ltd.				PART NO. 6401WV-B10X-SSSN1XX										
	2023.09.05	X2		Update dimensions	Yang He					Meng Yang	TITLE 6401 Series 180° WF									
	2023.08.31	X1		Update structure	Yang He					Meng Yang	APPROVAL	CHECK	DRAWN	DATE	UNIT mm		SCALE 1:1	SHEET 1/1	REV X3	NUMBER XXXX
	DATE	REV		ECN NO	DESCRIPTION					MODIFY	APPROVAL	PROJECT	Jack Zhang	Meng Yang	Yang He	2023.06.14				