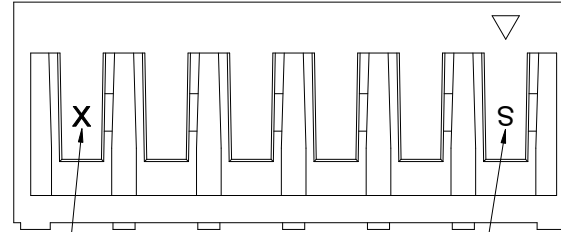
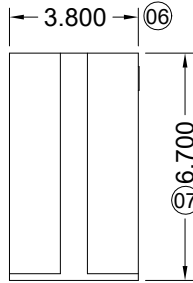
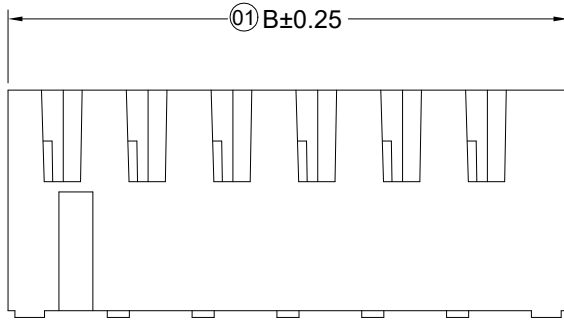
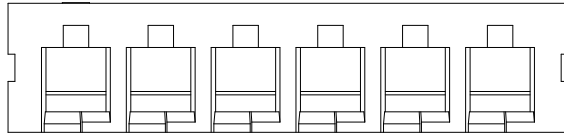
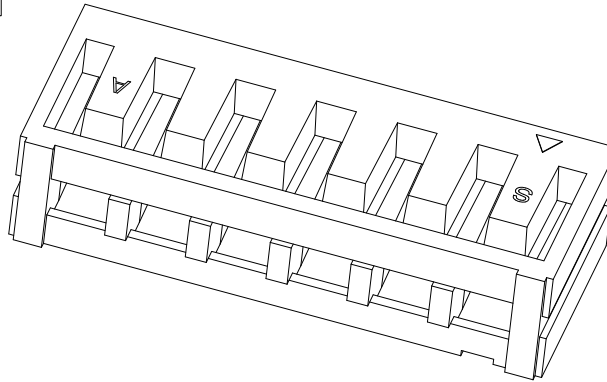


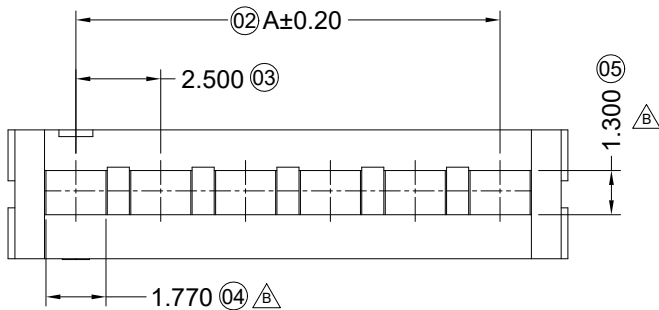
RoHS

This products can apply to the SWB Doc NO. QA-3-04-005 of Environmental&Material Management Rules



Cavity No:A,B,C...

△Logo-"S"



■ Specifications :

- Voltage rating: 250V AC / DC
- Current rating: 3A AC / DC
- Withstanding voltage: 800V AC/minute
- Temperature range: -40°C~+105°C
- Insulation resistance:≥1000MΩ
- Suitable SWB Terminal:9025TR

9025 H R-XX X-N0 XX

① ② ③ ④ ⑤ ⑥ ⑦

- ① Series No.
- ② Category: H-HSG
- ③ Connector type: R-90°
- ④ Row No.-Pin No per row: XX-02P~16P
- ⑤ Special No.:
- ⑥ Material: N0-PA66 UL 94V-0
- ⑦ Color: Blank-Natural Color



Poles	Dimensions (mm)		Poles	Dimensions (mm)	
	A	B		A	B
02	2.50	6.50	10	22.50	26.50
03	5.00	9.00	11	25.00	29.00
04	7.50	11.50	12	27.50	31.50
05	10.00	14.00	13	30.00	34.00
06	12.50	16.50	14	32.50	36.50
07	15.00	19.00	15	35.00	39.00
08	17.50	21.50	16	37.50	41.50
09	20.00	24.00			

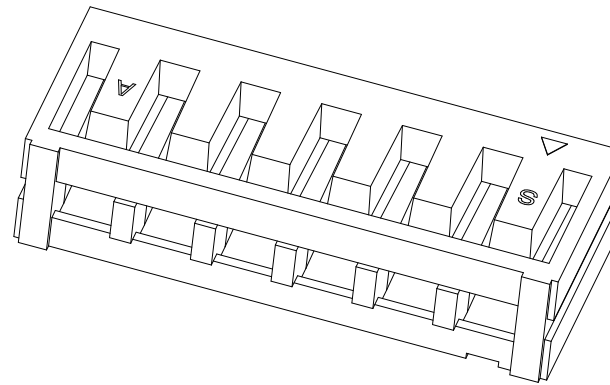
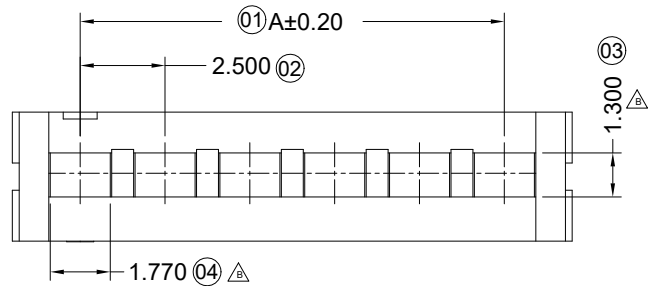
DATE	REV	ECN NO.	DESCRIPTION	MODIFY	APPROVAL	PROJECT				PART NO.													
2020/03/25	D	EN20200325001	Update Drawing Frame, The Same ECR And ECN NO	Zeng	Robing	GENERAL TOLERANCE				PART NO. 9025HR-XX-N0													
2020/01/08	C	EN20200108001	Add the LOGO and mold hole number according to the real object	Mandy	Robing	.X	±0.30	APPROVAL							CHECK		DRAWN		DATE				
2019/07/12	B	ER20190712001	Optimization of products	Zeng	Robing	.XX	±0.20			Robing		Joshua		Jason							2018/08/16		
						.XXX	±0.10																UNIT
						X.°	±2°	mm		1:1		1/1		D									
																NUMBER		A-022					

SMS 东莞市思索技术股份有限公司
Dongguan SESO Technology Co.,Ltd.

UNIT	SCALE	SHEET	REV	NUMBER
mm	1:1	1/1	D	A-022

RoHS

This products can apply to the SESO Doc NO. QA-3-04-005 of Environmental&Material Management Rules

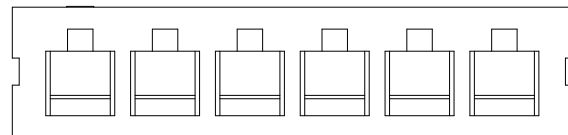
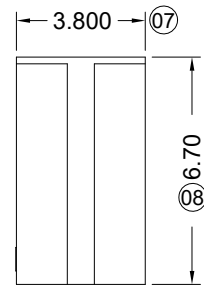
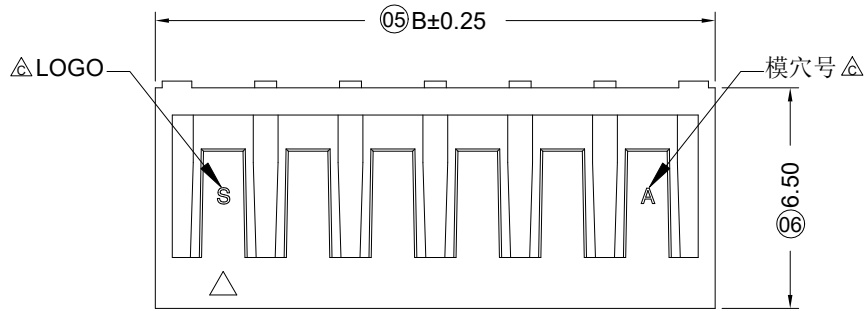


- Specifications :
- Voltage rating: 250V AC / DC
 - Current rating: 3A AC / DC
 - Withstanding voltage: 800V AC/minute
 - Temperature range: -40°C~+105°C
 - Insulation resistance:≥1000MΩ
 - Suitable SESO Terminal:9025TV

9025 H V-XX X-N0 XX

① ② ③ ④ ⑤ ⑥ ⑦

- ① Series No.
- ② Category: H-HSG
- ③ Connector type: V-180°
- ④ Row No.-Pin No per row: XX-02P~16P
- ⑤ Special No.:
- ⑥ Material: N0-PA66 UL 94V-0
- ⑦ Color: Blank-Natural Color

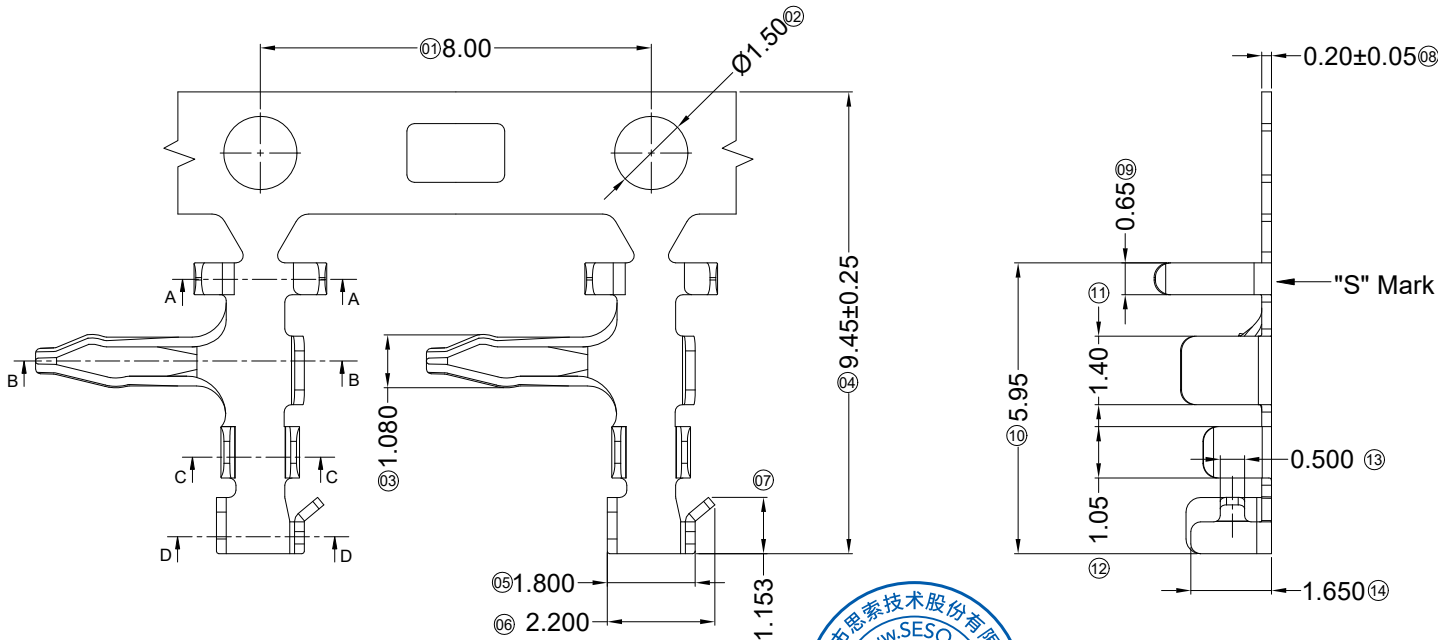


Poles	Dimensions (mm)		Poles	Dimensions(mm)	
	A	B		A	B
02	2.50	6.50	10	22.50	26.50
03	5.00	9.00	11	25.00	29.00
04	7.50	11.50	12	27.50	31.50
05	10.00	14.00	13	30.00	34.00
06	12.50	16.50	14	32.50	36.50
07	15.00	19.00	15	35.00	39.00
08	17.50	21.50	16	37.50	41.50
09	20.00	24.00			

2023/08/17	D1	/	Update Drawing Frame	Zhou	Larry	SMS 东莞市思索技术股份有限公司 Dongguan SESO Technology Co.,Ltd.	PART NO.							
2020/03/25	D	EN20200325001	Update Drawing Frame, The Same ECR And ECN NO	Zeng	Robing		9025HV-XX-N0							
2020/01/08	C	EN20200108001	Add the LOGO and mold hole number according to the real object	Mandy	Robing		TITLE							
							2.50mm Crimp Style Connectors							
DATE	REV	ECN NO.	DESCRIPTION	MODIFY	APPROVAL	APPROVAL	CHECK	DRAWN	DATE	UNIT	SCALE	SHEET	REV	NUMBER
						Robing	Joshua	Yu wei	2018/08/16	mm	1:1	1/1	D1	CD

RoHS

This products can apply to the SWB Doc NO. QA-3-04-005 of Environmental&Material Management Rules

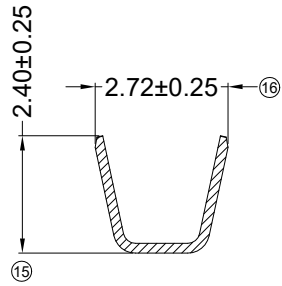


- Specifications :
- Voltage rating: 250V AC / DC
 - Current rating: 3A AC / DC
 - Withstanding voltage: 800V AC/minute
 - Temperature range: -40°C~+105°C
 - Insulation resistance:≥1000MΩ
 - Wire Size:AWG#22~24(0.35~0.22mm²)
 - Insulation O.D.:1.60mm (Max)
 - Used In SWB Housing:9025HR

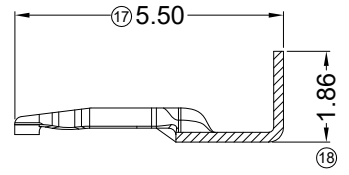
9025 T R-X SN X - X

① ② ③ ④ ⑤ ⑥ ⑦

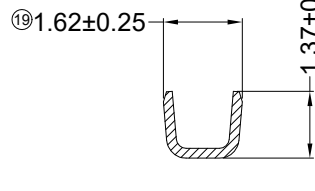
- ① Series Number
- ② Category: T-terminal
- ③ Connector type: R-90°
- ④ Material: B-Brass ; P-Phosphor bronze
- ⑤ Plating code: SN-Bright tin plating
- ⑥ Plating method: Blank-Stamping before plating
- ⑦ Mold No./Mark/Special No. :



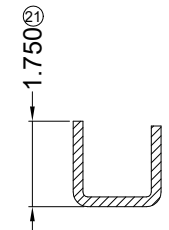
SECTION A-A
SCALE 1:1



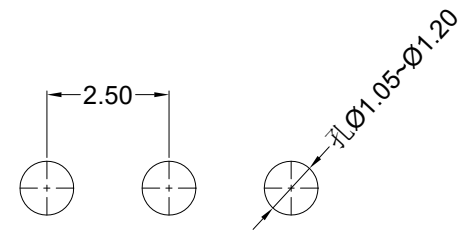
SECTION B-B
SCALE 1:1



SECTION C-C
SCALE 1:1



SECTION D-D
SCALE 1:1



Recommended P.C.B Layout
General Tolerance±0.05 T=1.60mm

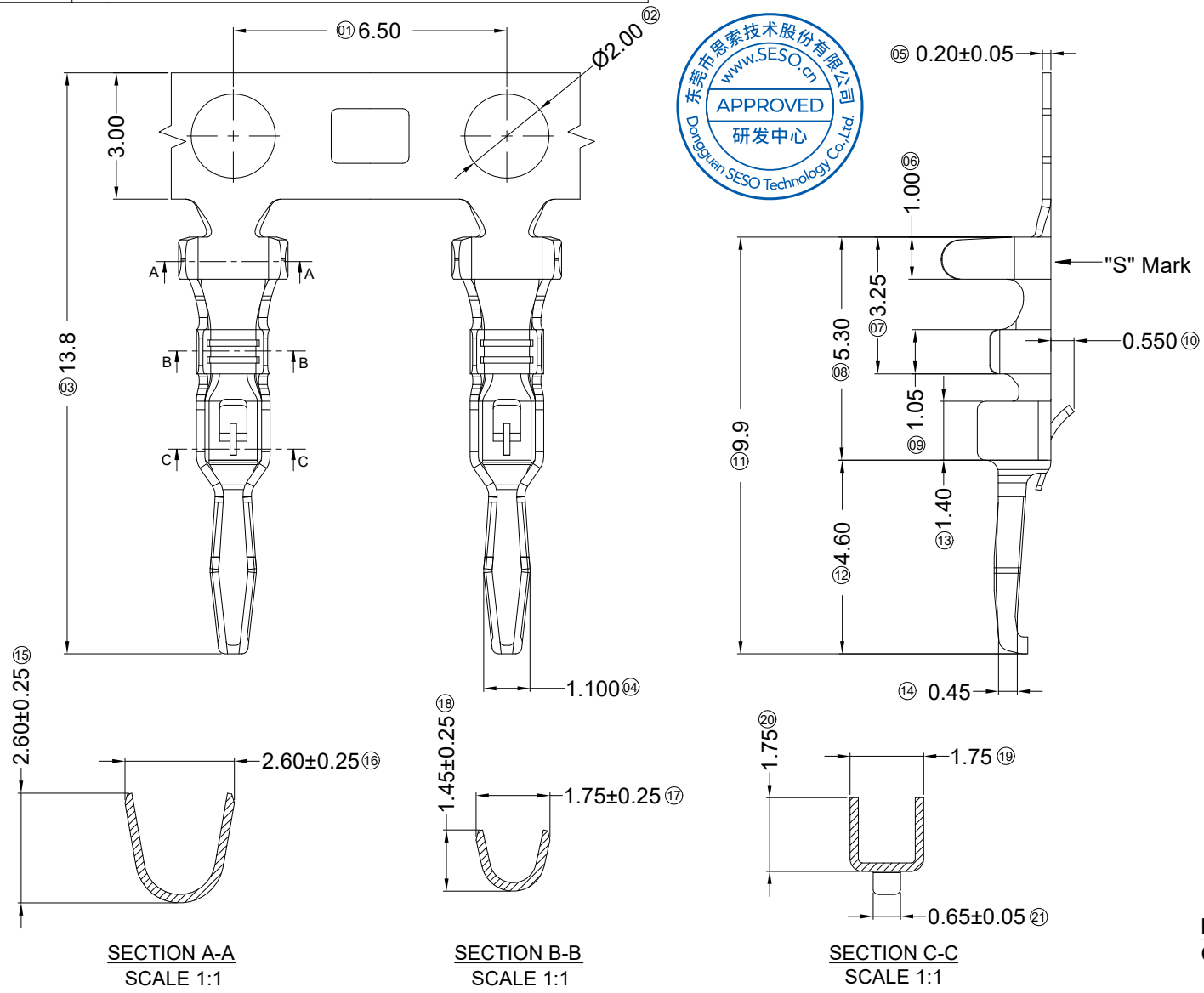
					GENERAL TOLERANCE				PART NO.				
					.X ±0.30				9025TR-XSN				
					.XX ±0.20				TITLE				
					.XXX ±0.10				2.50mm Crimp Style Connectors				
					X° ±2°				UNIT SCALE SHEET REV NUMBER				
					PROJECT				mm 1:1 1/1 C A-014				
					APPROVAL CHECK DRAWN DATE								
					Roving Joshua Jason 2018/08/16								
					APPROVAL CHECK DRAWN DATE								
					Roving Joshua Jason 2018/08/16								

SMS 东莞市思索技术股份有限公司
Dongguan SESO Technology Co.,Ltd.

2020/03/25	C	EN20200325001	Update Drawing Frame, The Same ECR And ECN NO	ZW	ROBING
2019/07/12	B	ER20190712001	Optimization of products	ZW	ROBING
DATE	REV	ECN NO	DESCRIPTION	MODIFY	APPROVAL

RoHS

This products can apply to the SESO Doc NO. QA-3-04-005 of Environmental&Material Management Rules



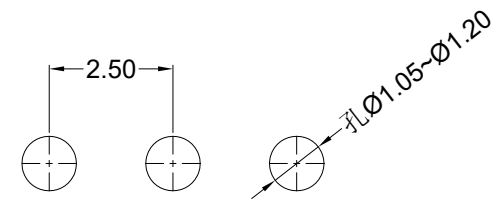
Specifications :

- Voltage rating: 250V AC / DC
- Current rating: 3A AC / DC
- Withstanding voltage: 800V AC/minute
- Temperature range: -40°C~+105°C
- Insulation resistance: ≥1000MΩ

- Wire Size: AWG#22~24(0.35~0.22mm²)
- Insulation O.D.: 1.60mm (Max)
- Used In SESO Housing: 9025HV

9025 T V-X SN X - X
① ② ③ ④ ⑤ ⑥ ⑦

- ① Series Number
- ② Category: T-terminal
- ③ Shape: V-Straight 180°
- ④ Material: B-Brass ; P-Phosphor bronze
- ⑤ Plating style: SN-Bright tin plating
- ⑥ Plating method: Blank-Stamping before plating
- ⑦ Mold No./Mark/Special No. :



Recommended P.C.B Layout
General Tolerance ±0.05 T=1.60mm

2023/08/17	C1	/	Update Drawing Frame	Zhou	Larry	GENERAL TOLERANCE .X ±0.30 .XX ±0.20 .XXX ±0.10 X° ±2° PROJECT 	APPROVAL CHECK DRAWN DATE Robing Joshua Jason 2018/08/16				PART NO. 9025TV-XSN				
2020/03/25	C	EN20200325001	Update Drawing Frame, The Same ECR And ECN NO	ZW	ROBING						TITLE 2.50mm Crimp Style Connectors				
2019/07/12	B	ER20190712001	Optimization of products	ZW	ROBING		UNIT SCALE SHEET REV NUMBER mm 1:1 1/1 C1 A-000								
DATE	REV	ECN NO.	DESCRIPTION	MODIFY	APPROVAL										

SMS 东莞市思索技术股份有限公司
Dongguan SESO Technology Co.,Ltd.