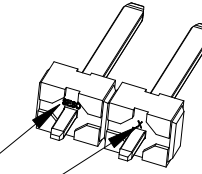
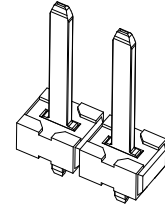
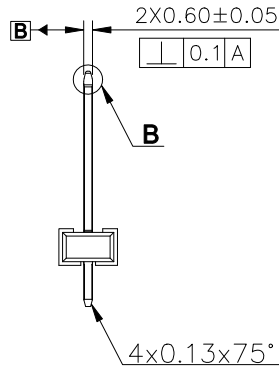
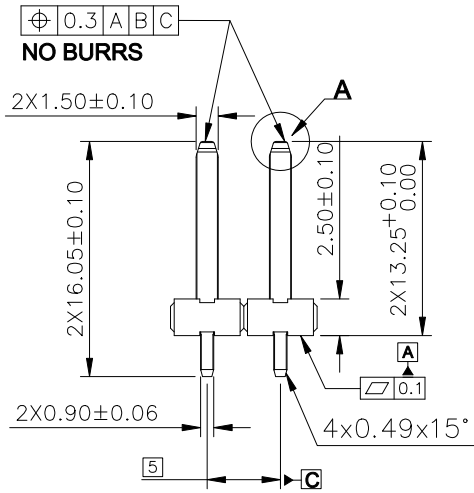


RoHS

This products can apply to the SESO Doc NO. QA-3-04-005 of Environmental&Material Management Rules



LOGO

模穴号

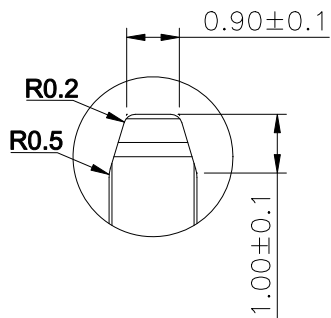
NOTE :

- CURRENT RATING:2A AC/DC
- TEMPERATURE:-40°C~125°C
- MATERIALS:
- PINS MATERIAL: Brass C2600 R-H , tensile strength >350MPa and IACS>24%;
- PINS HOLDER MATERIAL: PA9T, extraction effort > 15N;
- PLATING :1-3um Sn OVER 1-2um NICKEL BASE
- PACKAGING: REEL

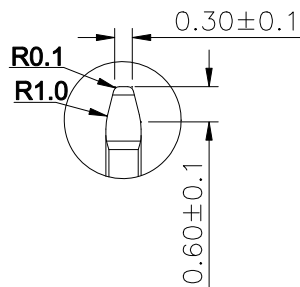
5009 W V - 02 - 9T SN B R - 01 Q
 ① ② ③ ④ ⑤ ⑥ ⑦ ⑧ ⑨ ⑩

- ① Series : 5009
- ② Connector Type: W-Wafer
- ③ Appearance Type: V-Straight 180°
- ④ PIN number: 02-2 PIN
- ⑤ Materials: 9T-PA9T
- ⑥ Plating : SN-NI+Tin (Bright Tin)
- ⑦ Color : B-Black
- ⑧ Packaging : R-Reel
- ⑨ 01 : 16.05
- ⑩ Special : Q-Automotive Connectors

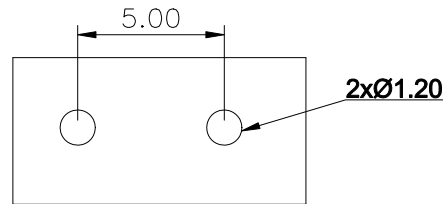
Detail A
Scale: 4:1



Detail B
Scale: 4:1



Front view
Scale: 2:1



RECOMMENDED PCB LAYOUT
GENERAL TOLERANCE 0.05

					GENERAL TOLERANCE				PART NO.				
					.X ±0.35				5009WV-02-9TSNBR-01Q				
					.XX ±0.25				TITLE				
					.XXX±0.15				2P Header connector				
					X.' ±Z'				APPROVAL				
20230915	A0	/	Initial release	Mo	Larry Yang	APPROVAL		CHECK		DRAWN		DATE	
DATE	REV	ECN NO.	DESCRIPTION	MODIFY	APPROVAL	PROJECT		Xue		Mo		2023/09/15	
					PROJECT				UNIT				
					LARRY YANG				SCALE				
					LARRY YANG				1:1				
					LARRY YANG				SHEET				
					LARRY YANG				1/1				
					LARRY YANG				REV				
					LARRY YANG				A0				
					LARRY YANG				NUMBER				
					LARRY YANG				CD				