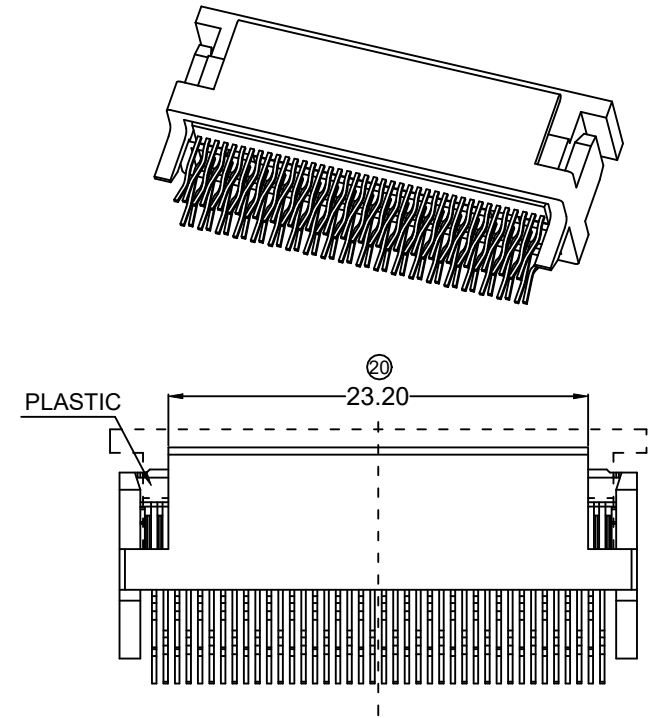
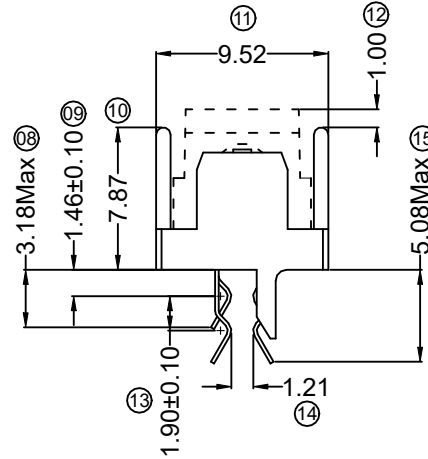
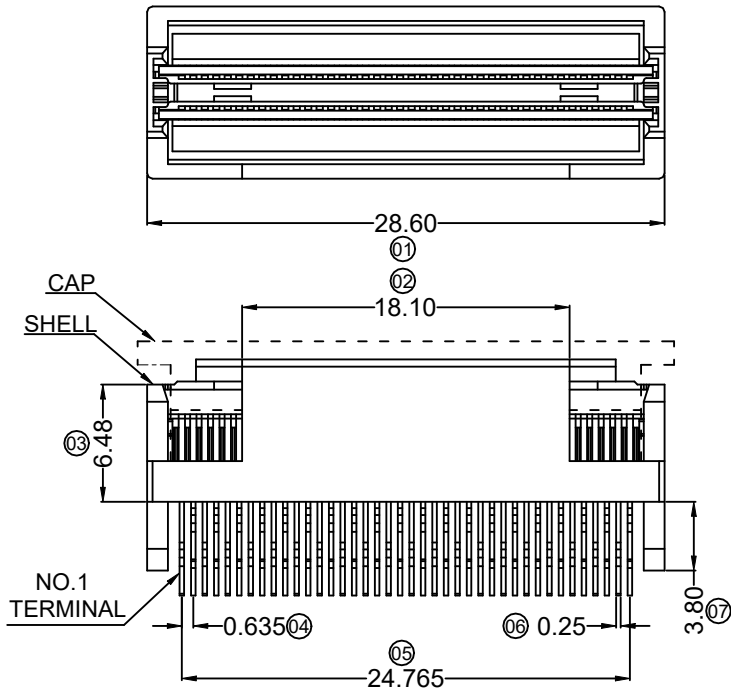


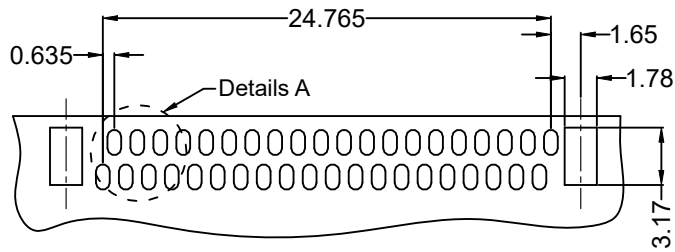
RoHS

This products can apply to the SESO Doc NO. QA-3-04-005 of Environmental&Material Management Rules

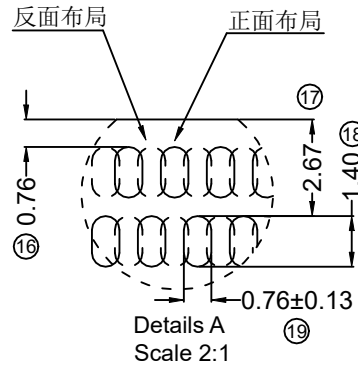


0635 W M - 2\*40 - XX G30 BK  
① ② ③ ④ ⑤ ⑥ ⑦

- ① Series No.
- ② Category: W-WAFER
- ③ Welding Board Angle: M- Plug
- ④ Row No.-Pin No.: 2\*XX-2\*40P
- ⑤ Material: 9T-PA9T LP-LCP PT-PBT0
- ⑥ Plating Category: G30-Gold Plating 30U"
- ⑦ Color : Blank-Natural Color



Mounting Flange Side Of Board  
Recommended Termination Requirements



LCP UL 94V-0	Phos Bronze	Matte Tin	Molding
Material	Material (Pin&Solder tab)	Finish(Pin)	Mates With SESO Housing

					GENERAL TOLERANCE .X ±0.30 .XX ±0.20 .XXX ±0.10 X.° ±2°				<b>SMS</b> 东莞市思索技术股份有限公司 Dongguan SESO Technology Co.,Ltd.				PART NO. 0635WM -2*40 -XXG30BK																
					PROJECT 				APPROVAL Jack Zhang				CHECK Larry Yang				DRAWN Guo				DATE 2016/01/18				TITLE MICROPAX 0.635MM PLUG				
2020.8.18	B	EN20200318002	Update Drawing Frame	YYting	Robing																								
DATE	REV	ECN NO.	DESCRIPTION	MODIFY	APPROVAL																								
1	2	3	4	5	6	7	8	9	10	11	12	13	14	15	16	17	18	19	20	21	22	23	24						