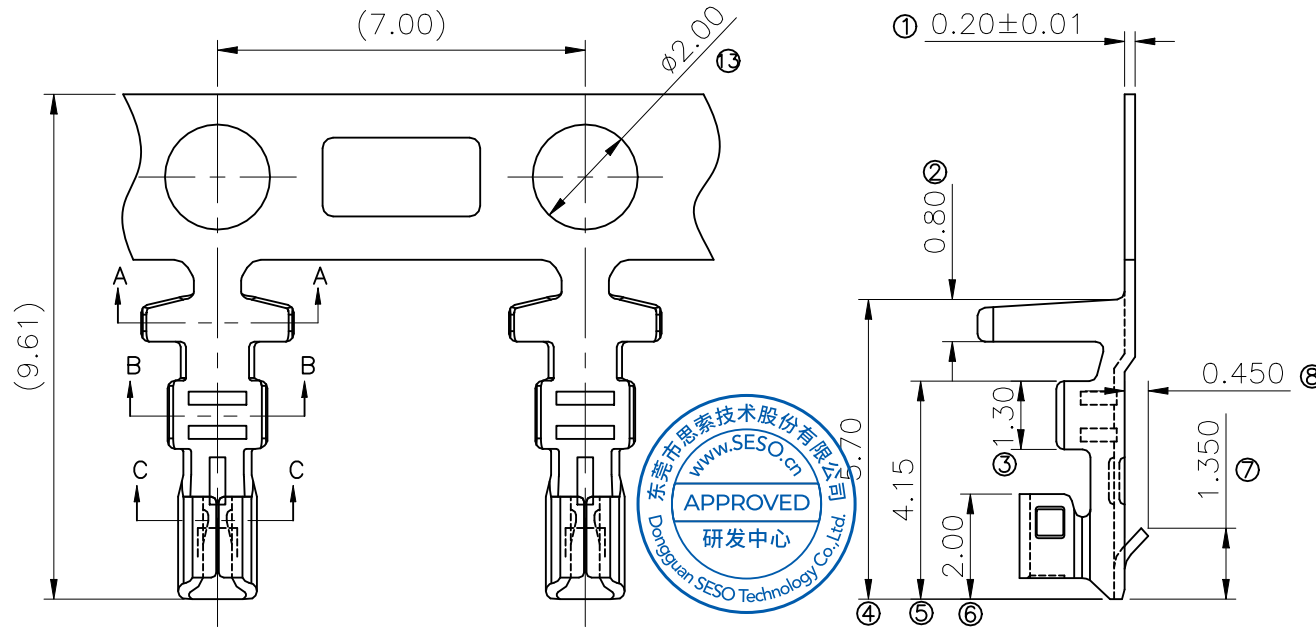


RoHS

This products can apply to the SESO Doc NO. QA-3-04-005 of Environmental&Material Management Rules



Specifications :

- Voltage rating: 250V Max. AC / DC
- Current rating: 3A Max.AC / DC
- Withstanding voltage: 800V AC/minute
- Temperature range: -40°C~+105°C
- Insulation resistance: ≥1000MΩ
- Contact resistance: <10mΩ
- After environmental testing: <20mΩ
- Symbols for SPC dimensions: "★"

2581 T - P SN1 - S
① ② ③ ④ ⑤

① Series No.:

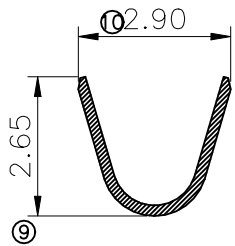
② Category: T-terminal

③ Material: P-Phosphor Bronze

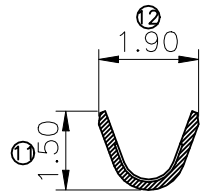
④ Plating code:

SN1-Underplate Ni 40~120u"(1~3um) ;
Top plating Sn 80~200u"(2~5um)

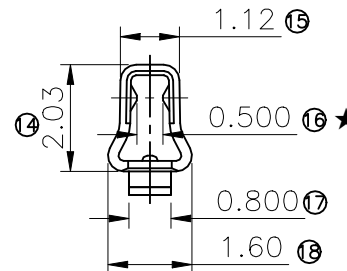
⑤ Special No.: S



SECTION A-A
SCALE:1:1



SECTION B-B
SCALE:1:1



SECTION C-C
SCALE:1:1

Table 1:

2581T-PSN1-S	AWG#22~24 (0.35~0.13mm ²)	1.30mm max	2581H
P/N	Wire Range	Insulation O.D.	Suitable SESO Housing

20220614	A0	/	Initial release	/	Larry Yang
DATE	REV	ECN NO.	DESCRIPTION	MODIFY	APPROVAL

GENERAL TOLERANCE

- .X ±0.35
- .XX ±0.25
- .XXX±0.15
- X.' ±2'

PROJECT



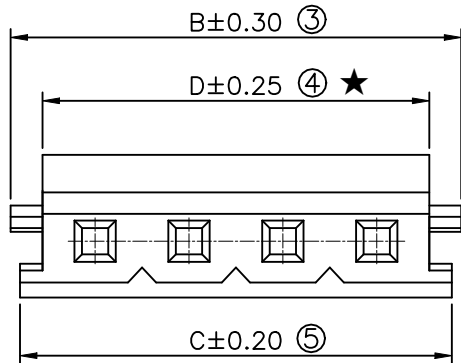
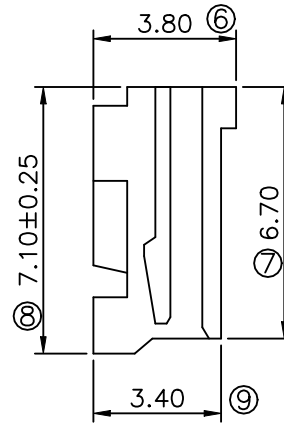
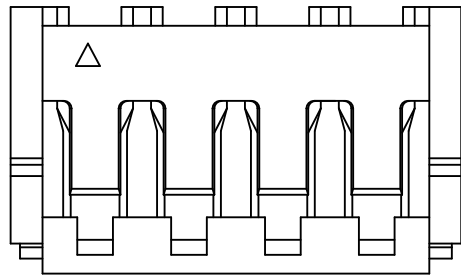
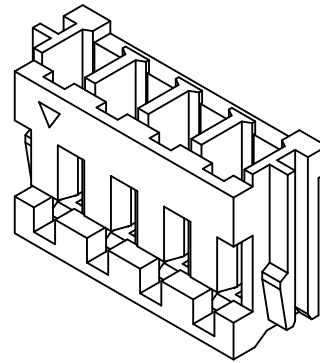
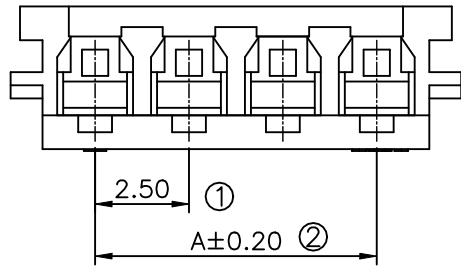
SMS 东莞市思索技术股份有限公司
Dongguan SESO Technology Co.,Ltd.

APPROVAL	CHECK	DRAWN	DATE
Jason Huang	Larry Yang	ZEE.WANG	2022/06/14

PART NO. 2581T-PSN1-S				
TITLE: 2.50 mm Crimp Style Connectors				
UNIT	SCALE	SHEET	REV	NUMBER
mm	1:1	1/1	A0	CD

RoHS

This products can apply to the SESO Doc NO. QA-3-04-005 of Environmental&Material Management Rules



Specifications :

- Voltage rating: 250V Max. AC / DC
- Current rating: 3A Max.AC / DC
- Withstanding voltage: 800V AC/minute
- Temperature range: -40°C~+105°C
- Insulation resistance: ≥1000MΩ
- Contact resistance: ≤10mΩ
- After environmental testing: ≤20mΩ
- Symbols for SPC dimensions: "★"

2581 H-XX HF - N0 NC
 ① ② ③ ④ ⑤ ⑥

- ① Series No.:
- ② Category: H-HSG
- ③ Row No.-Pin No: XX-Single Row 02~15Pin
- ④ Special No.: HF
- ⑤ Material: N0-PA66 UL94V-0
- ⑥ Color: NC-Natural

Poles	Dimensions(mm)			
	A	B	C	D
2P	2.50	7.00	6.50	5.40
3P	5.00	9.50	9.00	7.90
4P	7.50	12.00	11.50	10.40
5P	10.00	14.50	14.00	12.90
6P	12.50	17.00	16.50	15.40
7P	15.00	19.50	19.00	17.90
8P	17.50	22.00	21.50	20.40
9P	20.00	24.50	24.00	22.90
10P	22.50	27.00	26.50	25.40
11P	25.00	29.50	29.00	27.90
12P	27.50	32.00	31.50	30.40
13P	30.00	34.50	34.00	32.90
14P	32.50	37.00	36.50	35.40
15P	35.00	39.50	39.00	37.90

20220614	A0	/	Initial release	/	Larry Yang
DATE	REV	ECN NO.	DESCRIPTION	MODIFY	APPROVAL

GENERAL TOLERANCE
 .X ±0.35
 .XX ±0.25
 .XXX±0.15
 X.' ±2'

SMS 东莞市思索技术股份有限公司
 Dongguan SESO Technology Co.,Ltd.

PROJECT: Jason Huang

PART NO. 2581H-XXHF-NONC				
TITLE: 2.50 mm Crimp Style Connectors				
UNIT	SCALE	SHEET	REV	NUMBER
mm	1:1	1/1	A0	CD

A

A

RoHS

This products can apply to the SESO Doc NO. QA-3-04-005 of Environmental&Material Management Rules



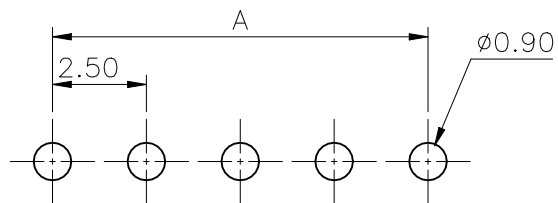
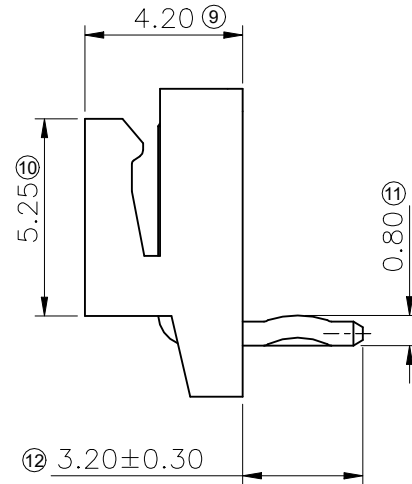
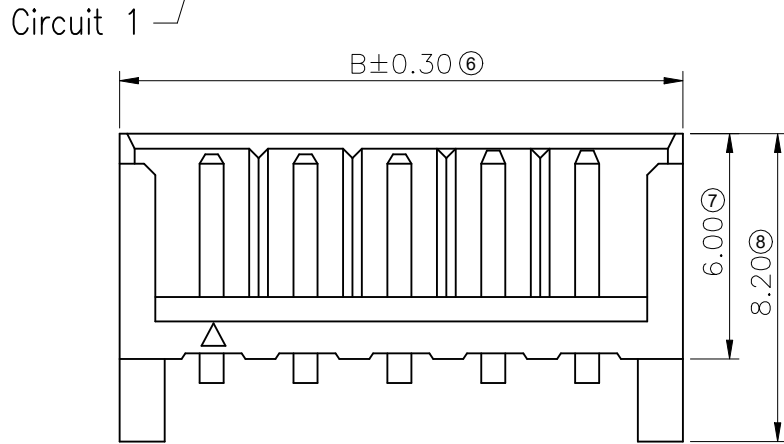
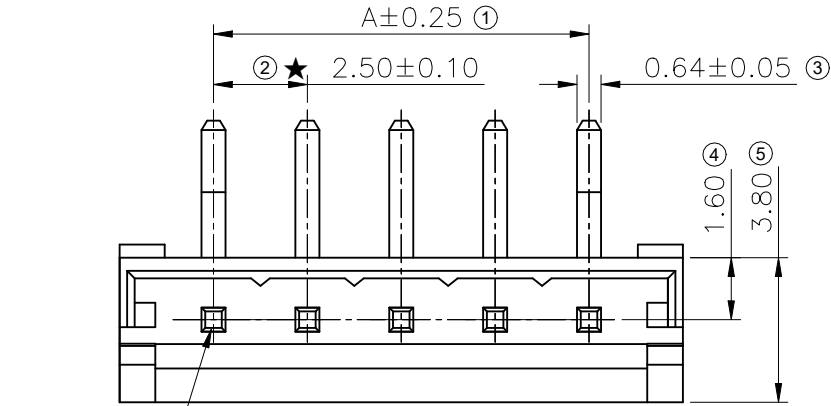
■ Specifications :

- Voltage rating: 250V Max. AC / DC
- Current rating: 3A Max.AC / DC
- Withstanding voltage: 800V AC/minute
- Temperature range: -40°C~+105°C
- Insulation resistance: ≥1000MΩ
- Contact resistance: ≤10mΩ
- After environmental testing: ≤20mΩ
- Material(Pin): Brass
- Mates With SESO Housing: 2581H
- Symbols for SPC dimensions: " ★ "

2581 W R - XX HF -N0 SN1 N
 ① ② ③ ④ ⑤ ⑥ ⑦ ⑧

- ① Series No.:
- ② Category: W-wafer
- ③ Connector Type: R-Right Angle 90°
- ④ Row No.-Pin No: XX-Single Row 02~15Pin
- ⑤ specific code: HF
- ⑥ Plastic material: N0-PA66 UL94V-0
- ⑦ Plating Code: SN1-Bright Tin
 Underplate: Ni 40~120u"(1~3um) overall
 Top Plating: Sn 80~200u"(2~5um) overall
- ⑧ Color: N-Natural

Poles	Dimensions		Poles	Dimensions	
	A	B		A	B
02	2.50	7.50	09	20.00	25.00
03	5.00	10.00	10	22.50	27.50
04	7.50	12.50	11	25.00	30.00
05	10.00	15.00	12	27.50	32.50
06	12.50	17.50	13	30.00	35.00
07	15.00	20.00	14	32.50	37.50
08	17.50	22.50	15	35.00	40.00



Recommended P.C.B Layout
 General Tolerance±0.05

20220610	A0	/	Initial release	/	Larry Yang
DATE	REV	ECN NO.	DESCRIPTION	MODIFY	APPROVAL

GENERAL TOLERANCE	
.X	±0.35
.XX	±0.25
.XXX	±0.15
X.*	±2°
PROJECT	

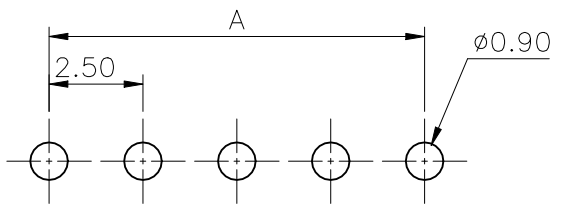
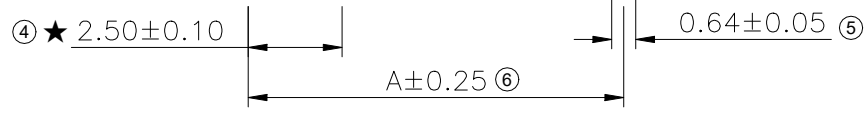
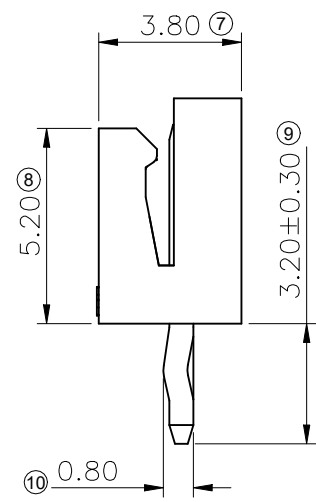
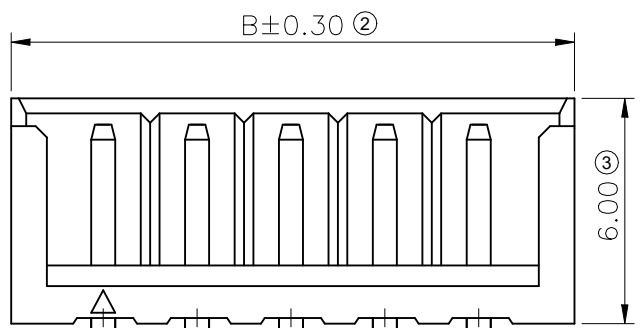
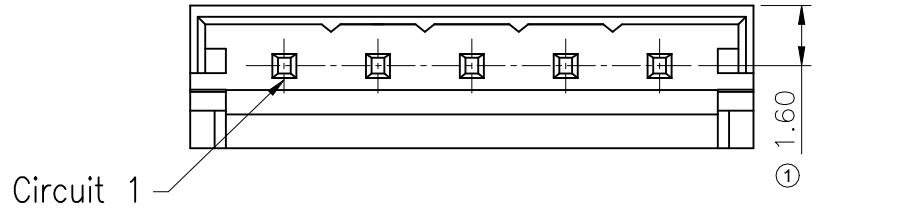
SMS 东莞市思索技术股份有限公司
 Dongguan SESO Technology Co.,Ltd.

APPROVAL	CHECK	DRAWN	DATE
Jason Huang	Larry Yang	ZEE.WANG	2022/06/10

PART NO. 2581WR-XXHF-NOSN1N				
TITLE: 2.50 mm Crimp Style Connectors				
UNIT	SCALE	SHEET	REV	NUMBER
mm	1:1	1/1	A0	CD

RoHS

This products can apply to the SESO Doc NO. QA-3-04-005 of Environmental&Material Management Rules



Recommended P.C.B Layout
General Tolerance±0.05

- Specifications :
- Voltage rating: 250V Max. AC / DC
 - Current rating: 3A Max.AC / DC
 - Withstanding voltage: 800V AC/minute
 - Temperature range: -40°C~+105°C
 - Insulation resistance: ≥1000MΩ
 - Contact resistance: ≤10mΩ
 - After environmental testing: ≤20mΩ
 - Material(Pin): Brass
 - Mates With SESO Housing: 2581H
 - Symbols for SPC dimensions: " ★ "

2581 W V - XX HF -N0 SN1 N
① ② ③ ④ ⑤ ⑥ ⑦ ⑧

- ① Series No.:
- ② Category: W-wafer
- ③ Connector Type: V-Straight 180°
- ④ Row No.-Pin No: XX-Single Row 02~15Pin
- ⑤ specific code: HF
- ⑥ Plastic material: N0-PA66 UL94V-0
- ⑦ Plating Code: SN1-Bright Tin
- Underplate: Ni 40~120u"(1~3um) overall
- Top Plating: Sn 80~200u"(2~5um) overall
- ⑧ Color: N-Natural

Poles	Dimensions		Poles	Dimensions	
	A	B		A	B
02	2.50	7.50	09	20.00	25.00
03	5.00	10.00	10	22.50	27.50
04	7.50	12.50	11	25.00	30.00
05	10.00	15.00	12	27.50	32.50
06	12.50	17.50	13	30.00	35.00
07	15.00	20.00	14	32.50	37.50
08	17.50	22.50	15	35.00	40.00

20220610	A0	/	Initial release	/	Larry Yang
DATE	REV	ECN NO.	DESCRIPTION	MODIFY	APPROVAL

GENERAL TOLERANCE
.X ±0.35
.XX ±0.25
.XXX±0.15
X.' ±2'
PROJECT

SMS 东莞市思索技术股份有限公司
Dongguan SESO Technology Co.,Ltd.

APPROVAL: Jason Huang
CHECK: Larry Yang
DRAWN: ZEE.WANG
DATE: 2022/06/10

PART NO. 2581WV-XXHF-NOSN1N				
TITLE: 2.50 mm Crimp Style Connectors				
UNIT	SCALE	SHEET	REV	NUMBER
mm	1:1	1/1	A0	CD