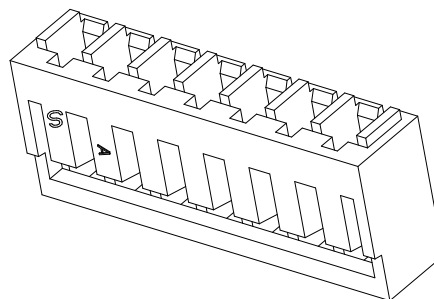
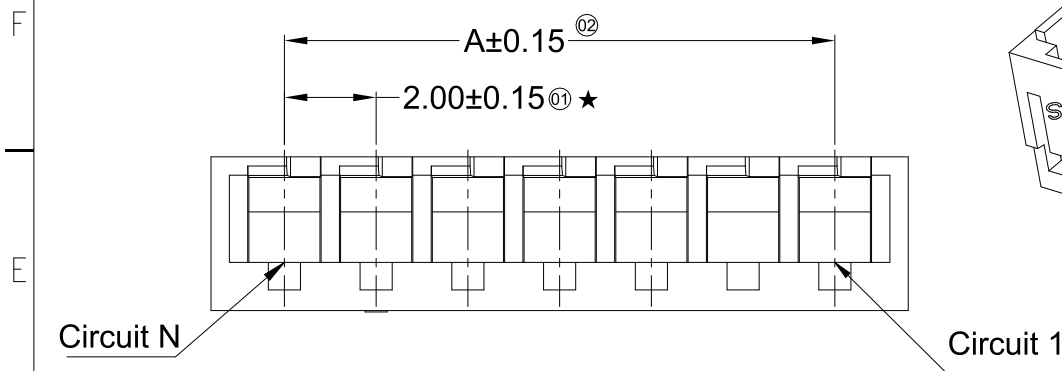
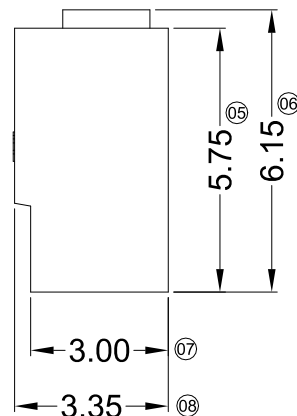
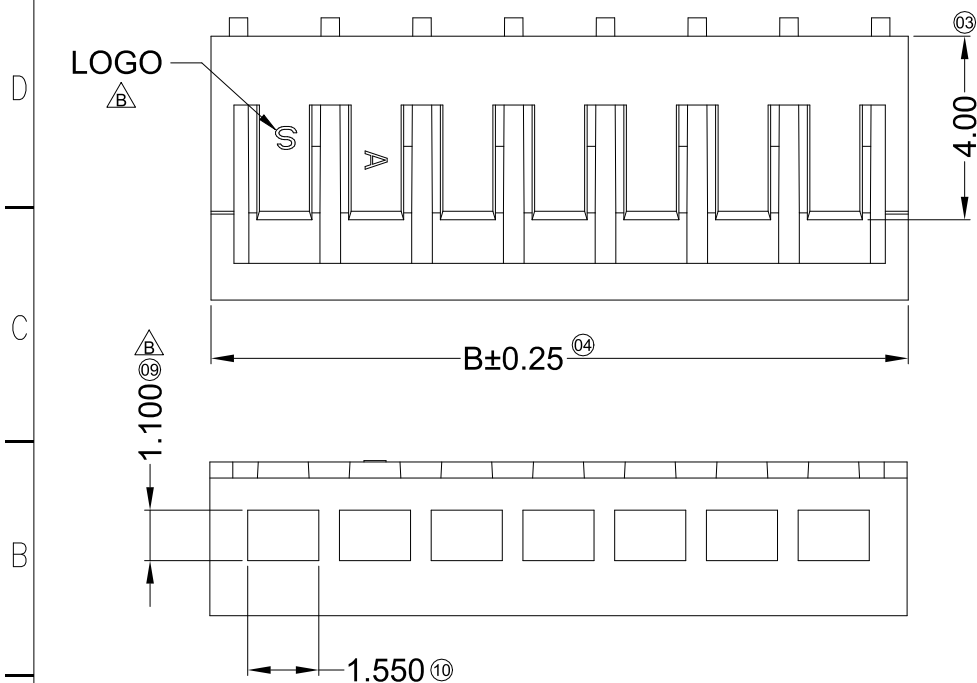


RoHS

This products can apply to the SESO Doc NO. QA-3-04-005 of Environmental&Material Management Rules



- Specifications :
- Voltage rating: 250V AC / DC
  - Current rating: 2A AC / DC
  - Withstanding voltage: 800V AC/minute
  - Temperature range: -40°C~+125°C  $\Delta$
  - Insulation resistance: >1000M $\Omega$
  - Suitable SWB Terminal: 9020TR
  - "★" Critical dimension



9020 H R-XX X-NO XX  
 ① ② ③ ④ ⑤ ⑥ ⑦

- ① Series No.
- ② Category: H-HSG
- ③ Appearance type: R-Right Angle 90°
- ④ Row No.-Pin No.: XX-02P~16P
- ⑤ Special No.: Blank-Ordinary
- ⑥ Material: NO-PA66 UL 94V-0
- ⑦ Color: Blank-Natural Color  
HF-Halogen Free

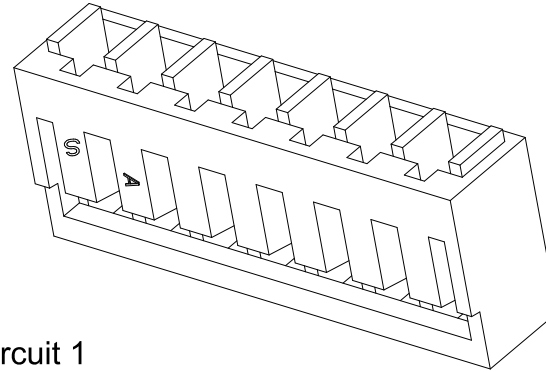
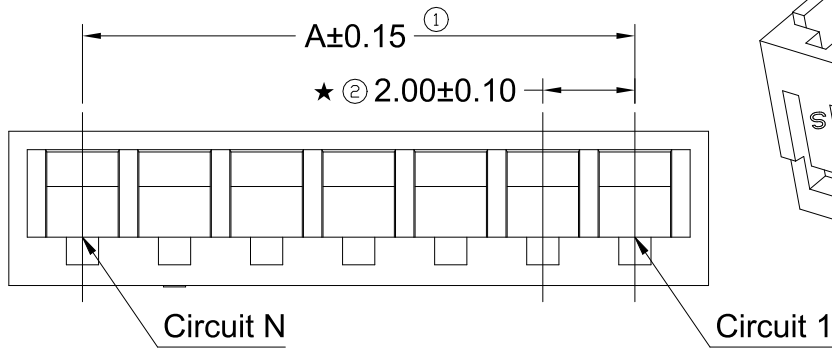


Poles	Dimensions (mm)		Poles	Dimensions (mm)	
	A	B		A	B
02	2.00	5.20	10	18.00	21.20
03	4.00	7.20	11	20.00	23.20
04	6.00	9.20	12	22.00	25.20
05	8.00	11.20	13	24.00	27.20
06	10.00	13.20	14	26.00	29.20
07	12.00	15.20	15	28.00	31.20
08	14.00	17.20	16	30.00	33.20
09	16.00	19.20			

2023.8.16	D		Update usage temperature and drawing boxes	Larry Lin	Jack Zhang	<b>SMS 东莞市思索技术股份有限公司</b> <b>Dongguan SESO Technology Co.,Ltd.</b>				PART NO. 9020HR-XX-N0XX								
2020.7.15	C		Update Drawing Frame	Xue	ROBING					APPROVAL				TITLE 2.00mm Crimp Style Connectors				
2019.6.18	B	ER20190618001	Optimize product, update drawing.	HAILI.WANG	ROBING					CHECK				UNIT				
DATE	REV	ECN NO.	DESCRIPTION	MODIFY	APPROVAL	DRAWN				SCALE								
						DATE				SHEET								
						ROBING				REV								
						Alan qin				NUMBER								
						2018/04/11				D								
										CD								

RoHS

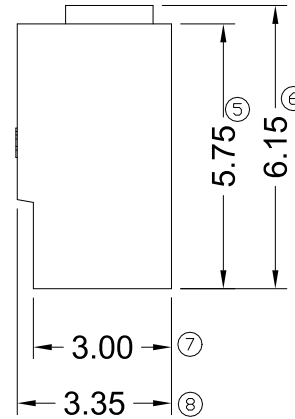
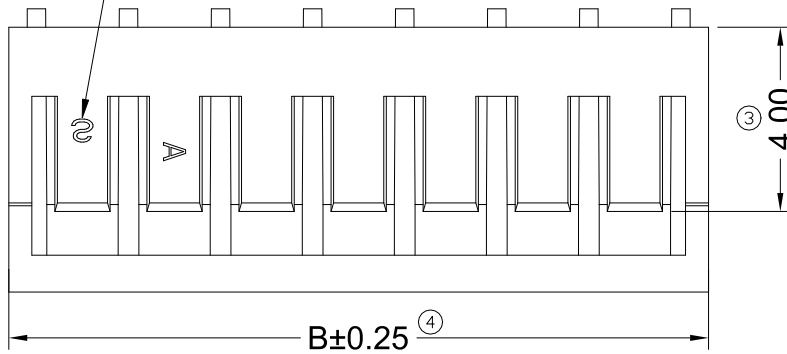
This products can apply to the SESO Doc NO. QA-3-04-005 of Environmental&Material Management Rules



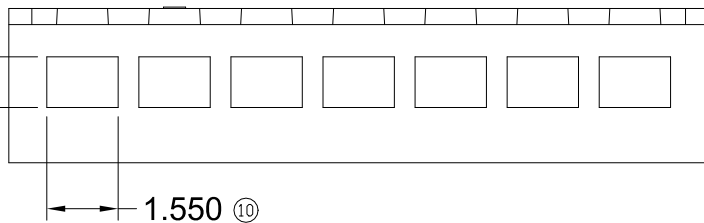
■ Specifications :

- Voltage rating: 250V AC / DC
- Current rating: 2A AC / DC
- Withstanding voltage: 800V AC/minute
- Temperature range: -40°C~+125°C
- Insulation resistance: ≥1000MΩ
- Suitable SWB Terminal: 9020TV
- "★" Critical dimension

LOGO



1.100



9020 H V-XX X-N0 XX  
① ② ③ ④ ⑤ ⑥ ⑦

- ① Series No.
- ② Category: H-HSG
- ③ Appearance type: V-Straight 180°
- ④ Row No.-Pin No.: XX-02P~16P
- ⑤ Special No.: Blank-Ordinary
- ⑥ Material: N0-PA66 UL 94V-0
- ⑦ Color: Blank-Natural Color  
HF-Halogen Free

Poles	Dimensions (mm)		Poles	Dimensions (mm)	
	A	B		A	B
02	2.00	5.20	10	18.00	21.20
03	4.00	7.20	11	20.00	23.20
04	6.00	9.20	12	22.00	25.20
05	8.00	11.20	13	24.00	27.20
06	10.00	13.20	14	26.00	29.20
07	12.00	15.20	15	28.00	31.20
08	14.00	17.20	16	30.00	33.20
09	16.00	19.20			



DATE	REV	ECN NO.	DESCRIPTION	MODIFY	APPROVAL
2020.7.15	C		Update Drawing Frame	Xue	ROBING
2019.6.18	B	ER20190618001	Optimize product, update drawing.	HAILI.WANG	ROBING

GENERAL TOLERANCE	
.X	±0.30
.XX	±0.20
.XXX	±0.10
X.*	±2*
PROJECT	

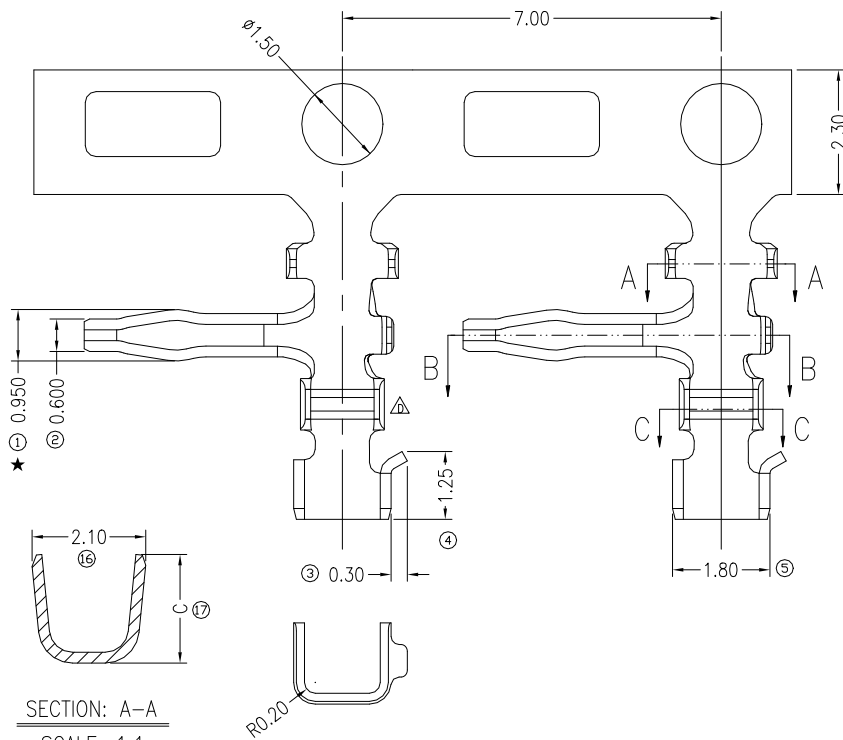
**SMS** 东莞市思索技术股份有限公司  
Dongguan SESO Technology Co.,Ltd.

APPROVAL	CHECK	DRAWN	DATE
ROBING	ROBING	Alan qin	2018/04/11

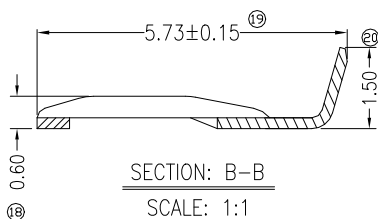
PART NO.				
9020HV-XX-N0XX				
TITLE				
2.00mm Crimp Style Connectors				
UNIT	SCALE	SHEET	REV	NUMBER
mm	1:1	1/1	C	CD

RoHS

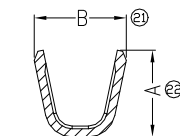
This products can apply to the SESO Doc NO. QA-3-04-005 of Environmental&Material Management Rules



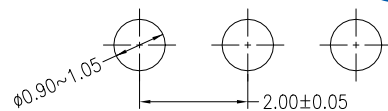
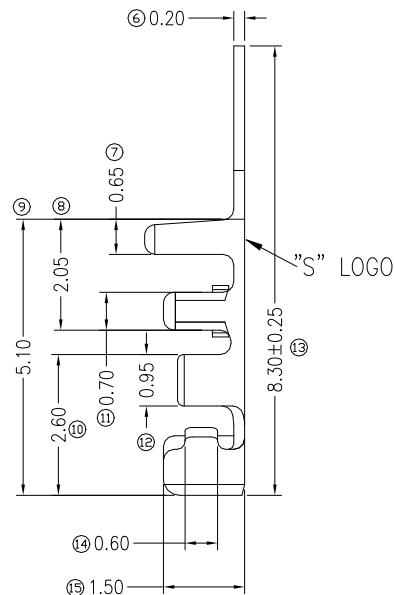
SECTION: A-A  
SCALE: 1:1



SECTION: B-B  
SCALE: 1:1



SECTION: C-C  
SCALE: 1:1



RECOMMENDED P.C.B LAYOUT  
(Thickness=1.60mm)

- Specifications :
- Voltage rating: 250V AC / DC
  - Current rating: 2A AC / DC
  - Withstanding voltage: 800V AC/minute
  - Temperature range: -40°C~+125°C
  - Insulation resistance:  $\geq 1000M\Omega$
  - Used In SESO Housing: 9020HR
  - "★" Critical dimension

9020 I R-X SN X-X  
① ② ③ ④ ⑤ ⑥ ⑦

- ① Series Number
- ② Category: T-terminal
- ③ Connector type: R-Right Angle 90°
- ④ Material: B-Brass; P-Phosphor Bronze
- ⑤ Plating code: SN-Bright tin plating
- ⑥ Plating method: Blank-Stamping before plating
- ⑦ High and low coding:  
Blank-Ordinary; H-High feet

9020TR-XSN-H	AWG#22~24 0.35~0.22mm <sup>2</sup>	1.40mm (Max)	1.60	1.70	2.00
9020TR-XSN	AWG#24~26 0.22~0.13mm <sup>2</sup>	1.30mm (Max)	1.40	1.55	1.85
PART NO	Wire Size	Insulation $\phi$ O.D.	DIM A	DIM B	DIM C

20220920	E1	ER20220920001	Modification of common rivet toe size	Wang cheng	Larry Yang
20210319	E	ER20210319001	Modify the wire diameter	Xue	John Yang
20200805	D	EN20200805001	Add skid bars	sylvia	Robing
DATE	REV	ECN NO.	DESCRIPTION	MODIFY	APPROVAL

GENERAL TOLERANCE
.X $\pm 0.35$
.XX $\pm 0.25$
.XXX $\pm 0.15$
X: $\pm 2^\circ$
PROJECT

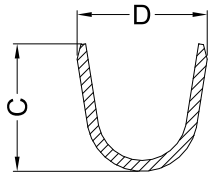
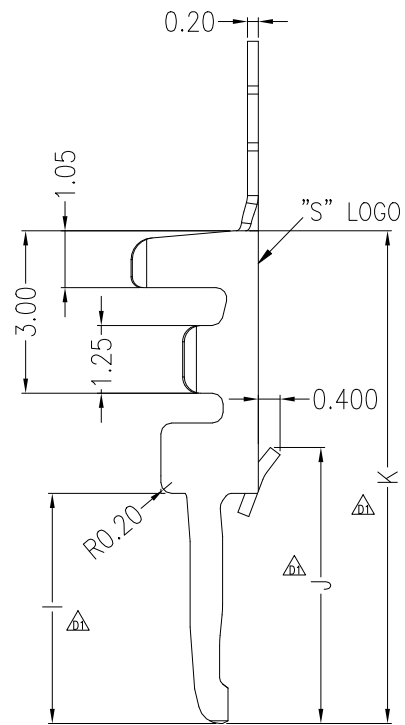
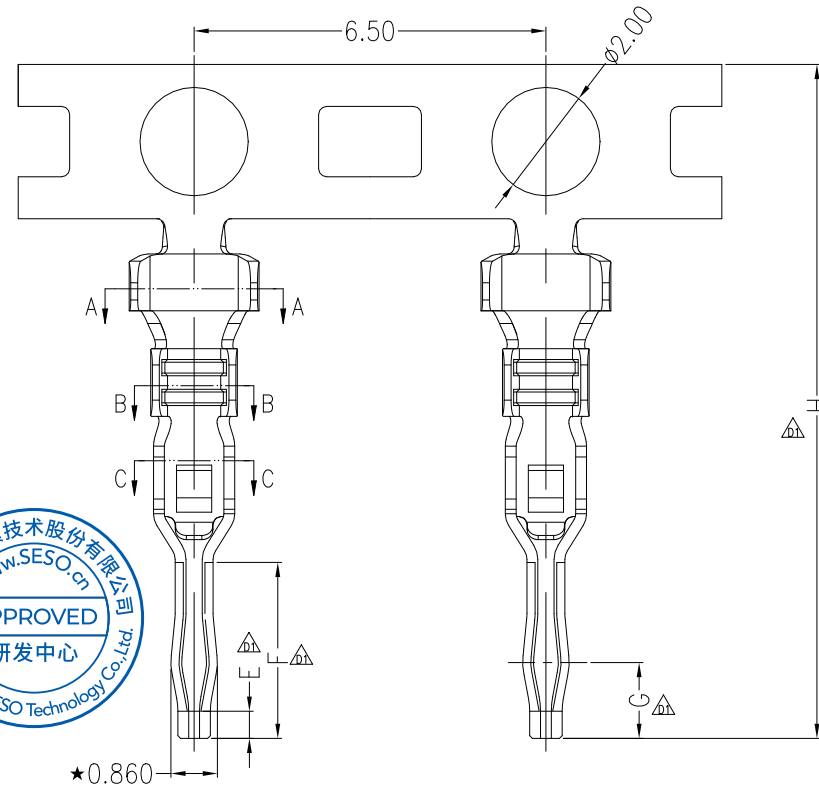
**SMS** 东莞市思索技术股份有限公司  
Dongguan SESO Technology Co.,Ltd.

APPROVAL	CHECK	DRAWN	DATE
ROBING	Joshua	Alan qin	2018/03/19

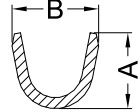
PART NO. 9020TR-XSN-X				
TITLE 2.00mm Crimp Style Connectors				
UNIT	SCALE	SHEET	REV	NUMBER
mm	1:1	1/1	E1	CD

RoHS

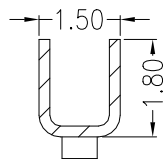
This products can apply to the SESO Doc NO. QA-3-04-005 of Environmental&Material Management Rules



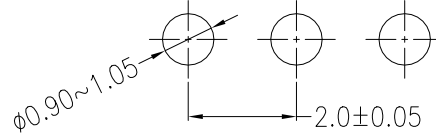
SECTION: A-A  
SCALE: 1:1



SECTION: B-B  
SCALE: 1:1



SECTION: C-C  
SCALE: 1:1



RECOMMENDED P.C.B LAYOUT  
(Thickness=1.60mm)

- Specifications :
- Voltage rating: 250V AC / DC
  - Current rating: 2A AC / DC
  - Withstanding voltage: 800V AC/minute
  - Temperature range: -40°C~+125°C
  - Insulation resistance: >1000MΩ
  - Used In SWB Housing: 9020HV
  - " ★ " Critical dimension

9020 I V-X SN X-X X  
① ② ③ ④ ⑤ ⑥ ⑦ ⑧

- ① Series Number
- ② Category: T-terminal
- ③ Connector type: V-Straight 180°
- ④ Material: B-Brass; P-Phosphor Bronze
- ⑤ Plating code: SN-Bright tin plating
- ⑥ Plating method: Blank-Stamping before plating
- ⑦ High and low coding:  
Blank-Ordinary; H-High feet; L-Lower feet
- ⑧ Mold No./Mark/Special No. :  
Blank-3.40mm; A-2.55mm

		Weld leg length						
number	size	E	F	G	H	I	J	K
A		0.50	2.55	1.40	11.75	3.40	4.25	8.25
Blank		0.65	3.40	1.55	12.60	4.25	5.10	9.10

9020TV-XSN-HX	AWG#22~24 0.35~0.22mm <sup>2</sup>	1.40mm (Max)	1.80	1.75	2.50	2.45
9020TV-XSN-X	AWG#24~26 0.22~0.13mm <sup>2</sup>	1.30mm (Max)	1.40	1.60	2.35	2.40
9020TV-XSN-LX	AWG#26~28 0.13~0.08mm <sup>2</sup>	1.00mm (Max)	1.25	1.25	2.35	2.40
PART NO	Wire Size	Insulation $\phi$ O.D.	A	B	C	D

2022/11/29	D2	ER20221129001	Modified surface	Wangcheng	Larry Yang
2021/11/02	D1	EN20211102002	Added solder foot length	Z C D	Larry Yang
2021/03/02	D	/	Increase High feet	Wang	John Yang
DATE	REV	ECN NO.	DESCRIPTION	MODIFY	APPROVAL

GENERAL TOLERANCE	
.X	$\pm 0.35$
.XX	$\pm 0.25$
.XXX	$\pm 0.15$
X.*	$\pm 2^*$
PROJECT	

**SMS** 东莞市思索技术股份有限公司  
Dongguan SESO Technology Co.,Ltd.

APPROVAL	CHECK	DRAWN	DATE
Robing	Robing	Alan qin	2013/07/26

PART NO.				
9020TV-XSN-XX				
TITLE				
2.00mm Crimp Style Connectors				
UNIT	SCALE	SHEET	REV	NUMBER
mm	1:1	1/1	D2	CD