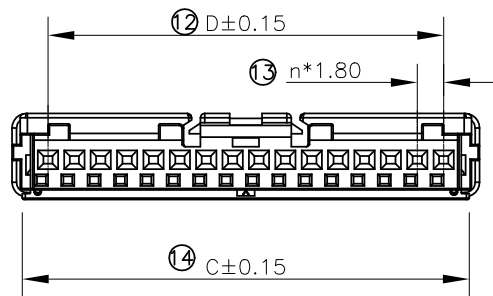
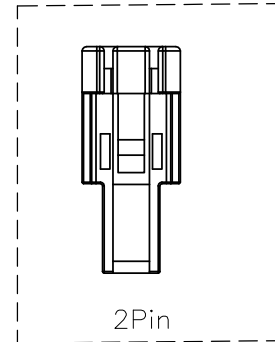
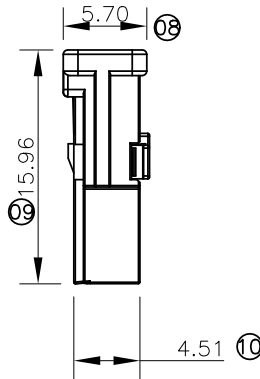
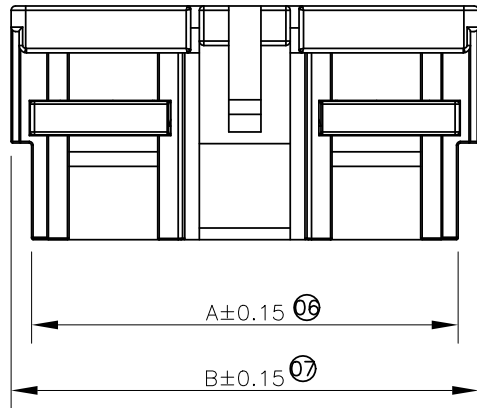
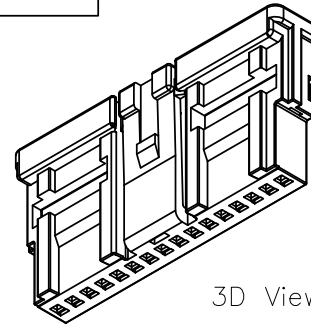
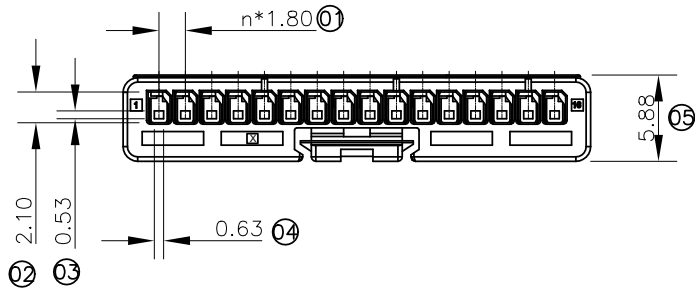


RoHS

This products can apply to the SESO Doc NO. QA-3-04-005 of Environmental&Material Management Rules



Dimensions/mm				
PIN	A	B	C	D
02	3.9	6.7	5.3	1.80
10	18.3	21.1	19.7	16.20
12	21.9	24.7	23.3	19.80
14	25.5	28.3	26.9	23.40
16	29.1	31.9	30.5	27.00

Specifications :

- Voltage rating: 250V AC / DC
- Current rating: 1A AC / DC
- Contact resistance: ≤10mΩ
- After environmental testing: ≤20mΩ
- Insulation resistance: ≥100MΩ
- Withstanding voltage: 650V AC/minute
- Temperature range: -40°C~+125°C

1807 A M-XX-10T BK  
 ① ② ③ ④ ⑤ ⑥

- ① Series No.: 1807
- ② Category: A-Housing Sub-Assembly
- ③ Connector Type: M-Male Housing
- ④ Row No.-Pin No:  
XX -Single Row 02~16 pin
- ⑤ Plastic material: 10T-PA10T UL94V-0
- ⑥ Color: BK-Black

					GENERAL TOLERANCE .X ±0.35 .XX ±0.25 .XXX ±0.15 X.' ±2'				PART NO. 1807AM-XX-10TBK				
					APPROVAL Jason Huang				TITLE 1.8mm Pitch Male Housing				
					CHECK Meng.Yang				UNIT SCALE SHEET REV NUMBER mm 2:1 1/1 A0 A-000				
					DRAWN Dingping.0				DATE 2022/4/28				
DATE	REV	ECN ON.	DESCRIPTION	MODIFY	APPROVAL	PROJECT							

**SMS** 东莞市思索技术股份有限公司  
 Dongguan SESO Technology Co.,Ltd.

RoHS

This products can apply to the SESO Doc NO. QA-3-04-005 of Environmental&Material Management Rules

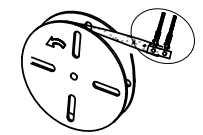


Specifications :

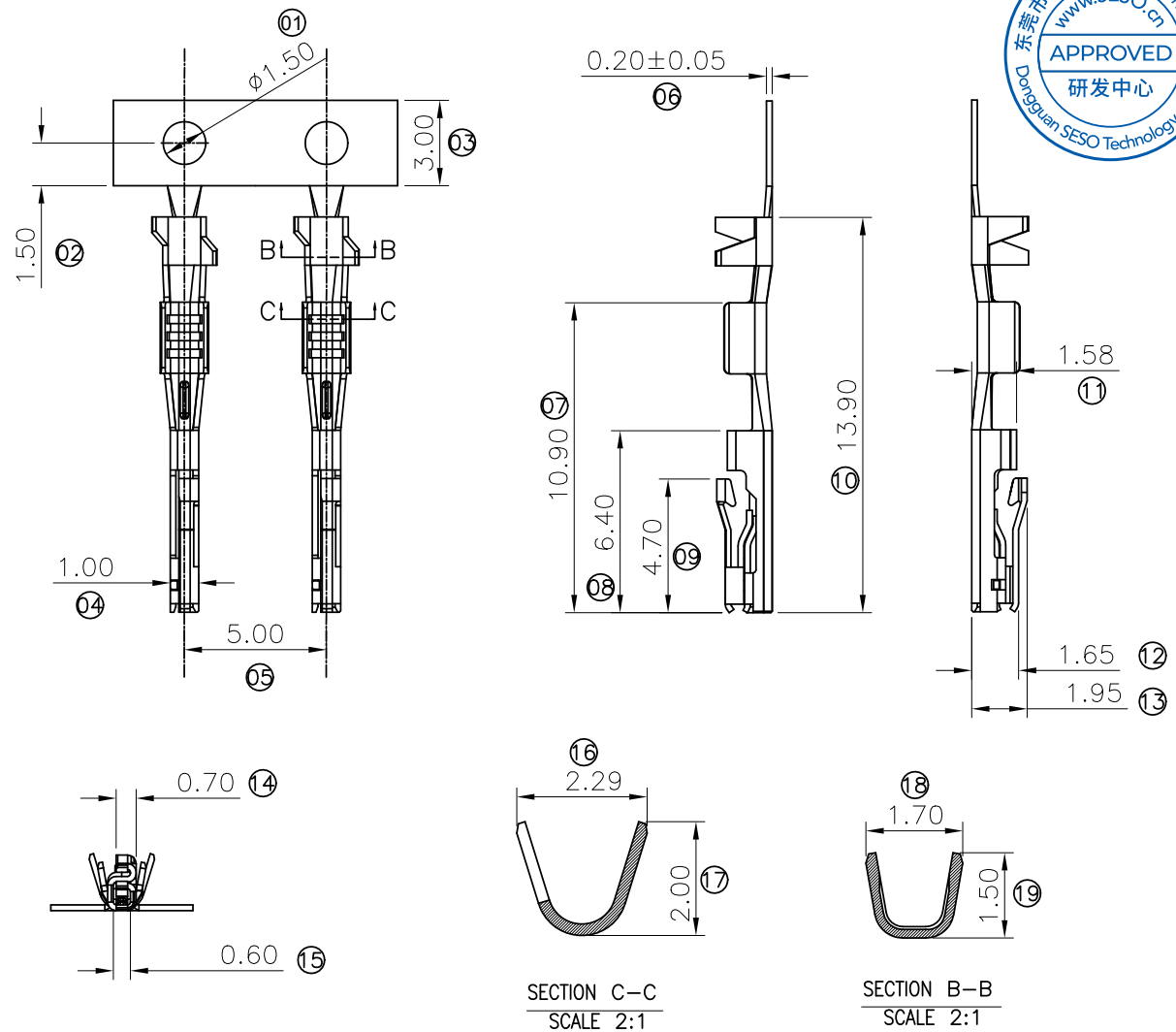
- Voltage rating: 250V AC / DC
- Current rating: 1A AC / DC
- Withstanding voltage: 650V AC/minute
- Temperature range: -40°C~+125°C
- Insulation resistance: ≥100MΩ
- Contact resistance: ≤10mΩ
- After environmental testing: ≤20mΩ
- Material: High conductivity copper
- Mates With SWB Housing: 1807AM
- Applicable wire diameter:  
AWG#22~24(0.35~0.22mm<sup>2</sup>)  
ODφ1.4mm MAX

1807 T X - H Y2 B  
① ② ③ ④ ⑤ ⑥

- ① Series No.: 1807
- ② Category: T-Terminal
- ③ Appearance type: Blank-Ordinary
- ④ Material: H-Copper Alloy
- ⑤ Plating Code: Y2-40~120u”(1~3um) TIN
- ⑥ Plating Process: B-Stamping After Plating



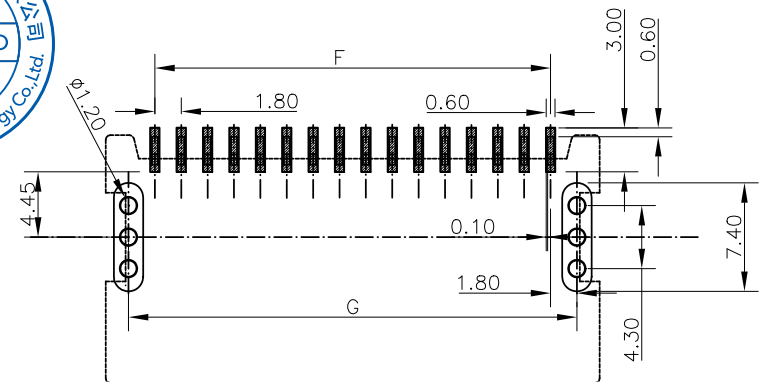
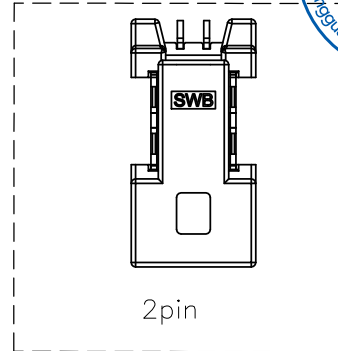
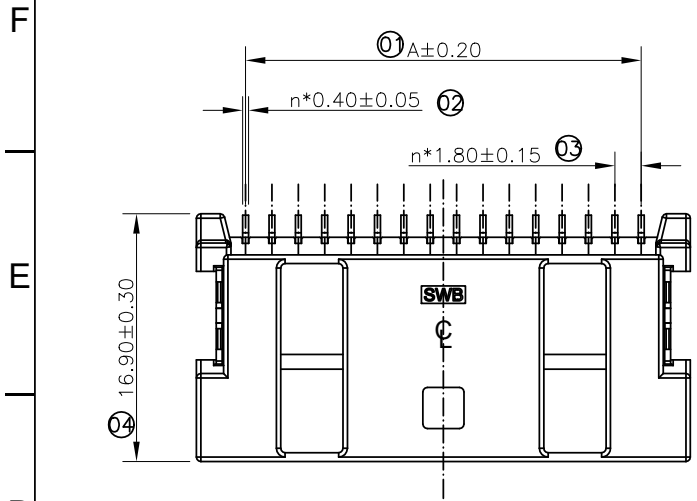
Winding direction



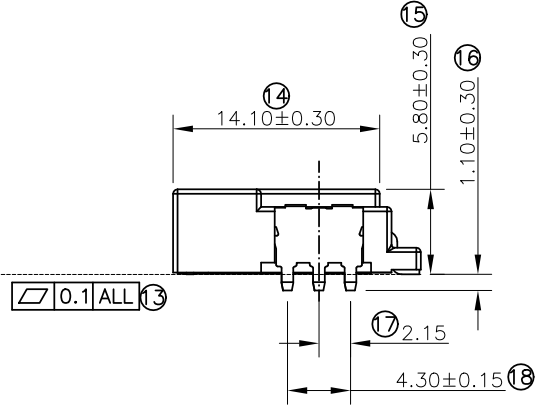
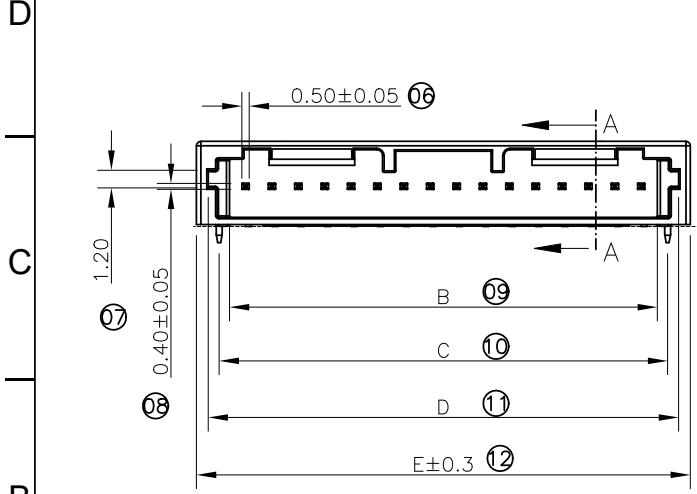
					<p>GENERAL TOLERANCE</p> <p>.X 0.35</p> <p>.XX 0.25</p> <p>.XXX±0.15</p> <p>X.' ±2'</p>				<p>PART NO. 1807TX-HY2B</p>				
					<p><b>SMS</b> 东莞市思索技术股份有限公司 Dongguan SESO Technology Co.,Ltd.</p>				<p>TITLE 1.80mm Cimp Terminal</p>				
					APPROVAL		CHECK		DRAWN		DATE		
					Meng.Yang		/		Dingping.0		2022/9/20		
DATE	REV	ECN ON.	DESCRIPTION	MODIFY	APPROVAL	PROJECT			UNIT	SCALE	SHEET	REV	NUMBER
1						① ②			mm	4:1	1/1	A0	A-000

RoHS

This products can apply to the SESO Doc NO. QA-3-04-005 of Environmental&Material Management Rules



Recommended P.C.B LAYOUT, General Tolerance ±0.05  
When mounting, Thickness of solder paste: 0.12~0.15mm



- Specifications :
- Voltage rating: 250V AC / DC
  - Current rating: 1A AC / DC
  - Withstanding voltage: 650 V AC/minute
  - Temperature range: -40°C~+125°C
  - Insulation resistance: ≥100MΩ
  - Contact resistance: ≤10mΩ
  - After environmental testing: ≤20mΩ

1807 W R S-XX-9T SW1 B R  
① ② ③ ④ ⑤ ⑥ ⑦ ⑧ ⑨

- ① Series No.: 1807
- ② Category: W-wafer
- ③ Connector Type: R- 90°
- ④ Mouting Type: S-SMT
- ⑤ Row No.-Pin No: XX-Single Row 02~16Pin
- ⑥ Plastic Material: 9T-PA9T UL94V-0
- ⑦ Plating Code: SW1-Matte Tin
- ⑧ Color: BK-Black
- ⑨ Packing: R-Reel

Dimensions/mm							
PIN	A	B	C	D	E	F	G
02	1.8	4.0	5.4	6.9	8.5	1.8	5.4
10	16.2	18.4	19.8	21.3	22.9	16.2	19.8
12	19.8	22.0	23.4	24.9	26.5	19.8	23.4
14	23.4	25.6	27.0	28.5	30.1	23.4	27.0
16	27.0	29.2	30.6	32.1	33.7	27.0	30.6

DATE	REV	ECN NO	DESCRIPTION	MODIFY	APPROVAL
1		2		4	5

GENERAL TOLERANCE				APPROVAL	CHECK	DRAWN	DATE
.X	±0.35						
.XX	±0.25						
.XXX	±0.15						
X.*	±2'						
PROJECT				Meng.Yang	/	DPin.O	2022/3/28

**SMS** 东莞市思索技术股份有限公司  
Dongguan SESO Technology Co.,Ltd.

PART NO.				
1807WRS-XXX-9TSW1BR				
TITLE				
1.80mm Pitch CONN				
UNIT	SCALE	SHEET	REV	NUMBER
mm	2:1	1/1	A0	A-000