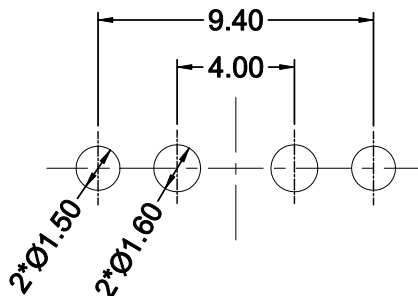
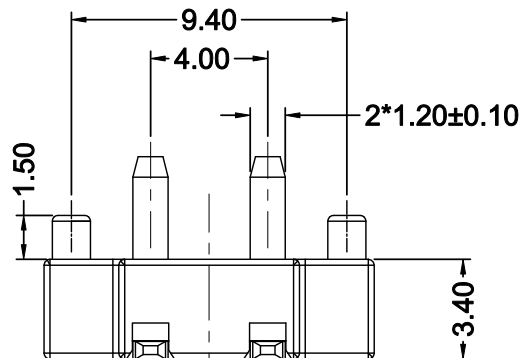


RoHS

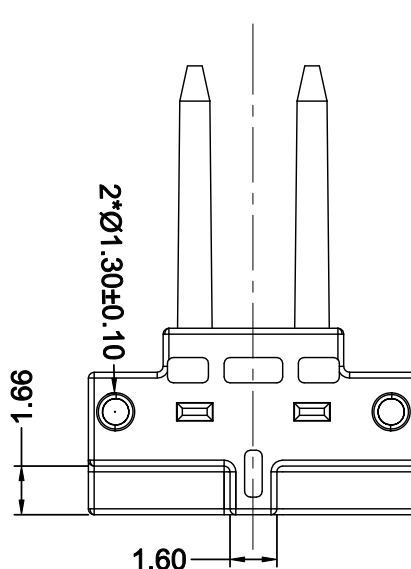
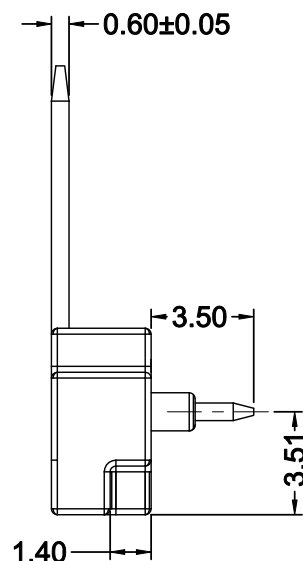
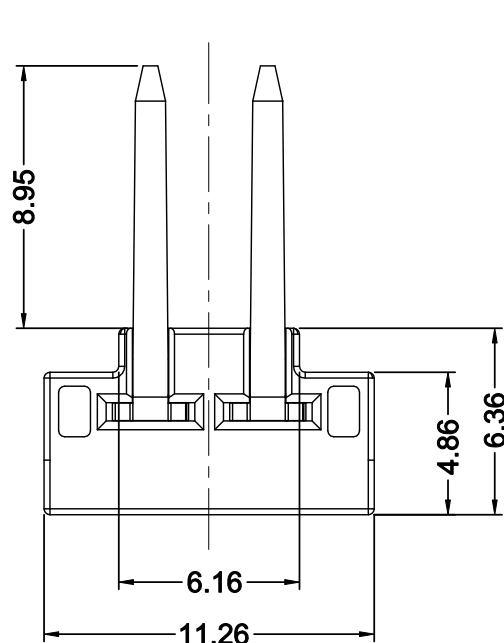
This products can apply to the SWB Doc NO. QA-3-04-005 of Environmental&Material Management Rules



Recommended P.C.B LAYOUT
General Tolerance±0.05

Specifications :

- Voltage rating: 125V Max. AC / DC
 - Current rating: 3A Max.AC / DC
 - Withstanding voltage: 500V AC/minute
 - Temperature range: -40°C~+125°C
 - Insulation resistance:≥1000MΩ
 - Contact resistance: ≤20mΩ
 - After environmental testing" ≤30mΩ
 - Material(Pin)" Brass
 - Material(BASE)" PA9T
 - Plating Code: Underplate:
 - Ni 40~120u"(1~3um)overall
 - Top plating:Sn80~200u"(2~5um)overall
- RECOMMENDED PROCESS:
THE PEAK TEMPERATURE ON THE BOARD SHALL MAINTAIN 10±1 SECONDS AT 255±5°C



4010 WR - 02 - 9T SW1 B R
① ②③ ④ ⑤ ⑥ ⑦ ⑧

- ① Series No.4010
- ② Category: W-wafer
- ③ Connector Type: R-Right Angle 90°
- ④ Row No.-Pin No:02-02PIN
- ⑤ Plastic material:9T-PA9T UL94V-0
- ⑥ Plating Code: SW1-See note
- ⑦ Color:B-Black
- ⑧ Packing:R-Reel



DATE	REV	ECN NO.	DESCRIPTION	MODIFY	APPROVAL
1					
2					

GENERAL TOLERANCE	
.X	±0.35
.XX	±0.25
.XXX	±0.15
X.°	±2°
PROJECT	

东莞市思索连接器有限公司
SWB CONNECTORS CO.,LTD

APPROVAL	CHECK	DRAWN	DATE
Robing Bi	/	Larry Yang	2021/04/14

PART NO.				
4010WR-02-9TSW1BR				
TITLE				
4.00 mm Pin Header Connectors				
UNIT	SCALE	SHEET	REV	NUMBER
mm	1:1	1/1	A0	A-013