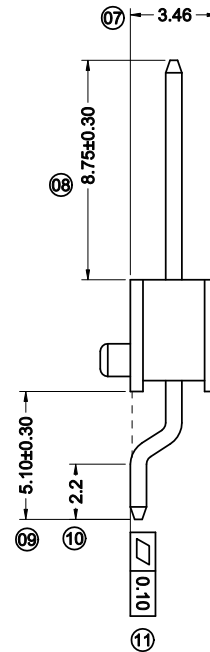
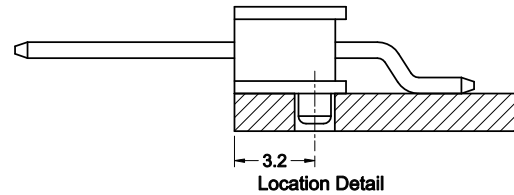
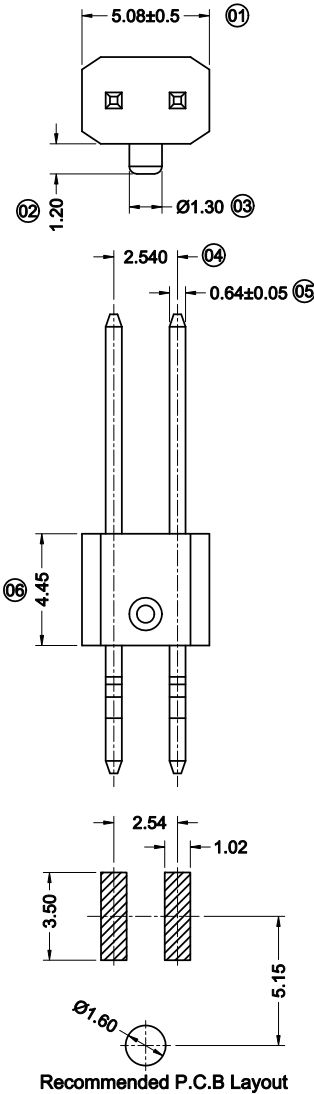


RoHS

This products can apply to the SWB Doc NO. QA-3-04-005 of Environmental&Material Management Rules



Specifications :

- Voltage rating: 250V AC / DC
- Current rating: 3A AC / DC
- Withstanding voltage: 1000V AC/minute
- Temperature range: -40°C~+105°C
- Insulation resistance: ≥1000MΩ
- Contact resistance: ≤20mΩ
- After environmental testing: ≤30mΩ
- Material(Pin): Brass
- Mates With SWB Female Header: 6501FX

6501 W R S-02 P-9T XX XX R-03 Q
① ② ③ ④ ⑤ ⑥ ⑦ ⑧ ⑨ ⑩ ⑪ ⑫

- ① Series No.
- ② Category: W-Wafer
- ③ Connector Type: R-90°
- ④ Mounting Type: S-SMT
- ⑤ Row No.-Pin No Per Row: 02-02P
- ⑥ Special No.: P-With Post
- ⑦ Material: 9T-PA9T 94V-0
- ⑧ Planting Code: SW-Matte Tin Plating
V01-All Gold Flash
- ⑨ Color: Blank-Black Color
- ⑩ Packing: R-Reel
- ⑪ 03-8.75/5.10/2.20
- ⑫ Special code: Q-Automotive Connectors

					<p>GENERAL TOLERANCE</p> <p>.X ±0.30</p> <p>.XX ±0.20</p> <p>.XXX ±0.10</p> <p>X.° ±2°</p>				<p>东莞市思索连接器有限公司</p> <p>SWB CONNECTORS CO.,LTD</p>				<p>PART NO.</p> <p>6501WRS-02P-9TXXR-03Q</p>												
					<p>APPROVAL</p> <p>Robing</p>				<p>CHECK</p> <p>Robing</p>				<p>DRAWN</p> <p>sylvia</p>				<p>DATE</p> <p>2020/10/16</p>				<p>TITLE</p> <p>2.54 mm Pin Header connectors</p>				
DATE	REV	ECN NO.	DESCRIPTION	MODIFY	APPROVAL	PROJECT		UNIT		SCALE		SHEET		REV		NUMBER									
1		2		4				mm		1:1		1/1		A		A-195									