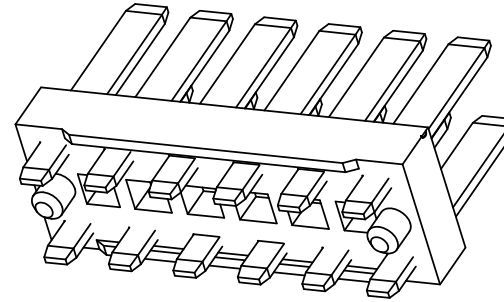
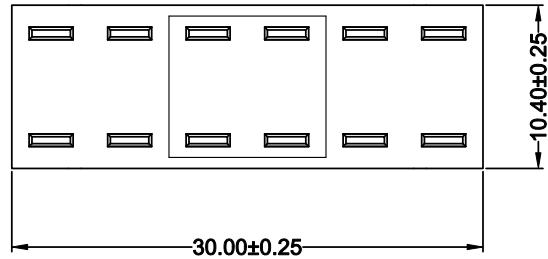


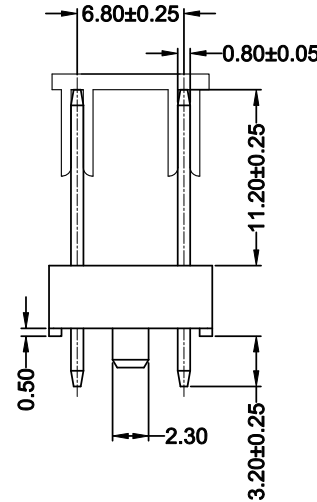
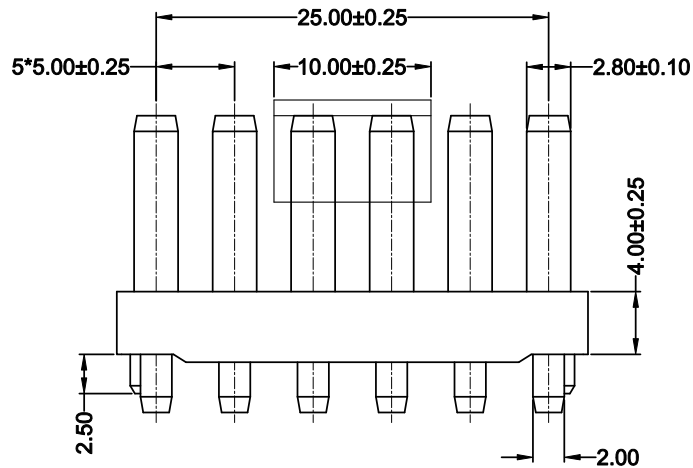
RoHS

This products can apply to the SWB Doc NO. QA-3-04-005 of Environmental&Material Management Rules



■ Specifications :

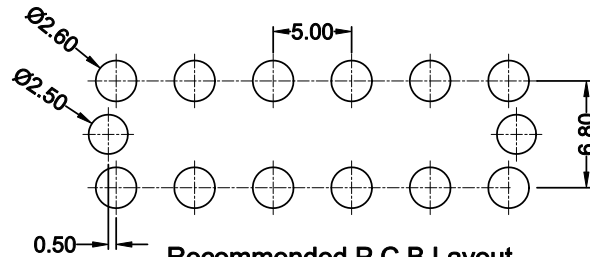
- Voltage rating: 250V Max. AC / DC
- Current rating: 3A Max.AC / DC
- Withstanding voltage: 500V AC/minute
- Temperature range: -40°C~+105°C
- Max.processing temp: 260°C for 10seconds
- Insulating material:
High temp.Thermoplast UL94V-0
- Contat material: Copper Alloy
- Plating: Matte Tin



5001 W V X - 2*XX P - 9T XX X C - 01

① ② ③ ④ ⑤ ⑥ ⑦ ⑧ ⑨ ⑩ ⑪

- ① Series No.
- ② Category: W-Wafer
- ③ Connector Type: V- 180°
- ④ Mouting Type: Blank-DIP
- ⑤ Row No.-Pin No.: 2*06-Double Row
- ⑥ Special No.: P-With Post Blank-Without Post
- ⑦ Material: 9T-PA9T 94V-0
- ⑧ Plating Category:
SW1-Matte Tin100u" Min. ; Ni 50u" Min.
- ⑨ Color:Blank-Black Color
- ⑩ Packing: C-Reel With CAP
- ⑪ 01-3.20/4.00/11.20



Recommended P.C.B Layout
General Tolerance±0.05



				GENERAL TOLERANCE		东莞市思索连接器有限公司 SWB CONNECTORS CO.,LTD				PART NO.				
				.X ±0.30						5001WV-2*06P-9TSW1C-01				
				.XX ±0.20		APPROVAL CHECK DRAWN DATE Jason Robing Larry 2021/01/13				TITLE				
				.XXX ±0.10						5.00 mm Pin Header Connectors				
				X° ±2°		PROJECT 				UNIT SCALE SHEET REV NUMBER				
2021/09/25	A1	/	增加掏料孔	卿欣	杨蒙					mm 3:1 1/1 A1 A-013				
DATE	REV	ECN NO.	DESCRIPTION	MODIFY	APPROVAL									

1 2 3 4 5 6 7 8