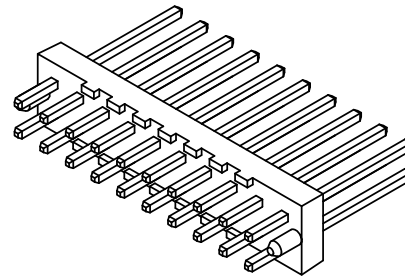
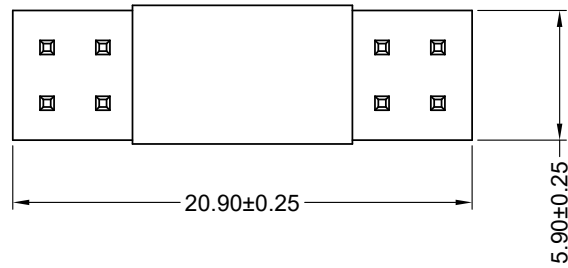


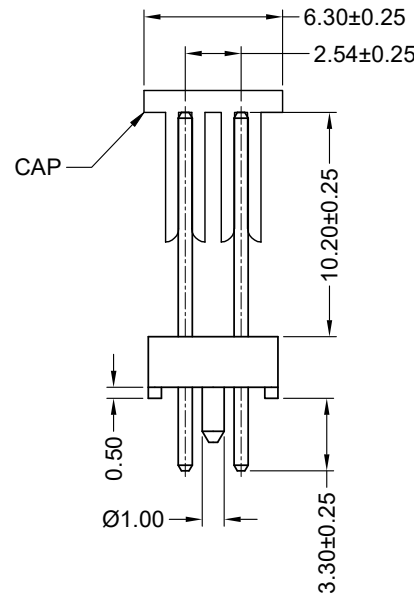
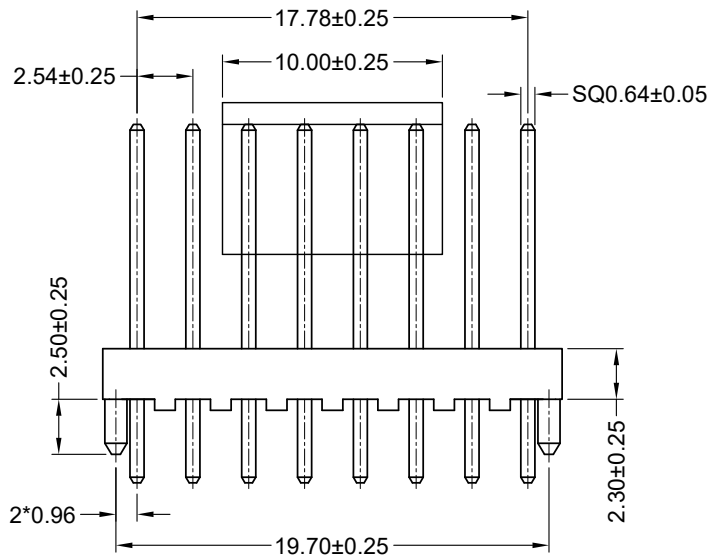
RoHS

This products can apply to the SWB Doc NO. QA-3-04-005 of Environmental&Material Management Rules



■ Specifications :

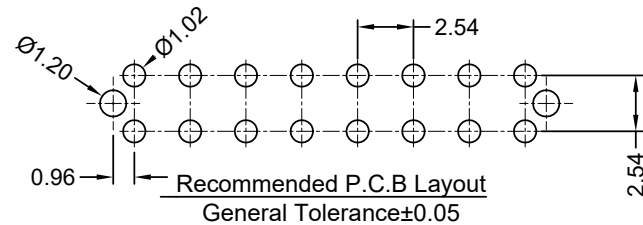
- Voltage rating: 250V Max. AC / DC
- Current rating: 3A Max.AC / DC
- Withstanding voltage: 500V AC/minute
- Temperature range: -40°C~+105°C
- Max.processing temp: 260°C for 10seconds
- Insulating material:  
High temp.Thermoplast UL94V-0
- Contat material: Copper Alloy
- Plating: Matte Tin



2553 W V X - 2\*08 P - 9T XX X C - 01

① ② ③ ④ ⑤ ⑥ ⑦ ⑧ ⑨ ⑩ ⑪

- ① Series No.
- ② Category: W-Wafer
- ③ Connector Type: V- 180°
- ④ Mouting Type: Blank-DIP
- ⑤ Row No.-Pin No.: 2\*08-Double Row
- ⑥ Special No.: P-With Post Blank-Without Post
- ⑦ Material: 9T-PA9T 94V-0
- ⑧ Plating Category:  
SW1-Matte Tin100u" Min. ; Ni 50u" Min.
- ⑨ Color:Blank-Black Color
- ⑩ Packing: C-Reel With CAP
- ⑪ 01-3.30/2.30/10.20



					<p>GENERAL TOLERANCE</p> <p>.X ±0.30</p> <p>.XX ±0.20</p> <p>.XXX ±0.10</p> <p>X.° ±2°</p>				<p>PART NO.</p> <p>2553WV-2*08P-9TSW1C-01</p>					
					<p>APPROVAL</p> <p>Jason</p>				<p>TITLE</p> <p>2.54mm Pin Header Connectors</p>					
					<p>PROJECT</p> <p>Jason</p>				<p>DATE</p> <p>2021/01/13</p>					
DATE	REV	ECN NO.	DESCRIPTION	MODIFY	APPROVAL	Jason	Robing	Larry	2021/01/13	UNIT	SCALE	SHEET	REV	NUMBER
1		2		4						mm	3:1	1/1	A0	A-013



东莞市思索连接器有限公司  
SWB CONNECTORS CO.,LTD

PART NO.  
2553WV-2\*08P-9TSW1C-01

TITLE  
2.54mm Pin Header Connectors

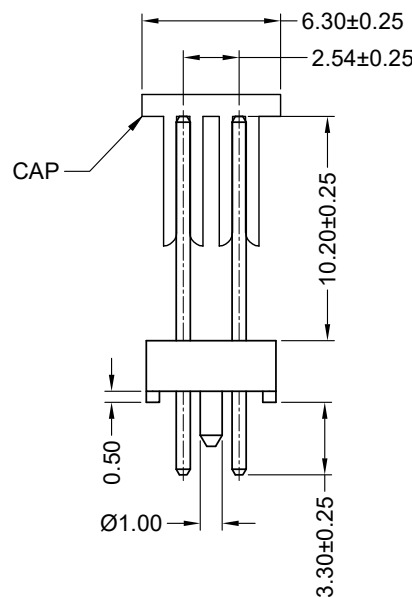
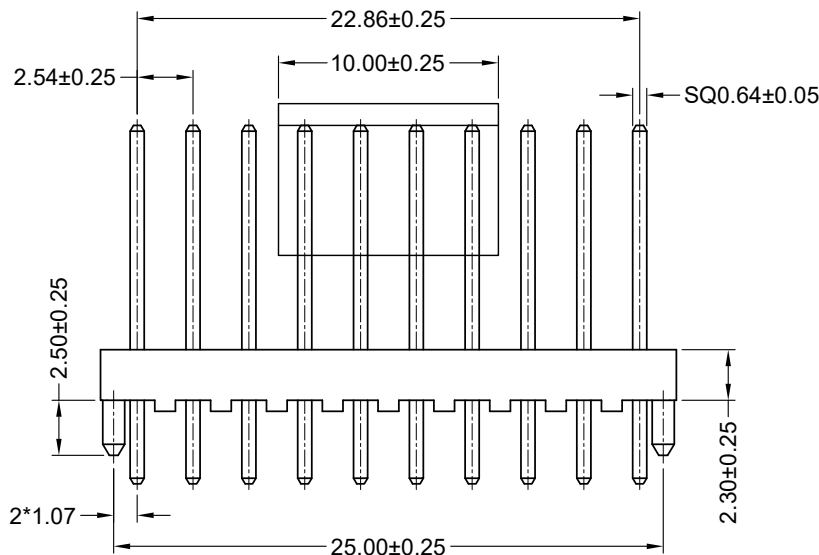
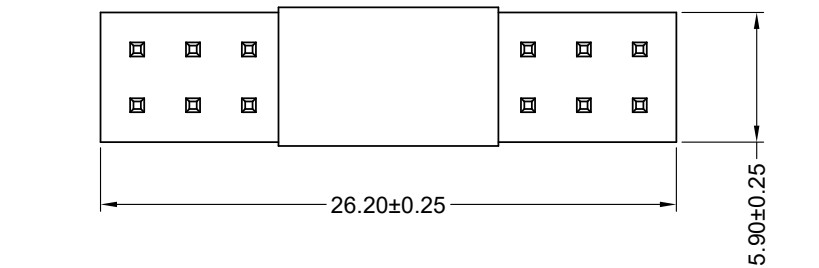
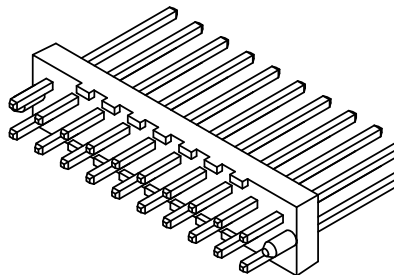
UNIT: mm, SCALE: 3:1, SHEET: 1/1, REV: A0, NUMBER: A-013

RoHS

This products can apply to the SWB Doc NO. QA-3-04-005 of Environmental&Material Management Rules

■ Specifications :

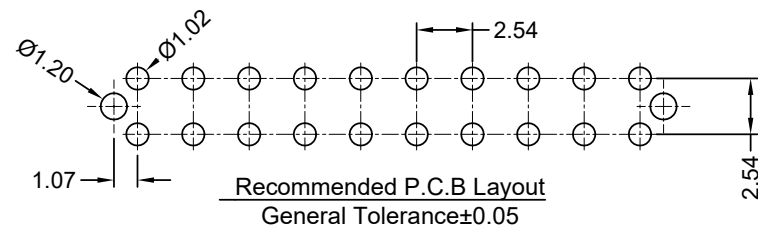
- Voltage rating: 250V Max. AC / DC
- Current rating: 3A Max.AC / DC
- Withstanding voltage: 500V AC/minute
- Temperature range: -40°C~+105°C
- Max.processing temp: 260°C for 10seconds
- Insulating material:  
High temp.Thermoplast UL94V-0
- Contat material: Copper Alloy
- Plating: Matte Tin



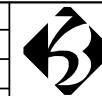
2553 W V X - 2\*10 P - 9T XX X C - 01

① ②③④ ⑤ ⑥ ⑦ ⑧ ⑨ ⑩ ⑪

- ① Series No.
- ② Category: W-Wafer
- ③ Connector Type: V- 180°
- ④ Mouting Type: Blank-DIP
- ⑤ Row No.-Pin No.: 2\*10-Double Row
- ⑥ Special No.: P-With Post Blank-Without Post
- ⑦ Material: 9T-PA9T 94V-0
- ⑧ Plating Category:  
SW1-Matte Tin100u" Min. ; Ni 50u" Min.
- ⑨ Color:Blank-Black Color
- ⑩ Packing: C-Reel With CAP
- ⑪ 01-3.30/2.30/10.20



					<p>GENERAL TOLERANCE</p> <p>.X ±0.30</p> <p>.XX ±0.20</p> <p>.XXX ±0.10</p> <p>X.° ±2°</p>				<p>东莞市思索连接器有限公司</p> <p>SWB CONNECTORS CO.,LTD</p>				<p>PART NO.</p> <p>2553WV-2*10P-9TSW1C-01</p>							
					<p>APPROVAL</p> <p>Jason</p>				<p>CHECK</p> <p>Robing</p>				<p>DRAWN</p> <p>Larry</p>				<p>DATE</p> <p>2021/01/13</p>			
					<p>PROJECT</p> <p>① ②</p>								<p>TITLE</p> <p>2.54mm Pin Header Connectors</p>							
DATE	REV	ECN NO.	DESCRIPTION	MODIFY	APPROVAL					UNIT	SCALE	SHEET	REV	NUMBER						
1										mm	3:1	1/1	A0	A-013						



东莞市思索连接器有限公司  
SWB CONNECTORS CO.,LTD

PART NO.  
2553WV-2\*10P-9TSW1C-01

TITLE  
2.54mm Pin Header Connectors

APPROVAL  
Jason

CHECK  
Robing

DRAWN  
Larry

DATE  
2021/01/13

UNIT  
mm

SCALE  
3:1

SHEET  
1/1

REV  
A0

NUMBER  
A-013