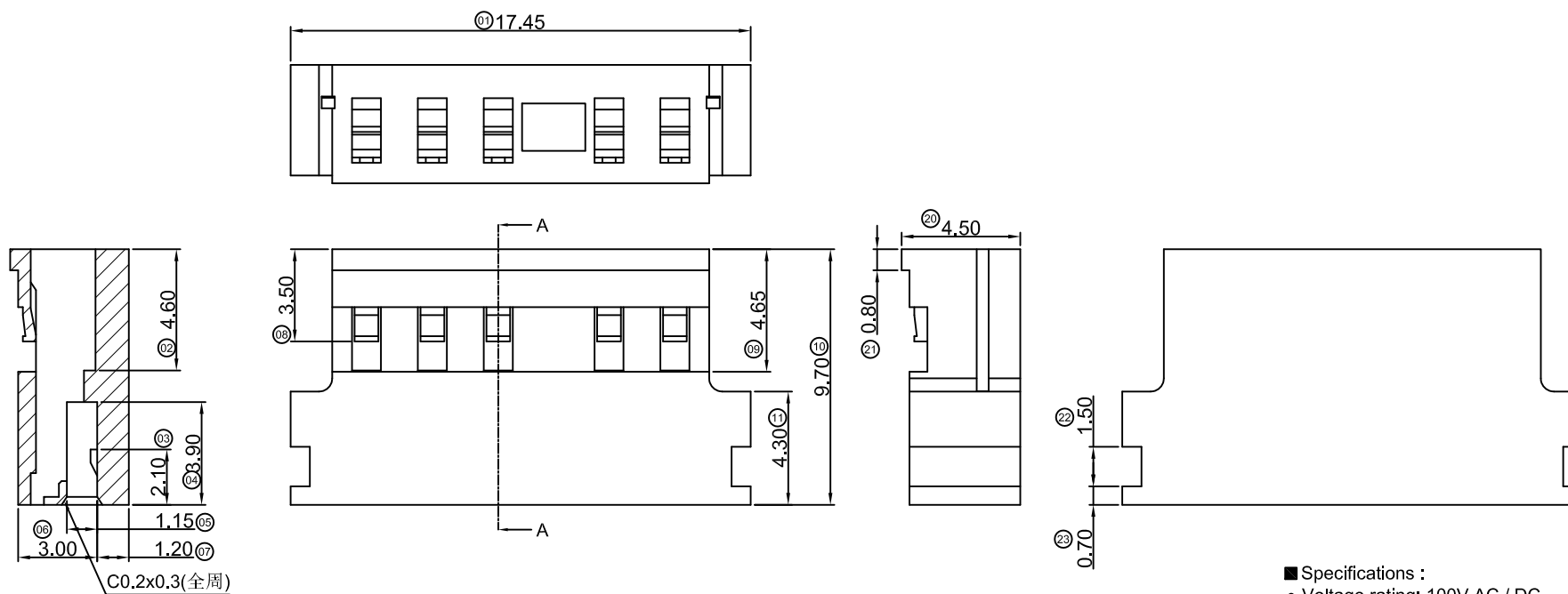
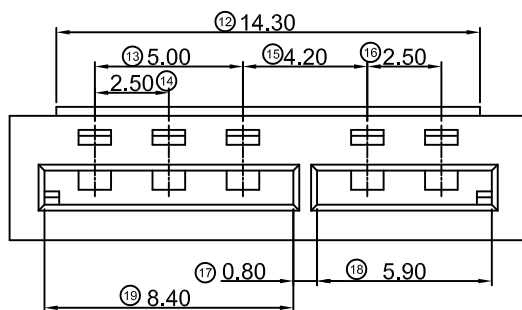


RoHS

This products can apply to the SWB Doc NO. QA-3-04-005 of Environmental&Material Management Rules




SECTION A-A



- Specifications :
- Voltage rating: 100V AC / DC
 - Current rating: 0.5A AC / DC
 - Withstanding voltage: 1000V AC/minute
 - Temperature range: -40°C~+105°C
 - Insulation resistance: ≥1000MΩ
 - Contact resistance: ≤30mΩ
 - After environmental testing: ≤50mΩ
 - Suitable SWB Terminal: 2517T

2517 H F-05-N0 NC
① ② ③ ④ ⑤ ⑥

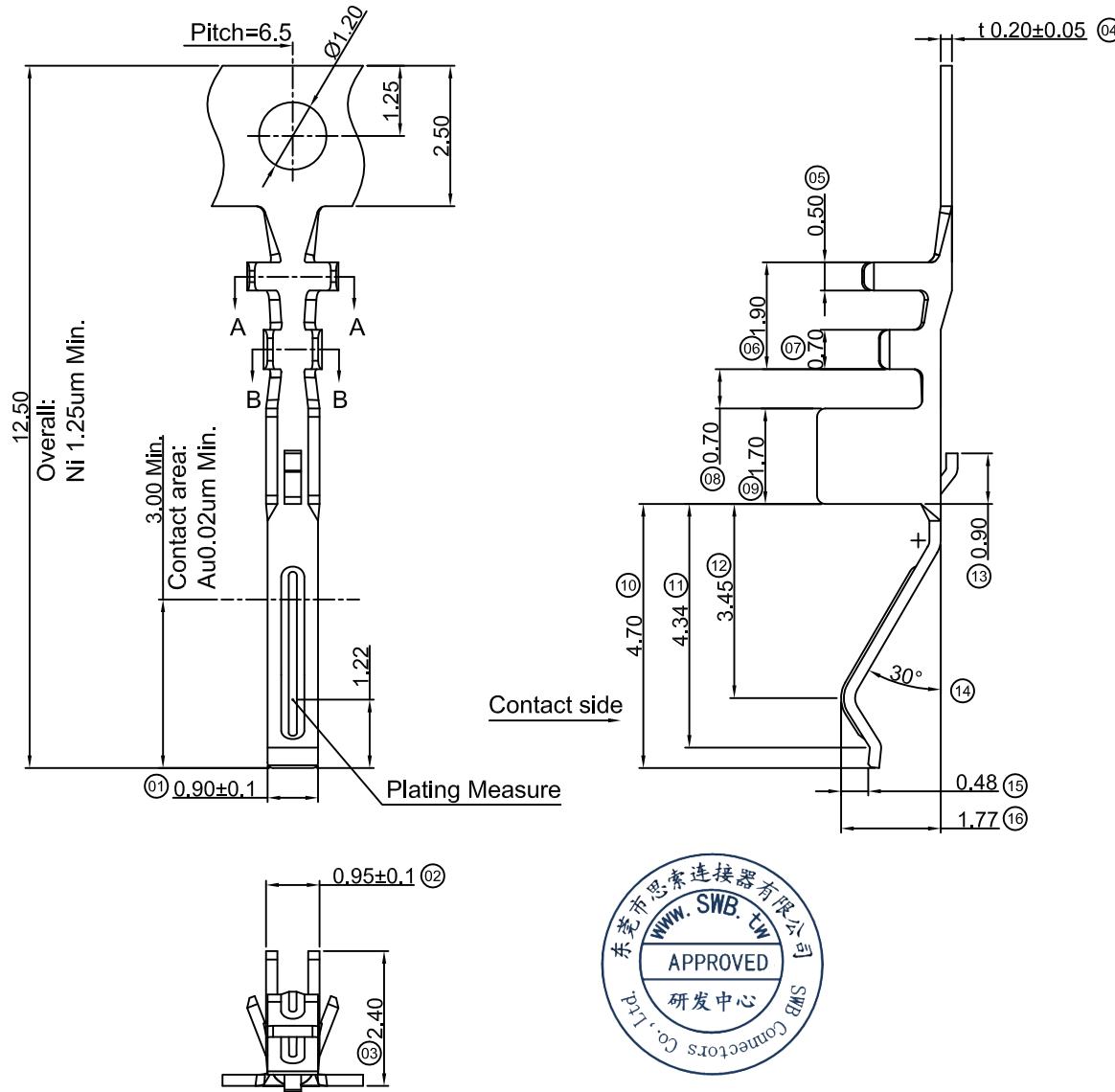
- ① Series No.
- ② Category: H-HSG
- ③ Appearance type: F-Female
- ④ Row No.-Pin No.: 05-05P
- ⑤ Material : N0-PA66 94V-0
- ⑥ Color: NC-Natural Color

				GENERAL TOLERANCE		 东莞市思索连接器有限公司 SWB CONNECTORS CO.,LTD				PART NO. 2517HF-05-N0NC				
				.X ±0.35						APPROVAL				TITLE 2.50 mm Crimp Style connectors
				.XX ±0.25		CHECK				UNIT				
				.XXX ±0.15		DRAWN				SCALE				
				X° ±2°		DATE				SHEET				
				PROJECT		ROBING				REV				
				PROJECT		ROBING				NUMBER				
				PROJECT		BIN				mm				
				PROJECT		2020/7/15				5:1				
				PROJECT		2020/7/15				1/1				
				PROJECT		2020/7/15				A				
				PROJECT		2020/7/15				A-013				
DATE	REV	ECN NO	DESCRIPTION	MODIFY	APPROVAL	ROBING	ROBING	BIN	2020/7/15					

1 2 3 4 5 6 7 8

RoHS

This products can apply to the SWB Doc NO. QA-3-04-005 of Environmental&Material Management Rules

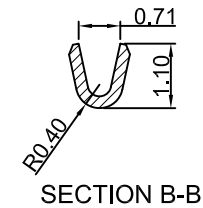
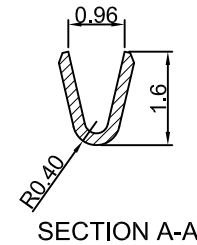


- Specifications :
- Voltage rating: 100V AC / DC
 - Current rating: 0.5A AC / DC
 - Withstanding voltage: 1000V AC/minute
 - Temperature range: -40°C~+105°C
 - Insulation resistance: ≥1000MΩ
 - Contact resistance: ≤30mΩ
 - After environmental testing: ≤50mΩ
 - Wire Size: AWG#28~30
 - Insulation O.D.: 0.8~1.0mm
 - Material(Pin): PHOSPHOR BRONZE
 - Mates With SWB Housing: 2517HF

2517 T F - P GN01

① ② ③ ④ ⑤

- ① Series No.
- ② Category:T-Terminal
- ③ Shape:F-Female
- ④ Material:P-Phosphor bronze C5210-H
- ⑤ Plating Style:GN01-Contact area: Au 0.02um Min. Overall: Ni 1.25um Min.



					<p>GENERAL TOLERANCE</p> <p>.X ±0.35</p> <p>.XX ±0.25</p> <p>.XXX ±0.15</p> <p>X° ±2°</p>				<p>东莞市思索连接器有限公司</p> <p>SWB CONNECTORS CO.,LTD</p>				<p>PART NO.</p> <p>2517TF-PGN01</p>								
					<p>APPROVAL</p> <p>ROBING</p>				<p>CHECK</p> <p>ROBING</p>				<p>DRAWN</p> <p>BIN</p>				<p>TITLE</p> <p>2.50 mm Crimp Style connectors</p>				
					<p>PROJECT</p> <p>ROBING</p>				<p>DATE</p> <p>2020/8/20</p>				<p>UNIT</p> <p>mm</p>								
													<p>SCALE</p> <p>8:1</p>								
													<p>SHEET</p> <p>1/1</p>								
													<p>REV</p> <p>A</p>								
													<p>NUMBER</p> <p>A-013</p>								

RoHS

This products can apply to the SWB Doc NO. QA-3-04-005 of Environmental&Material Management Rules

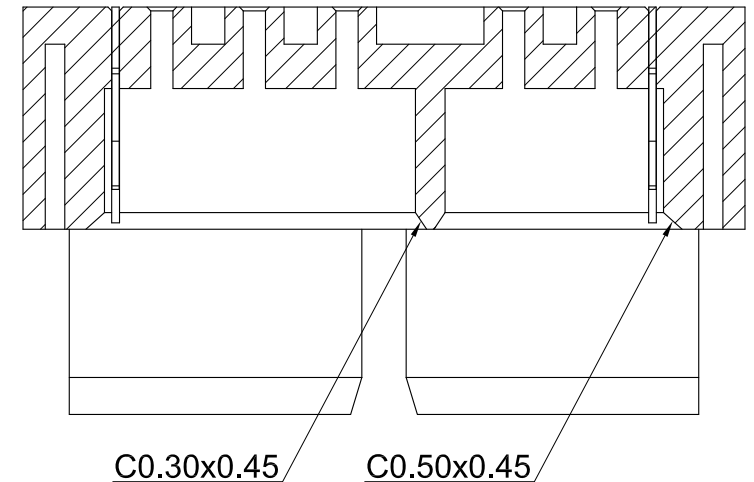


■ Specifications :

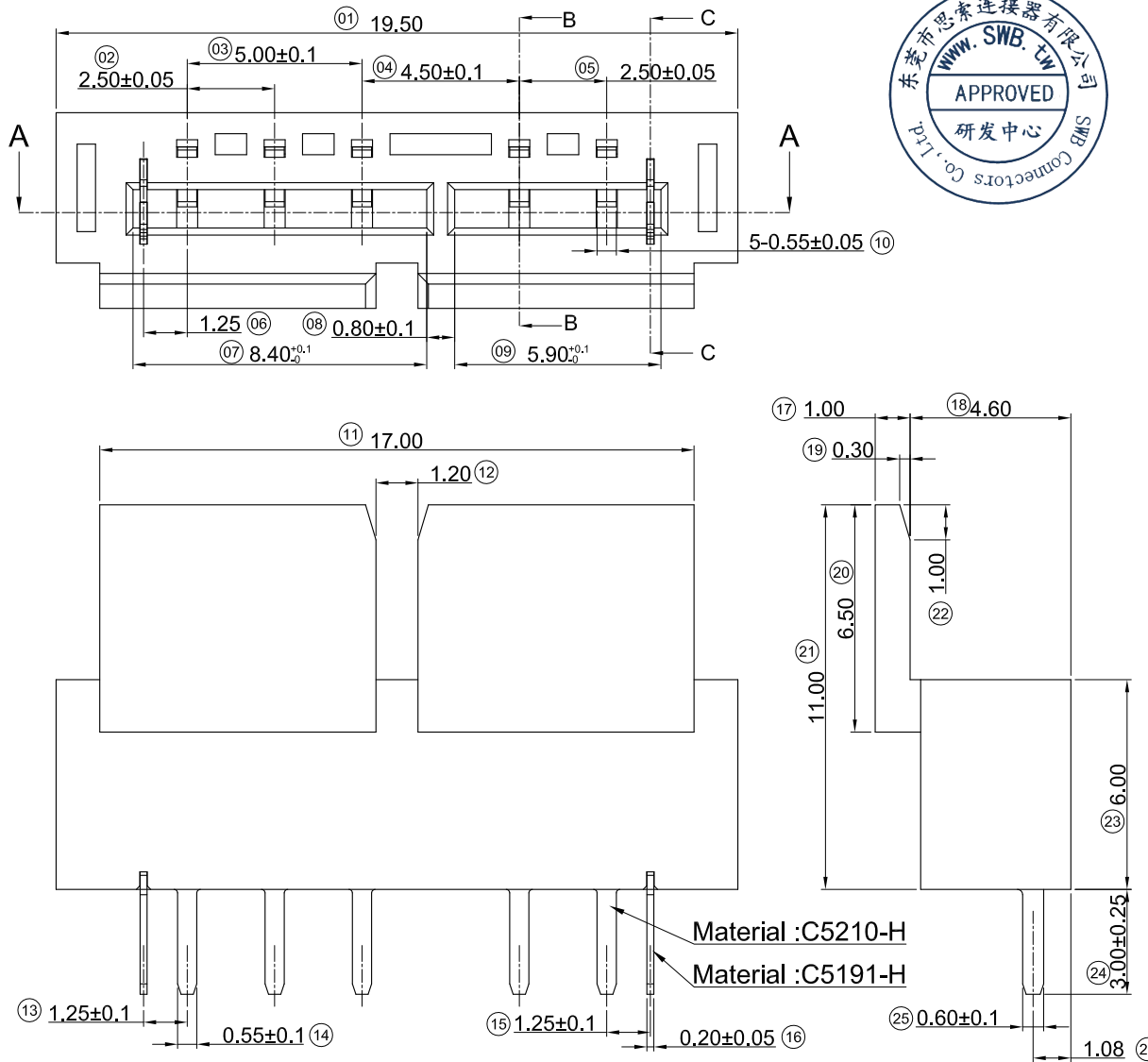
- Voltage rating: 100V AC / DC
- Current rating: 0.5A AC / DC
- Withstanding voltage: 1000V AC/minute
- Temperature range: -40°C~+105°C
- Insulation resistance: ≥1000MΩ
- Contact resistance: ≤30mΩ
- After environmental testing: ≤50mΩ

2517 W V-05-LP GN01 B G
① ② ③ ④ ⑤ ⑥ ⑦ ⑧

- ① Series No.
- ② Category:W-Wafer
- ③ Welding Board Angle: V-Straight Angle 180°
- ④ Row No.-Pin No.: 05-05P
- ⑤ Material : LP-LCP 94V-0
- ⑥ Plating Category: GN01-Contact area: Au 0.02um Min. Solder area: Ni 1.25um Min.
- ⑦ Color : B-Black
- ⑧ Packing : G-Tube



SECTION A-A



Material :C5210-H

Material :C5191-H

DATE	REV	ECN NO	DESCRIPTION	MODIFY	APPROVAL
1					
2					
3					
4					

GENERAL TOLERANCE	
.X	±0.35
.XX	±0.25
.XXX	±0.15
X.°	±2°
PROJECT	



东莞市思索连接器有限公司

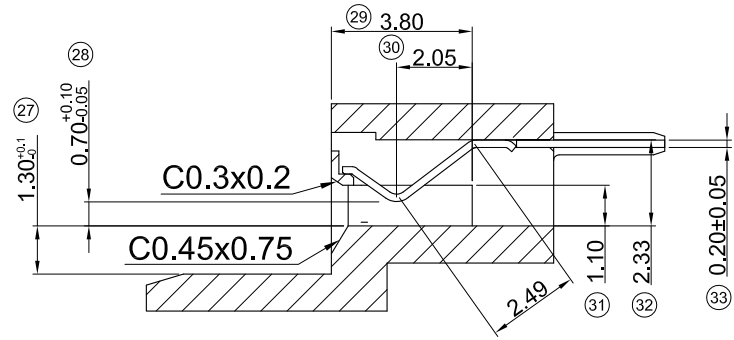
SWB CONNECTORS CO.,LTD

APPROVAL	CHECK	DRAWN	DATE
ROBING	ROBING	BIN	2021/9/29

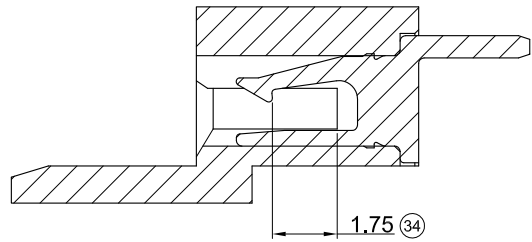
PART NO.				
2517WV-05-LPGN01BG				
TITLE				
2.50 mm Crimp Style connectors				
UNIT	SCALE	SHEET	REV	NUMBER
mm	1:1	1/2	A0	A-013

RoHS

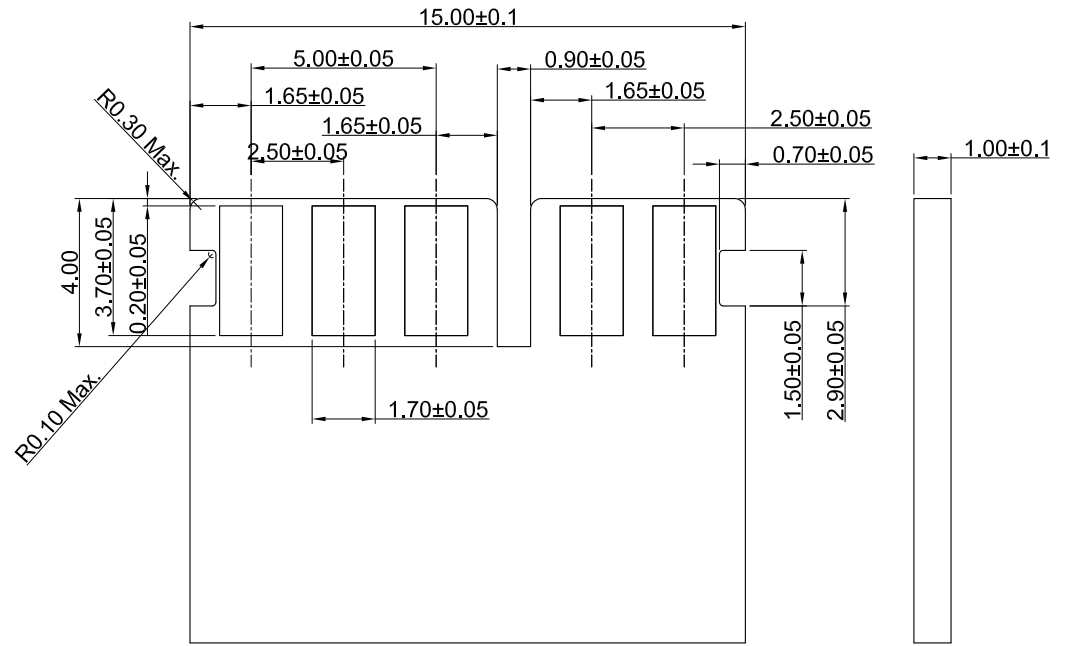
This products can apply to the SWB Doc NO. QA-3-04-005 of Environmental&Material Management Rules



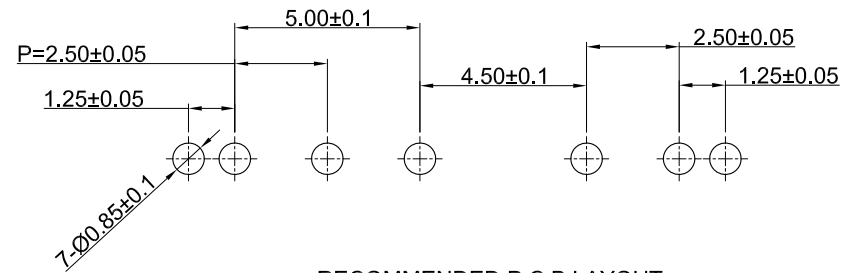
SECTION B-B




SECTION C-C



CARD SLOT 5 PIN PCB



RECOMMENDED P.C.B LAYOUT

				GENERAL TOLERANCE		 东莞市思索连接器有限公司 SWB CONNECTORS CO.,LTD				PART NO. 2517WV-05-LPGN01BG				
				.X ±0.35						TITLE 2.50 mm Crimp Style connectors				
				.XX ±0.25		APPROVAL	CHECK	DRAWN	DATE	UNIT	SCALE	SHEET	REV	NUMBER
				.XXX ±0.15		ROBING	ROBING	BIN	2021/9/29	mm	1:1	2/2	A0	A-013
				X° ±2°										
DATE	REV	ECN NO	DESCRIPTION	MODIFY	APPROVAL									

1 2 3 4 5 6 7 8

RoHS

This products can apply to the SWB Doc NO. QA-3-04-005 of Environmental&Material Management Rules

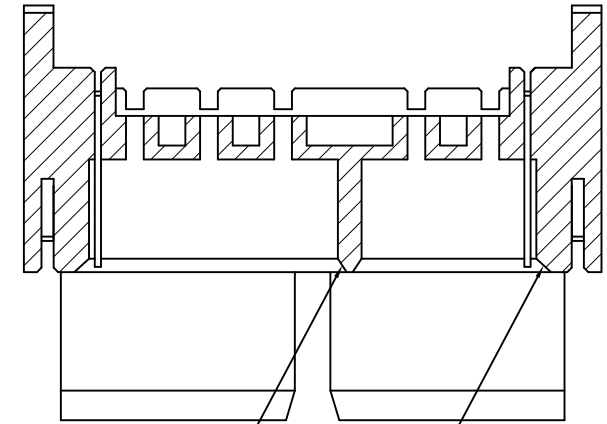


Specifications :

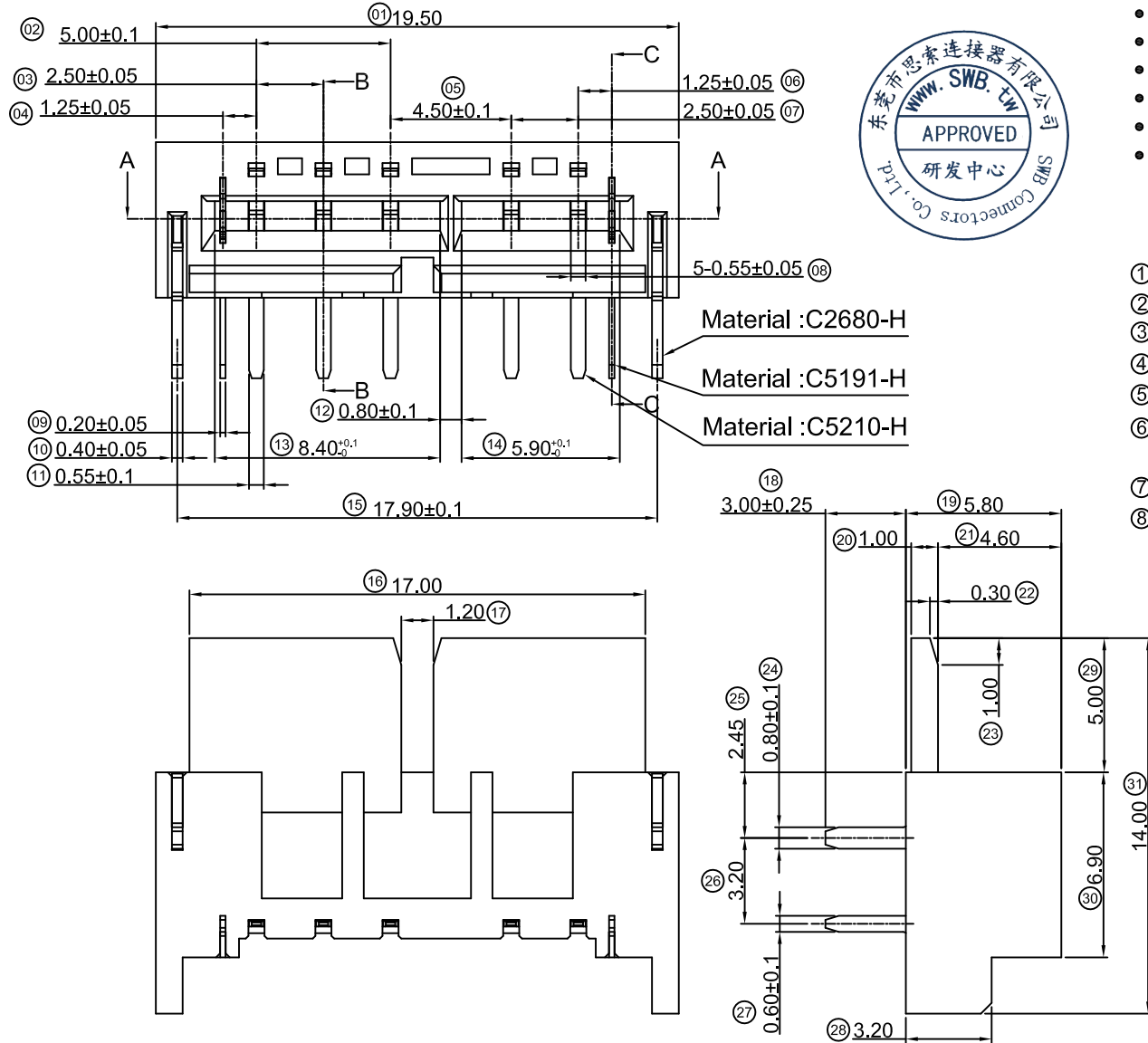
- Voltage rating: 100V AC / DC
- Current rating: 0.5A AC / DC
- Withstanding voltage: 1000V AC/minute
- Temperature range: -40°C~+105°C
- Insulation resistance: ≥1000MΩ
- Contact resistance: ≤30mΩ
- After environmental testing: ≤50mΩ

2517 W R-05-LP GN01 B G
① ② ③ ④ ⑤ ⑥ ⑦ ⑧

- ① Series No.
- ② Category:W-Wafer
- ③ Welding Board Angle: R-Right Angle 90°
- ④ Row No.-Pin No.: 05-05P
- ⑤ Material : LP-LCP 94V-0
- ⑥ Plating Category: GN01-Contact area: Au 0.02um Min.
Solder area: Ni 1.25um Min.
- ⑦ Color : B-Black
- ⑧ Packing : G-Tube



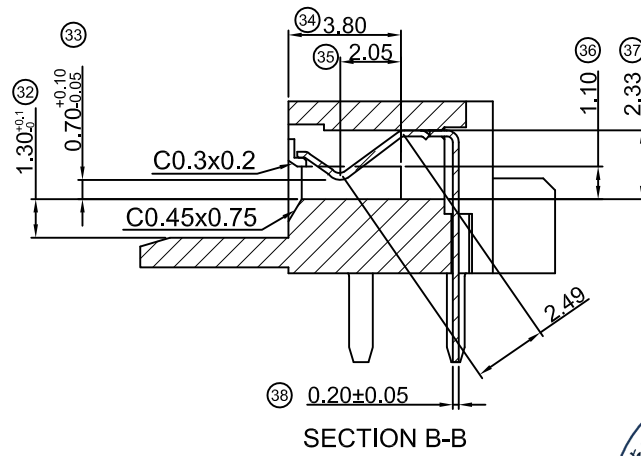
C0.30x0.45 C0.50x0.45
SECTION A-A



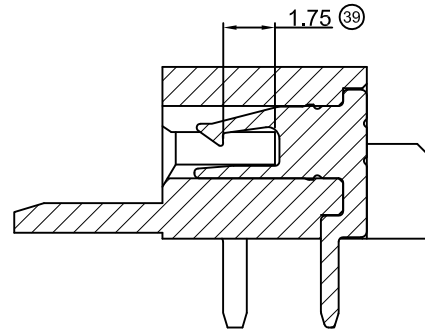
					<p>GENERAL TOLERANCE</p> <p>.X ±0.35</p> <p>.XX ±0.25</p> <p>.XXX ±0.15</p> <p>X.° ±2°</p>				<p>东莞市思索连接器有限公司</p> <p>SWB CONNECTORS CO.,LTD</p>				<p>PART NO.</p> <p>2517WR-05-LPGN01BG</p>								
					<p>APPROVAL</p> <p>ROBING</p>				<p>CHECK</p> <p>ROBING</p>				<p>DRAWN</p> <p>BIN</p>				<p>TITLE</p> <p>2.50 mm Crimp Style connectors</p>				
					<p>PROJECT</p> <p>ROBING</p>				<p>DATE</p> <p>2021/9/29</p>				<p>UNIT</p> <p>mm</p>	<p>SCALE</p> <p>1:1</p>	<p>SHEET</p> <p>1/2</p>	<p>REV</p> <p>A0</p>	<p>NUMBER</p> <p>A-013</p>				
DATE	REV	ECN NO	DESCRIPTION	MODIFY	APPROVAL																

RoHS

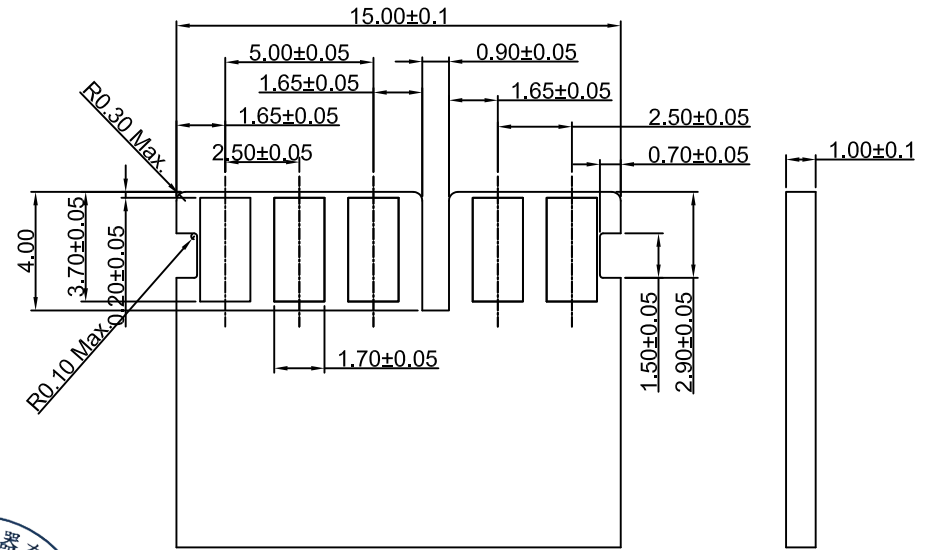
This products can apply to the SWB Doc NO. QA-3-04-005 of Environmental&Material Management Rules



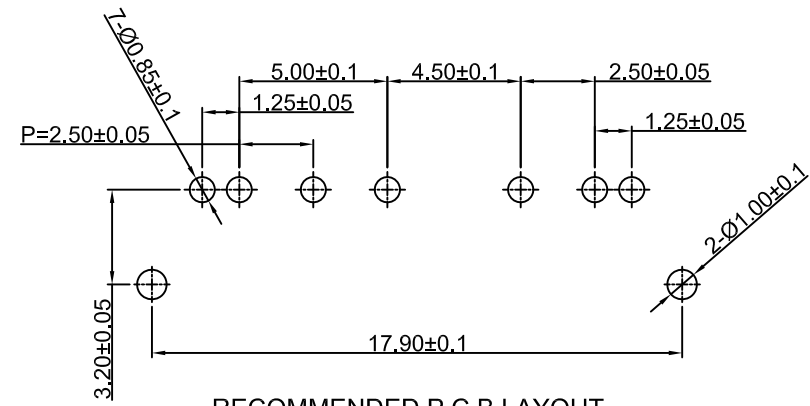
SECTION B-B



SECTION C-C



CARD SLOT 5 PIN PCB



RECOMMENDED P.C.B LAYOUT



GENERAL TOLERANCE	
.X	±0.35
.XX	±0.25
.XXX	±0.15
X.°	±2°
PROJECT	
⊕	□



东莞市思索连接器有限公司
SWB CONNECTORS CO.,LTD

PART NO.
2517WR-05-LPGN01BG

TITLE
2.50 mm Crimp Style connectors

APPROVAL	CHECK	DRAWN	DATE
ROBING	ROBING	BIN	2021/9/29

UNIT	SCALE	SHEET	REV	NUMBER
mm	1:1	2/2	A0	A-013

DATE	REV	ECN NO	DESCRIPTION	MODIFY	APPROVAL